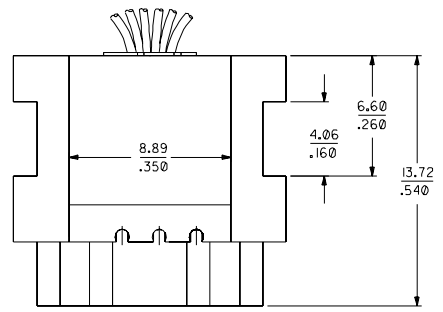
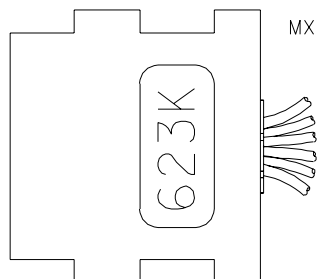
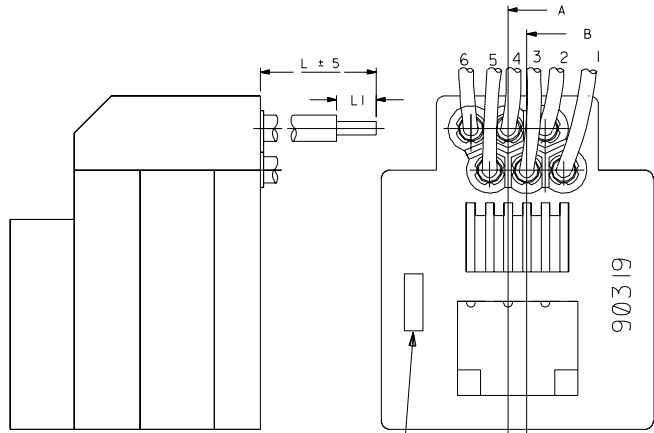
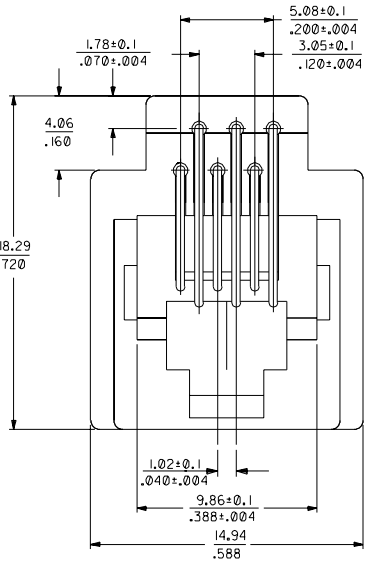


CAD FILE S90319X1.DGN SD 90319-****

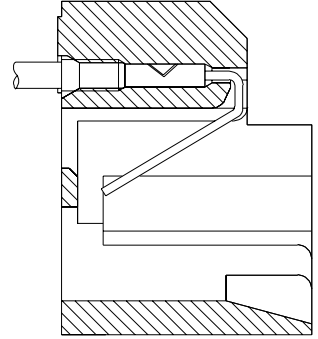
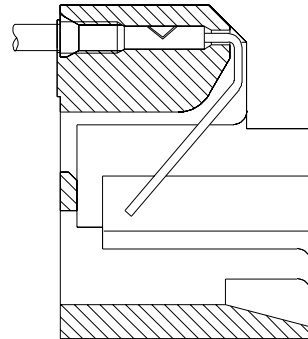
DO NOT SCALE DRAWING



NOTES :
 1. JACK TO ACCEPT STANDARD W.E. AND W.E. TYPE PLUGS.
 2. FOR DIMENSIONS CONTACT GEOMETRY, SEE ES-87032.
 3. PLATING :
 CODE 1 : 1.27µM/50µIN. MIN. HARD GOLD IN CONTACT AREA OVER 2.54µM/100µIN. MIN. NICKEL OVERALL
 CODE 2 : 0.76µM/30µIN. MIN. HARD GOLD IN CONTACT AREA OVER 2.54µM/100µIN. MIN. NICKEL OVERALL
 CODE 3 : 0.38µM/15µIN. MIN. HARD GOLD IN CONTACT AREA OVER 2.54µM/100µIN. MIN. NICKEL OVERALL
 CODE 4 : 0.127µM/5µIN. MIN. HARD GOLD IN CONTACT AREA OVER 2.54µM/100µIN. MIN. NICKEL OVERALL
 CODE 5 : 0.51µM/20µIN. MIN. HARD GOLD IN CONTACT AREA OVER 2.54µM/100µIN. MIN. NICKEL OVERALL
 4. FOR L EXCESS 500MM, SEE TOLERANCES ON PART NO TABLE.



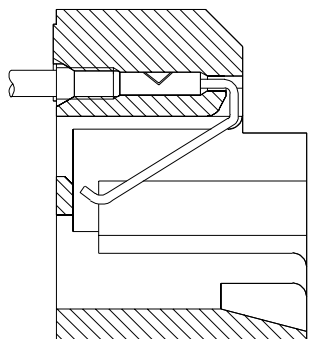
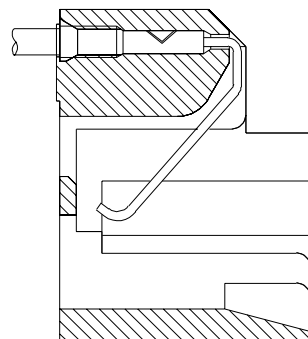
HOUSING WITH KEYS AND SLOTS



SECTION A - A

SECTION B - B

UL 1863 STRAIGHT OPTION



SECTION A - A

SECTION B - B

UL 1863 HOOK OPTION

MM
INCH

9 0 3 1 9 - * * * *

CONFIGURATION

- 0 - UL 1863 STRAIGHT OPTION
- 7 - UL 1863 HOOK OPTION

| REV | J | P |
|-----|---|---|
| SHT | 1 | 2 |

| | | | | |
|-----|----------------------|--------|----------|--------|
| J | REDUCE DWG TO 2 SHT. | S50440 | JACK | 950309 |
| H | REVISED PER ECN* | S30333 | LEE ANG | 930119 |
| G | REVISED PER ECN* | S2565 | JACK ANG | 920528 |
| F | DRAWING AS PER ECN* | S1412 | ANG JOE | 910226 |
| LTR | REVISION RECORD | ECN | DR | DATE |
| | | | CHK | |

MATERIAL :
 HOUSING : ABS 94V-0 GREY DR BEIGE
 CONTACT : PHOSPHOUR BRONZE C51000
 WIRES : UL1007 AWG26 05-1

FINISH :
 SEE ABOVE

DRAWN BY : 910226 ANG G W
 APPR'D BY : 920601 RWONG

MOLEX SINGAPORE PTE LTD
 SHEET 1 OF 2

GENERAL TOLERANCES ± 0.20/008
 DWG. NO. : SD1 90319-****
 TITLE : JACK TELEPHONE (623K) ASS'Y

REVISE ONLY ON CAD SYSTEM

DWG. NO. SD 1 90319-*****

CAD FILE S90319X2.DGN

▽

DO NOT SCALE DRAWING

| PART NO | DIM "L" | DIM "L1" | WIRE 1 | WIRE 2 | WIRE 3 | WIRE 4 | WIRE 5 | WIRE 6 | NOS OF WIRE | HOUSING | PLATING |
|------------|------------|------------|--------|--------|--------|--------|--------|--------|-------------|------------|---------|
| 90319-0001 | 80 | 10.00±2.00 | --- | YELLOW | GREEN | RED | BLACK | --- | 4 | 90319-1011 | CODE 1 |
| 90319-0002 | 80 | 10.00±2.00 | --- | --- | GREEN | RED | --- | --- | 2 | 90319-1011 | CODE 1 |
| 90319-0003 | 170 | 10.00±2.00 | --- | --- | GREEN | RED | --- | --- | 2 | 90319-1011 | CODE 1 |
| 90319-0004 | 80 | 10.00±2.00 | --- | --- | GREEN | RED | --- | --- | 2 | 90319-1012 | CODE 1 |
| 90319-0005 | 80 | 10.00±2.00 | BLUE | BLACK | RED | GREEN | YELLOW | WHITE | 6 | 90319-1011 | CODE 1 |
| 90319-0006 | 440 | 10.00±2.00 | --- | --- | GREEN | RED | --- | --- | 2 | 90319-1011 | CODE 1 |
| 90319-0007 | 30 | 4.70±1.00 | BLUE | BLACK | RED | GREEN | YELLOW | WHITE | 6 | 90319-1011 | CODE 1 |
| 90319-0008 | 200 | 3.00±0.40 | --- | --- | RED | GREEN | --- | --- | 2 | 90319-1011 | CODE 1 |
| 90319-0009 | 200 | 3.00±0.40 | --- | --- | YELLOW | BLUE | --- | --- | 2 | 90319-1011 | CODE 1 |
| 90319-0010 | 400 | 3.00±0.40 | --- | --- | RED | GREEN | --- | --- | 2 | 90319-1011 | CODE 1 |
| 90319-0021 | 80 | 10.00±2.00 | --- | YELLOW | GREEN | RED | BLACK | --- | 4 | 90319-1011 | CODE 4 |
| 90319-0022 | 80 | 10.00±2.00 | --- | --- | GREEN | RED | --- | --- | 2 | 90319-1011 | CODE 4 |
| 90319-0023 | 80 | 10.00±2.00 | BLUE | BLACK | RED | GREEN | YELLOW | WHITE | 6 | 90319-1011 | CODE 4 |
| 90319-0024 | 90 | --- | --- | YELLOW | --- | --- | BLACK | --- | 2 | 90319-1011 | CODE 4 |
| 90319-0025 | 170 | 10.00±2.00 | BLUE | BLACK | RED | GREEN | YELLOW | WHITE | 6 | 90319-1011 | CODE 4 |
| 90319-0031 | 80 | 10.00±2.00 | --- | YELLOW | GREEN | RED | BLACK | --- | 4 | 90319-1011 | CODE 2 |
| 90319-0032 | 80 | 10.00±2.00 | --- | --- | GREEN | RED | --- | --- | 2 | 90319-1011 | CODE 2 |
| 90319-0033 | 80 | 10.00±2.00 | BLUE | BLACK | RED | GREEN | YELLOW | WHITE | 6 | 90319-1011 | CODE 2 |
| 90319-0034 | --- | --- | --- | --- | --- | --- | --- | --- | --- | --- | --- |
| 90319-0035 | --- | --- | --- | --- | --- | --- | --- | --- | --- | --- | --- |
| 90319-0036 | 30 | 4.70±1.00 | BLUE | BLACK | RED | GREEN | YELLOW | WHITE | 6 | 90319-1011 | CODE 2 |
| 90319-0037 | 305 | 10.00±2.00 | --- | YELLOW | GREEN | RED | BLACK | --- | 4 | 90319-1011 | CODE 2 |
| 90319-0038 | 235 | 5.00±1.00 | --- | YELLOW | GREEN | RED | BLACK | --- | 4 | 90319-1011 | CODE 2 |
| 90319-0039 | 100 | 10.00±2.00 | --- | YELLOW | GREEN | RED | BLACK | --- | 4 | 90319-1011 | CODE 2 |
| 90319-0040 | 193 | 3.00±0.50 | BLUE | BLACK | RED | GREEN | YELLOW | WHITE | 6 | 90319-1011 | CODE 2 |
| 90319-0041 | 170 | 10.00±2.00 | --- | --- | GREEN | RED | --- | --- | 2 | 90319-1011 | CODE 2 |
| 90319-0101 | 400 | 3.00±0.40 | --- | --- | YELLOW | BLUE | --- | --- | 2 | 90319-1011 | CODE 1 |
| 90319-0102 | 105 | 2.50±0.40 | --- | YELLOW | GREEN | RED | BLACK | --- | 4 | 90319-1011 | CODE 1 |
| 90319-0103 | 50 | 10.00±2.00 | --- | YELLOW | GREEN | RED | BLACK | --- | 4 | 90319-1011 | CODE 1 |
| 90319-0104 | 40 | 4.00±1.00 | BLUE | BLACK | RED | GREEN | YELLOW | WHITE | 6 | 90319-1011 | CODE 1 |
| 90319-0105 | 80 | 2.50±0.40 | --- | YELLOW | GREEN | RED | BLACK | --- | 4 | 90319-1011 | CODE 1 |
| 90319-0106 | 100 | 5.00±0.50 | --- | YELLOW | GREEN | RED | BLACK | --- | 4 | 90319-1011 | CODE 1 |
| 90319-0107 | 91 | 6.50±0.50 | --- | --- | GREEN | RED | --- | --- | 2 | 90319-1011 | CODE 1 |
| 90319-0108 | 155 | 5.00±0.50 | --- | --- | GREEN | RED | --- | --- | 2 | 90319-1011 | CODE 1 |
| 90319-0109 | 100 | 5.00±0.50 | --- | --- | GREEN | RED | --- | --- | 2 | 90319-1011 | CODE 1 |
| 90319-0110 | 100 | 10.00±2.00 | --- | YELLOW | GREEN | RED | BLACK | --- | 4 | 90319-1011 | CODE 1 |
| 90319-0111 | 65 | 10.00±2.00 | --- | --- | GREEN | RED | --- | --- | 2 | 90319-1012 | CODE 5 |
| 90319-0112 | 2134±20.00 | 10.00±2.00 | --- | --- | GREEN | RED | --- | --- | 2 | 90319-1011 | CODE 1 |
| 90319-0113 | 450 | 10.00±2.00 | BLUE | BLACK | RED | GREEN | YELLOW | WHITE | 6 | 90319-1011 | CODE 2 |
| 90319-0114 | 170 | 10.00±2.00 | --- | YELLOW | GREEN | RED | BLACK | --- | 4 | 90319-1011 | CODE 1 |
| 90319-7001 | 200 | 5.00±1.00 | BLUE | BLACK | RED | GREEN | YELLOW | WHITE | 6 | 90319-1011 | CODE 1 |
| 90319-7002 | 80 | 10.00±2.00 | --- | --- | GREEN | RED | --- | --- | 2 | 90319-1011 | CODE 1 |

| | | | | | | | | | |
|-----|--|----------------------|--|--------|--|--------------|--|--|--|
| | | | | | | MATERIAL : | | MOLEX SINGAPORE PTE LTD SHEET 2 OF 2 | |
| | | | | | | FINISH : | | | |
| P | | REDUCE DWG TO 2 SHT. | | S50440 | | JACK | | 950309 | |
| LTR | | REVISION RECORD | | ECN | | DR | | DATE | |
| | | | | | | DRAWN BY | | CHK'D BY | |
| | | | | | | J.WAN 950309 | | SCALE | |
| | | | | | | APPR'D BY | | NTS | |
| | | | | | | | | GENERAL TOLERANCES ± 0.20/008 | |
| | | | | | | | | REV P | |
| | | | | | | | | DWG. NO. SD 1 90319-**** | |
| | | | | | | | | TITLE : JACK TELEPHONE (623K) ASS'Y | |

REVISE ONLY ON CAD SYSTEM