

08025VE Potting II

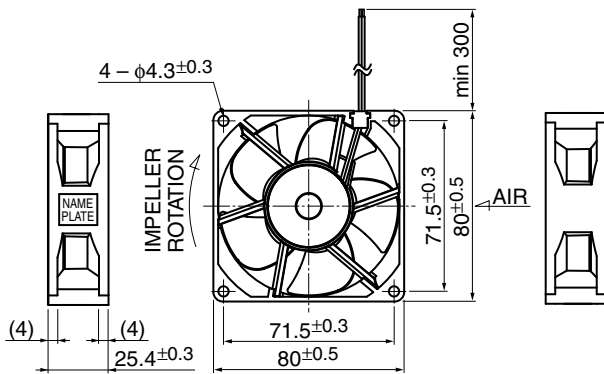
DC Axial Fan

80[□]X25^L

General Specifications

Motor Protection	Auto Restart / Polarity Protection
Insulation Resistance	10MΩ or over with a DC500V Megger
Dielectric Withstand Voltage : AC700V 1s	
Allowable Ambient	- 10°C ~ + 60°C (Operating)
Temperature Range	- 40°C ~ + 70°C (Storage)
	non-condensing environment
IP Code	IP68

Outline



* Outline is C (Rib) type.

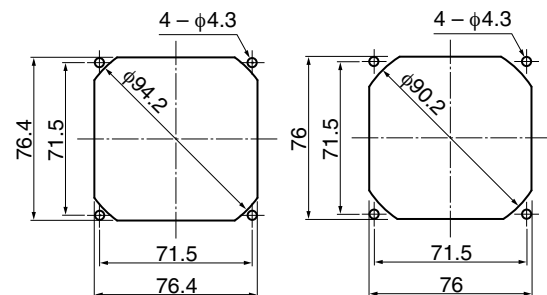
Expected Life ※ Failure Rate: 10% (L10 Life)

60°C 40,000 (Hours)

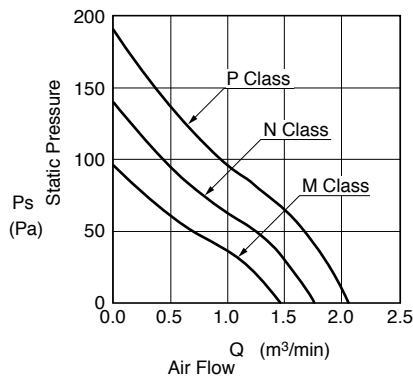
Panel Out-cuts

(Inlet Side)

(Outlet Side)



Characteristic Curves



Material

Casing	: Plastic (Black) UL94V-0
Impeller	: Plastic (Black) UL94V-0
Bearing	: Ball Bearing
Lead Wire	: UL3385 AWG26 + : Red, - : Black

Specifications

□ = Casing Form --- C: Rib Type, G: Flange Type

Model	Product No.	Rating Voltage	Operating Voltage	Current	Input Power	Speed	Max. Air Flow	Max. Static Pressure	Noise	Mass	
		(V)	(V)	(A)*1	(W)*1	(min ⁻¹)*1	(m ³ /min)*1 (CFM)*1	(Pa)*1 (In H ₂ O)*1	(dB)*1	(g)	
08025VE-12M-□AD-	0	12	7 ~ 13.8	0.23	2.76	5000	1.48	96.8	0.38	120	
08025VE-12N-□AD-	0			0.36	4.32	6000	1.77	139.4	0.56		47.0
08025VE-12P-□AD-	0			0.57	6.84	7000	2.07	189.6	0.75		53.0
08025VE-24M-□AD-	0	24	14.0 ~ 26.4	0.12	2.88	5000	1.48	96.8	0.38		
08025VE-24N-□AD-	0			0.20	4.80	6000	1.77	139.4	0.56		47.0
08025VE-24P-□AD-	0			0.28	6.72	7000	2.07	189.6	0.75		53.0

Rotation: Clockwise as seen from the spoke side
 Airflow Outlet: Spoke side

*1: Average Values in Free Air