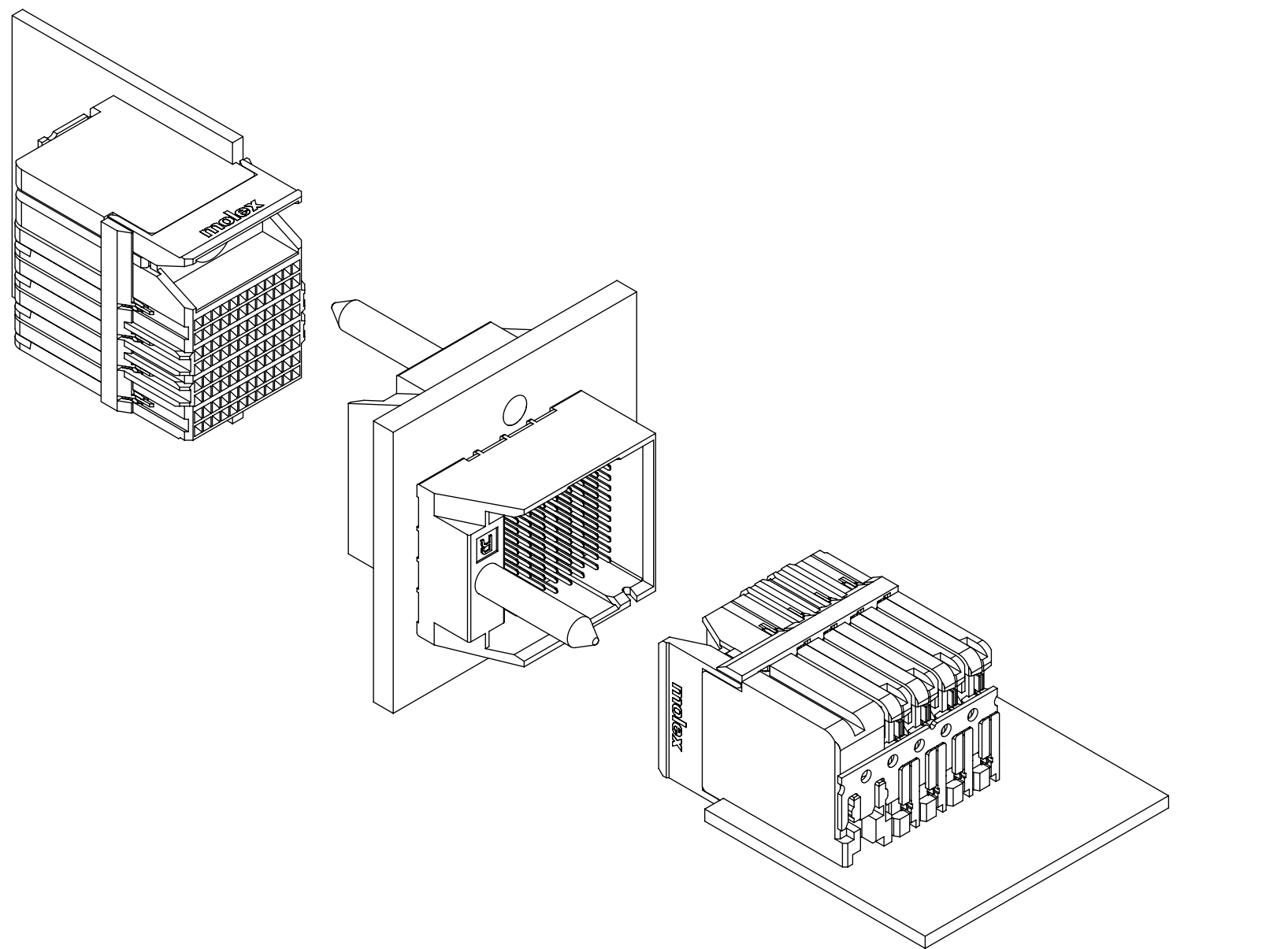




MATERIAL NUMBER	# OF COLUMNS	# OF DIFF PAIR	MODULE TYPE	DIM "A"	DIM "B"	DIM "C"
76845-*60*	6	24	NO ENDWALL	18.9	10.00	10.40
76845-*60*	6	24	WITH ENDWALL	20.3	10.00	10.40
76845-*80*	8	32	NO ENDWALL	22.9	14.05	14.45
76845-*80*	8	32	WITH ENDWALL	24.3	14.05	14.45
76845-*10*	10	40	NO ENDWALL	27.0	18.10	18.50
76845-*10*	10	40	WITH ENDWALL	28.4	18.10	18.50

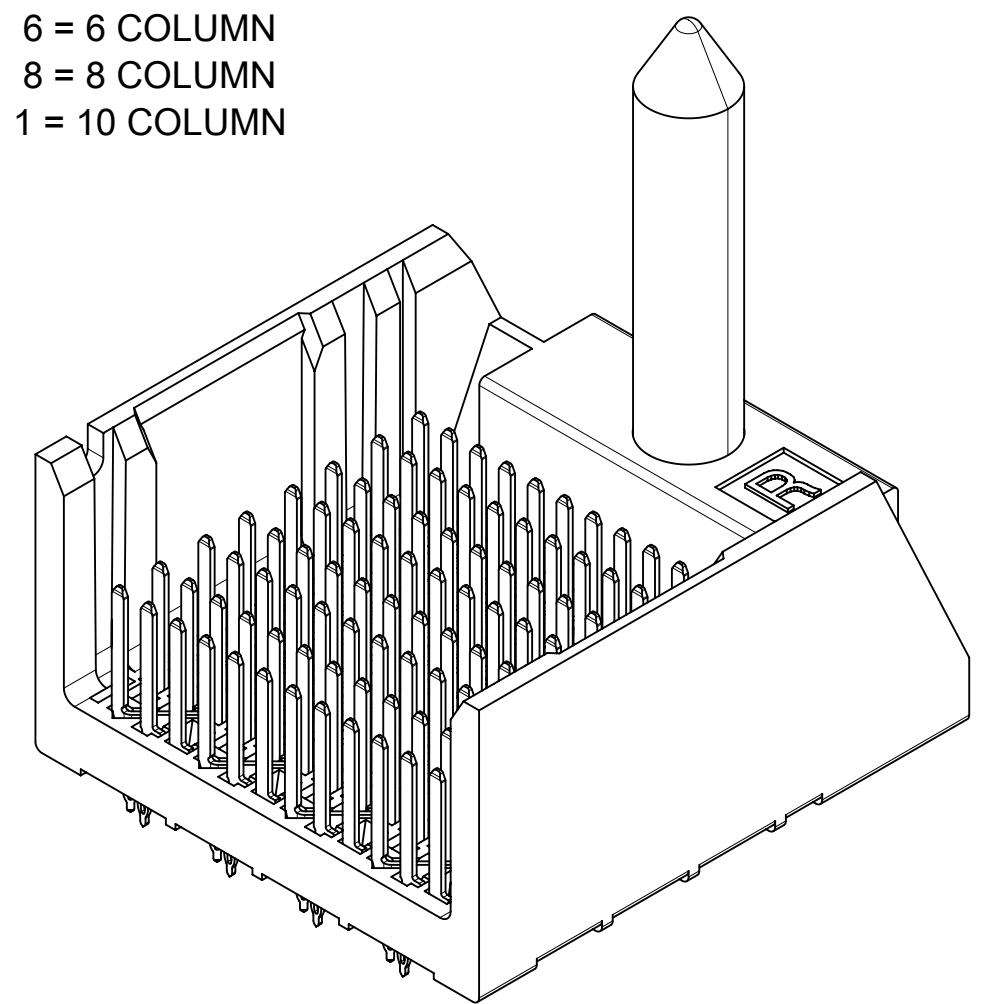
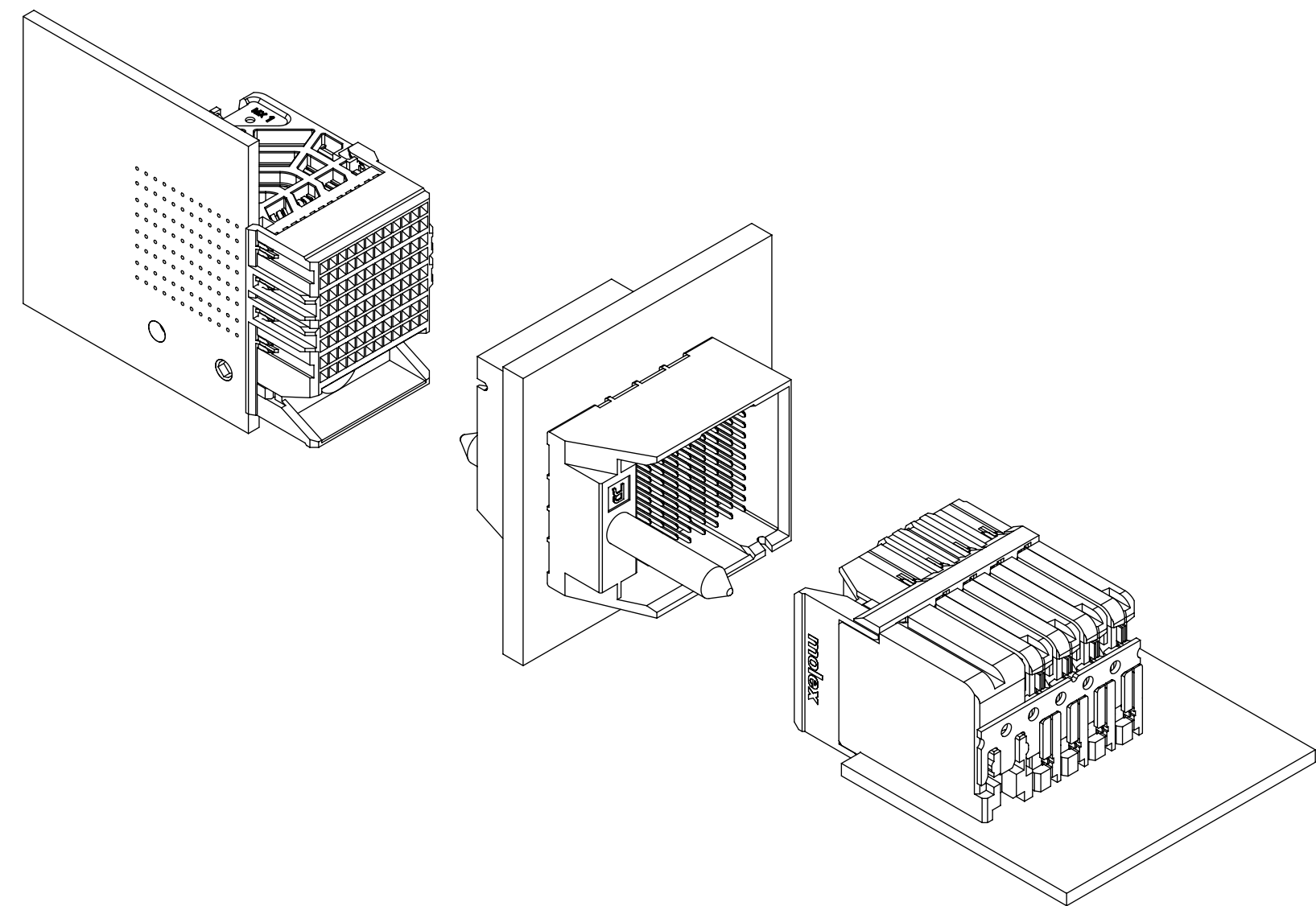


**76845-\*\*0\***

MODULE & TAIL PLATING TYPE  
 4 = GUIDE RIGHT NO ENDWALL, TIN/LEAD  
 5 = GUIDE RIGHT NO ENDWALL, TIN  
 8 = GUIDE RIGHT ENDWALL, TIN/LEAD  
 9 = GUIDE RIGHT ENDWALL, TIN

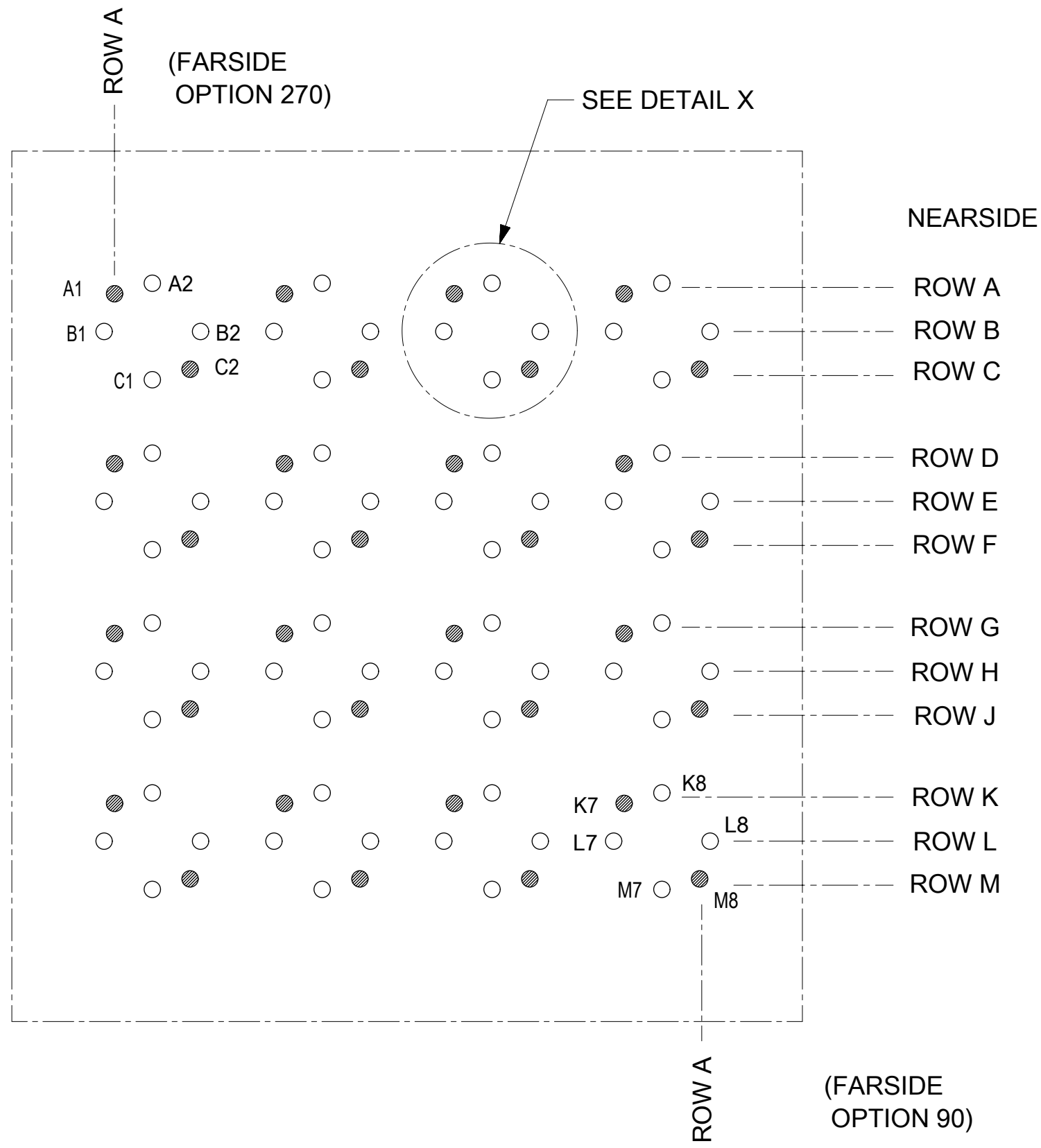
PIN LENGTH (P)  
 4 = 4.90, (0.46 PTH)  
 5 = 5.50, (0.46 PTH)  
 7 = 4.90, (0.39 PTH)  
 8 = 5.50, (0.39 PTH)

# OF COLUMNS  
 6 = 6 COLUMN  
 8 = 8 COLUMN  
 1 = 10 COLUMN

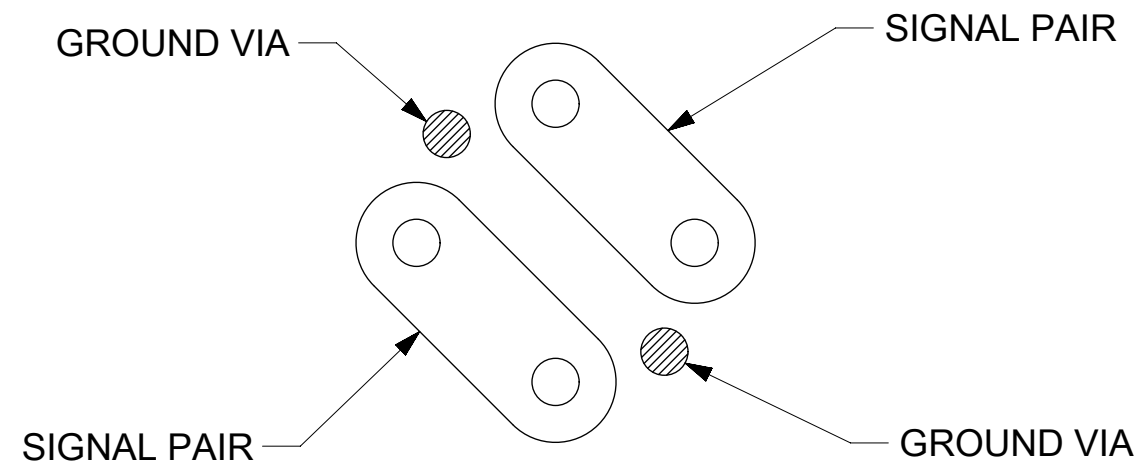


OPEN END OPTION

QUALITY SYMBOLS	THIS DRAWING CONTAINS INFORMATION THAT IS PROPRIETARY TO MOLEX ELECTRONIC TECHNOLOGIES, LLC AND SHOULD NOT BE USED WITHOUT WRITTEN PERMISSION										
▽ = 0	REMASTERED TO NX EC NO: 123322 DRWN: NIMUNIVENKATA CHKD: PRAMASWAMY REV / APPR: PRAMASWAMY	2017/09/20 2017/10/16 2017/10/18	GENERAL TOLERANCES (UNLESS SPECIFIED)		DIMENSION UNITS	SCALE	<b>molex</b>				
▽ = 0			ANGULAR TOL ± 0.5 °		mm	1:1					
▽ = 0			4 PLACES ±		DRWN BY	DATE	IMPACT 4 PAIR HEADER ORTHOGONAL ASSEMBLY GUIDE RIGHT SALES DWG				
▽ = 0			3 PLACES ±		ARIZVI01	2013/04/04					
▽ = 0			2 PLACES ± 0.13		CHK'D BY	DATE	PRODUCT CUSTOMER DRAWING				
▽ = 0			1 PLACE ± 0.25		PRAMASWAMY	2017/10/16					
▽ = 0			0 PLACES ±		APPR BY	DATE	SERIES MATERIAL NUMBER CUSTOMER 76845 SEE CHART GENERAL MARKET				
▽ = 0			DRAFT WHERE APPLICABLE MUST REMAIN WITHIN DIMENSIONS		TELO	2015/03/24					
▽ = 0					DRAWING SIZE	THIRD ANGLE PROJECTION	DOCUMENT NUMBER		DOC TYPE	DOC PART	SHEET NUMBER
▽ = 0					C		SD-76845-003		PSD	001	2 OF 3



MIDPLANE PCB LAYOUT



DETAIL X  
SCALE 16:1

### ORTHO PIN MAPPING

#### OPTION 270 (NEARSIDE - FARSIDE)

(A1-A1)	A2-B1	(A3-D1)	A4-E1	(A5-G1)	A6-H1	(A7-K1)	A8-L1
B1-A2	B2-C1	B3-D2	B4-F1	B5-G2	B6-J1	B7-K2	B8-M1
C1-B2	(C2-C2)	C3-E2	(C4-F2)	C5-H2	(C6-J2)	C7-L2	(C8-M2)
(D1-A3)	D2-B3	(D3-D3)	D4-E3	(D5-G3)	D6-H3	(D7-K3)	D8-L3
E1-A4	E2-C3	E3-D4	E4-F3	E5-G4	E6-J3	E7-K4	E8-M3
F1-B4	(F2-C4)	F3-E4	(F4-F4)	F5-H4	(F6-J4)	F7-L4	(F8-M4)
(G1-A5)	G2-B5	(G3-D5)	G4-E5	(G5-G5)	G6-H5	(G7-K5)	G8-L5
H1-A6	H2-C5	H3-D6	H4-F5	H5-G6	H6-J5	H7-K6	H8-M5
J1-B6	(J2-C6)	J3-E6	(J4-F6)	J5-H6	(J6-J6)	J7-L6	(J8-M6)
(K1-A7)	K2-B7	(K3-D7)	K4-E7	(K5-G7)	K6-H7	(K7-K7)	K8-L7
L1-A8	L2-C7	L3-D8	L4-F7	L5-G8	L6-J7	L7-K8	L8-M7
M1-B8	(M2-C8)	M3-E8	(M4-F8)	M5-H8	(M6-J8)	M7-L8	(M8-M8)

### ORTHO PIN MAPPING

#### OPTION 90 (NEARSIDE - FARSIDE)

(A1-M8)	A2-L8	(A3-J8)	A4-H8	(A5-F8)	A6-E8	(A7-C8)	A8-B8
B1-M7	B2-K8	B3-J7	B4-G8	B5-F7	B6-D8	B7-C7	B8-A8
C1-L7	(C2-K7)	C3-H7	(C4-G7)	C5-E7	(C6-D7)	C7-B7	(C8-A7)
(D1-M6)	D2-L6	(D3-J6)	D4-H6	(D5-F6)	D6-E6	(D7-C6)	D8-B6
E1-M5	E2-K6	E3-J5	E4-G6	E5-F5	E6-D6	E7-C5	E8-A6
F1-L5	(F2-K5)	F3-H5	(F4-G5)	F5-E5	(F6-D5)	F7-B5	(F8-A5)
(G1-M4)	G2-L4	(G3-J4)	G4-H4	(G5-F4)	G6-E4	(G7-C4)	G8-B4
H1-M3	H2-K4	H3-J3	H4-G4	H5-F3	H6-D4	H7-C3	H8-A4
J1-L3	(J2-K3)	J3-H3	(J4-G3)	J5-E3	(J6-D3)	J7-B3	(J8-A3)
(K1-M2)	K2-L2	(K3-J2)	K4-H2	(K5-F2)	K6-E2	(K7-C2)	K8-B2
L1-M1	L2-K2	L3-J1	L4-G2	L5-F1	L6-D2	L7-C1	L8-A2
M1-L1	(M2-K1)	M3-H1	(M4-G1)	M5-E1	(M6-D1)	M7-B1	(M8-A1)

NOTE: PINOUTS SHOWN IN BALLOONS ARE GROUNDS.  
PINOUTS SHOWN ARE FOR SQUARE (8 COLUMN) PATTERN ONLY.

QUALITY SYMBOLS	THIS DRAWING CONTAINS INFORMATION THAT IS PROPRIETARY TO MOLEX ELECTRONIC TECHNOLOGIES, LLC AND SHOULD NOT BE USED WITHOUT WRITTEN PERMISSION		DIMENSION UNITS mm	SCALE 4:1	<b>molex</b>  IMPACT 4 PAIR HEADER ORTHOGONAL ASSEMBLY GUIDE RIGHT SALES DWG
▽ = 0	REMASTERED TO NX EC NO: 123922 DRWN: NIMUNIVENKATA 2017/09/20 CHKD: PRAMASWAMY 2017/10/16 REV APPR: PRAMASWAMY 2017/10/18	GENERAL TOLERANCES (UNLESS SPECIFIED)	DRWN BY ARIZVI01	DATE 2013/04/04	
▽ = 0		ANGULAR TOL ± 0.5 °	CHKD BY PRAMASWAMY	DATE 2017/10/16	
▽ = 0		4 PLACES ±	APPR BY TELO	DATE 2015/03/24	
▽ = 0		3 PLACES ±	DRAWING SIZE C	THIRD ANGLE PROJECTION	
▽ = 0		2 PLACES ± 0.13			
▽ = 0	1 PLACE ± 0.25	<b>PRODUCT CUSTOMER DRAWING</b>			
▽ = 0	0 PLACES ±	DRAFT WHERE APPLICABLE MUST REMAIN WITHIN DIMENSIONS		SERIES: 76845 MATERIAL NUMBER: SEE CHART CUSTOMER: GENERAL MARKET	
□ = 0	DOCUMENT NUMBER: SD-76845-003 DOC TYPE: PSD DOC PART: 001 SHEET NUMBER: 3 OF 3		PRODUCT CUSTOMER DRAWING		
▽ = 0			GENERAL MARKET		