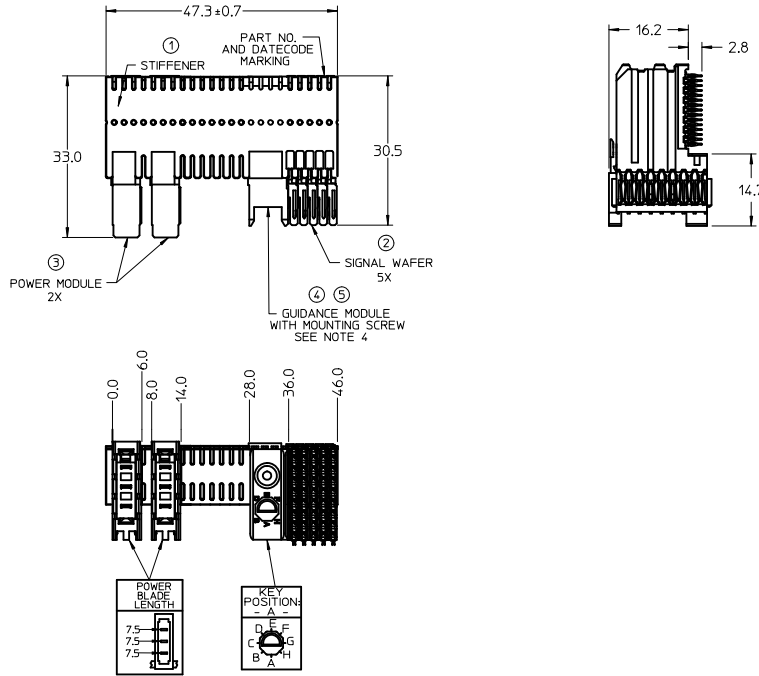


CUSTOMER: SYCAMORE

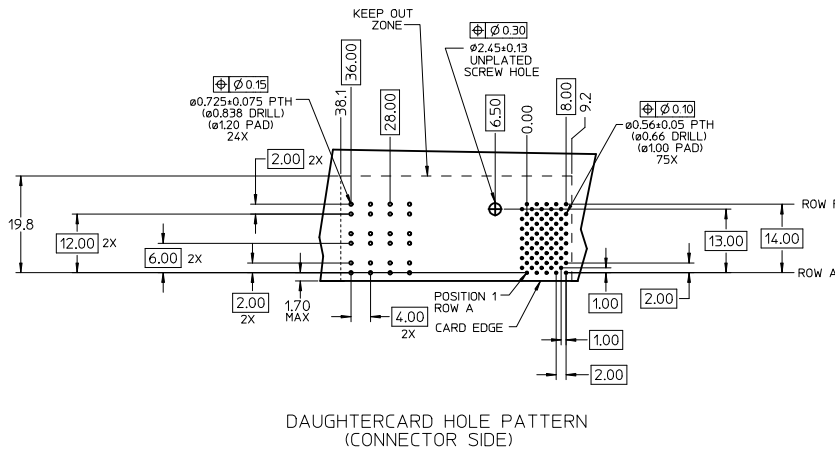


NOTES:

- MATERIALS: HOUSING : LIQUID CRYSTAL POLYMER (LCP) GLASS-FILLED, UL94V-0, BLACK. TERMINALS: COPPER ALLOY STIFFENER: STAINLESS STEEL
- FINISH: SELECTIVE GOLD (Au) 0.76 micrometer MINIMUM IN CONTACT AREA, SELECTIVE MATTE TIN (Sn) IN TAIL AREA, NICKEL (Ni) UNDERPLATE OVERALL.
- REFER TO MOLEX PRODUCT SPECIFICATION PS-74031-999 FOR PERFORMANCE SPECIFICATIONS.
- PARTS TO BE PACKAGED PER PK-70873-5041. SCREWS PACKED IN BAG INSIDE TUBE.
- THIS PART CONFORMS TO CLASS "B" REQUIREMENTS OF MOLEX COSMETIC SPECIFICATION PS-45499-002.
- REFER TO MOLEX DOCUMENT SD-74041-002 FOR ADDITIONAL DETAIL ON THE SIGNAL WAFER.
- REFER TO MOLEX DOCUMENT SD-74037-006 FOR ADDITIONAL DETAIL ON THE GUIDANCE MODULE.
- REFER TO MOLEX DOCUMENT SD-75885-002 FOR ADDITIONAL DETAIL ON THE LEAD-FREE POWER MODULE.
- REFER TO MOLEX DOCUMENT SD-74038-004 FOR ADDITIONAL DETAIL ON THE END CAP.
- LABEL MARKED WITH MOLEX PART NUMBER AND DATE CODE. LABEL MAY BE REPLACED WITH LASER MARKING ON THE STIFFENER.

LEAD-FREE
PLATING

ITEM	PART NUMBER	DESCRIPTION	QTY
1	74046-0047	STIFFENER	1
2	74041-1001	SIGNAL WAFER, LF	5
3	75885-8111	POWER MODULE, LF	2
4	74037-8001	GUIDANCE MODULE, KEY"A"	1
5	73726-0000	GUIDE MODULE MNTG SCREW	1



DAUGHTERCARD HOLE PATTERN (CONNECTOR SIDE)

CHG TO LEAD-FREE EC NO: UCP2012-2179 2012/01/13 DRWNG: CHYKSDANALLEY 2012/01/13 APPR: SMILLER 2012/02/09	QUALITY SYMBOLS	GENERAL TOLERANCES (UNLESS SPECIFIED)	DIMENSION STYLE	SCALE	DESIGN UNITS	THIRD ANGLE PROJECTION
	$\nabla=0$ $\nabla=0$ $\nabla=0$	mm INCH	MM ONLY	2:1	METRIC	
	4 PLACES ± --- ± --- 3 PLACES ± --- ± --- 2 PLACES ± 0.25 ± --- 1 PLACE ± 0.38 ± --- ANGULAR ± 1/2°	DRAWN BY DATE VARVARA 06/02/22 CHECKED BY DATE SREED 06/02/22 APPROVED BY DATE SMILLER 2012/02/09	TITLE VHDM 8 ROW, LF DAUGHTERCARD SALES DRAWING			
	DRAFT WHERE APPLICABLE MUST REMAIN WITHIN DIMENSIONS	MATERIAL NO: 74040-1147	DOCUMENT NO: SD-74040-1147	MOLEX INCORPORATED SHEET NO. 1 OF 1		