

### Main

|                                    |                   |
|------------------------------------|-------------------|
| Range of Product                   | Harmony eXLhoist  |
| Accessory / Separate Part Type     | Holder            |
| Accessory / separate part category | Support accessory |

### Complementary

|                       |                       |
|-----------------------|-----------------------|
| Material              | Polypropylene         |
| Width                 | 4.09 in (104 mm)      |
| Height                | 9.41 in (239 mm)      |
| Depth                 | 4.53 in (115 mm)      |
| Product compatibility | Remote control ZART   |
| Net Weight            | 0.55 lb(US) (0.25 kg) |

### Ordering and shipping details

|                       |  |
|-----------------------|--|
| Category              | 22479 - EXL HOIST WIRELESS PENDANT & ACC |
| Discount Schedule     | CS2                                      |
| GTIN                  | 3606480662317                            |
| Nbr. of units in pkg. | 1  |
| Package weight(Lbs)   | 12.98 oz (368 g)                         |
| Returnability         | No                                       |
| Country of origin     | FR                                       |

### Packing Units

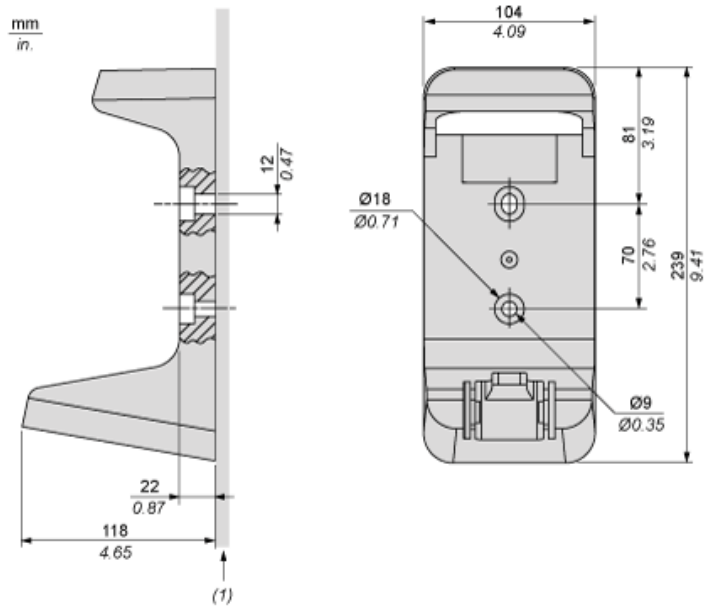
|                              |                        |
|------------------------------|------------------------|
| Unit Type of Package 1       | PCE                    |
| Package 1 Height             | 4.96 in (12.6 cm)      |
| Package 1 width              | 10.16 in (25.8 cm)     |
| Package 1 Length             | 4.41 in (11.2 cm)      |
| Unit Type of Package 2       | S03                    |
| Number of Units in Package 2 | 6                      |
| Package 2 Weight             | 5.88 lb(US) (2.668 kg) |
| Package 2 Height             | 11.81 in (30 cm)       |
| Package 2 width              | 11.81 in (30 cm)       |
| Package 2 Length             | 15.75 in (40 cm)       |

The information provided in this documentation contains general descriptions and/or technical characteristics of the performance of the products contained herein. This documentation is not intended as a substitute for and is not to be used for determining suitability or reliability of these products for specific user applications. It is the duty of any such user or integrator to perform the appropriate and complete risk analysis, evaluation and testing of the products with respect to the relevant specific application or use thereof. Neither Schneider Electric Industries SAS nor any of its affiliates or subsidiaries shall be responsible or liable for misuse of the information contained herein.

## Offer Sustainability

|                            |  |
|----------------------------|--|
| California proposition 65  | WARNING: This product can expose you to chemicals including: Nickel compounds, which is known to the State of California to cause cancer, and Di-isodecyl phthalate (DIDP), which is known to the State of California to cause birth defects or other reproductive harm. For more information go to <a href="http://www.P65Warnings.ca.gov">www.P65Warnings.ca.gov</a> |
| EU RoHS Directive          | Pro-active compliance (Product out of EU RoHS legal scope) <a href="#">EU RoHS Declaration</a>   |
| Mercury free               | Yes  |
| RoHS exemption information | <a href="#">Yes</a>  |
| China RoHS Regulation      | <a href="#">China RoHS Declaration</a>   |
| WEEE                       | The product must be disposed on European Union markets following specific waste collection and never end up in rubbish bins.   |

Dimensions



(1) Installation on flat surface