

MODEL:

# SRLADDERATTACH

## SmartRack® Cable Ladder Connection Kit

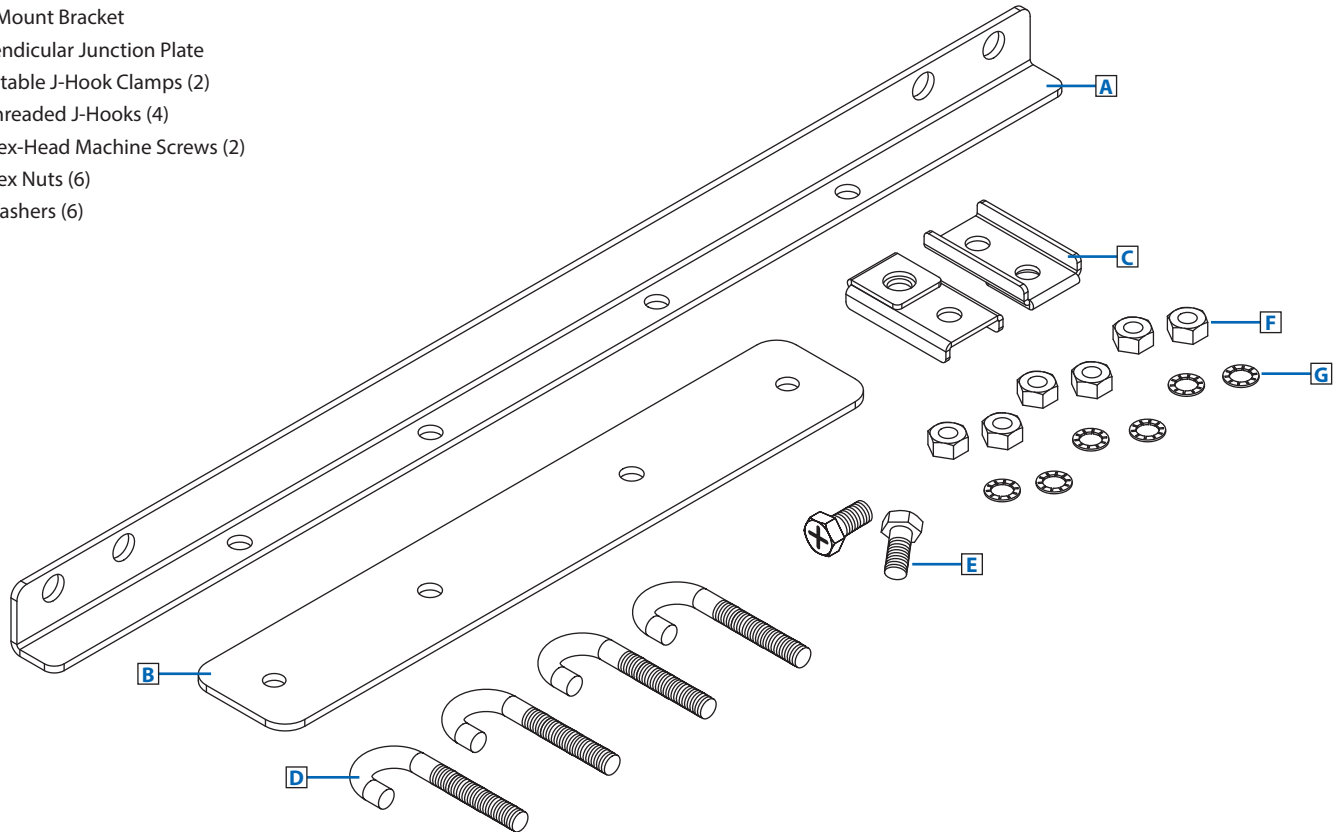
2/4

2-Post & 4-Post  
Rack Compatibility



Sturdy Steel  
Construction

- A** Wall-Mount Bracket
- B** Perpendicular Junction Plate
- C** Adjustable J-Hook Clamps (2)
- D** M8 Threaded J-Hooks (4)
- E** M8 Hex-Head Machine Screws (2)
- F** M8 Hex Nuts (6)
- G** M8 Washers (6)



SRLADDERATTACH is a hardware kit that allows Tripp Lite's SRCABLELADDER to be connected to a wall or compatible open frame rack, such as Tripp Lite's SR2POST or SR4POST.

SEE NEXT PAGES FOR MEASUREMENTS AND  
ATTACHMENT EXAMPLES

### Specifications

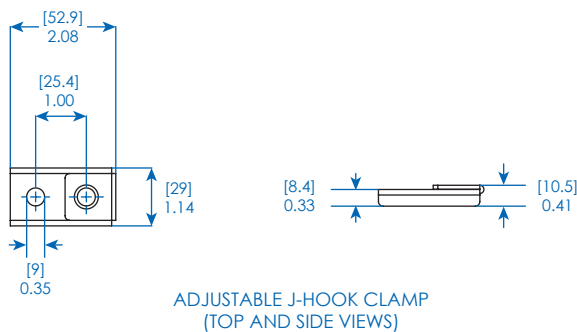
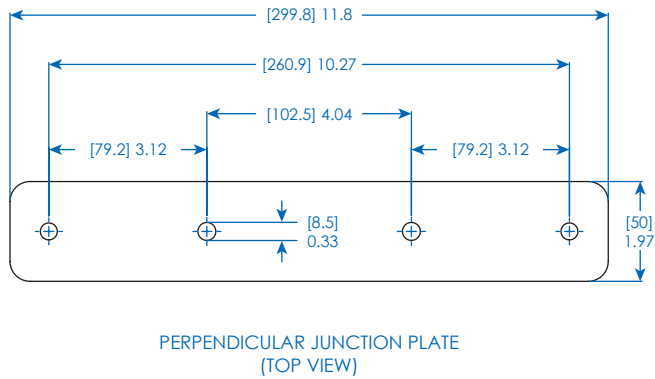
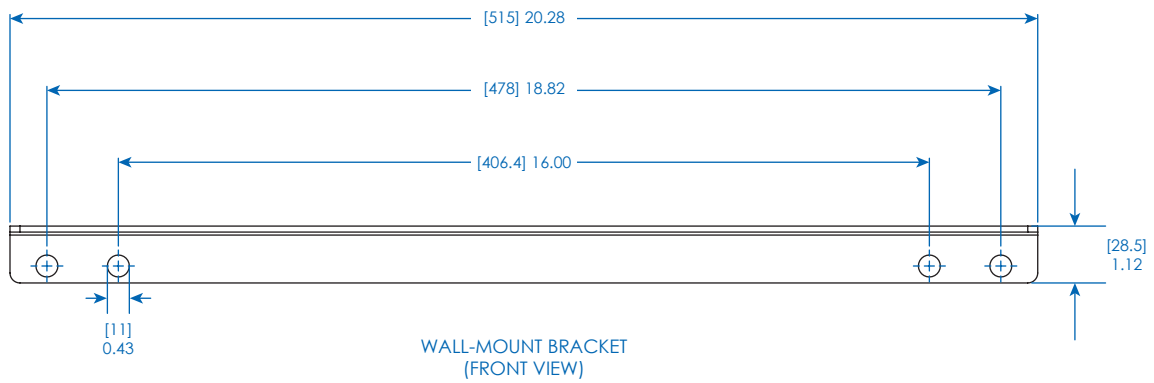
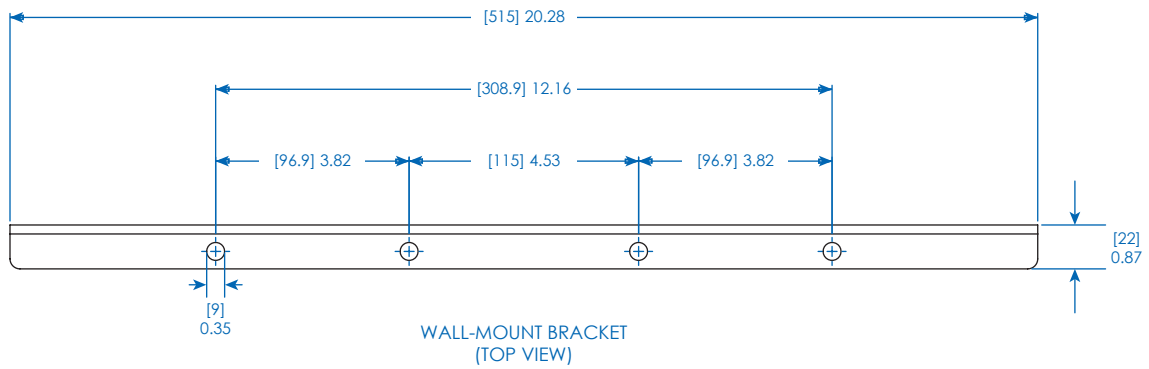


Model	SRLADDERATTACH
Shipping Dimensions (H x W x D)	1.4 x 20.7 x 2.8 in. (3.5 x 52.5 x 7 cm)
Shipping Weight	2 lb. (0.91 kg)
Standards	RoHS

Tripp Lite has a policy of continuous improvement. Specifications are subject to change without notice.

# TRIPP-LITE

1111 W. 35th Street  
Chicago, IL 60609 USA  
773.869.1234  
www.tripplite.com



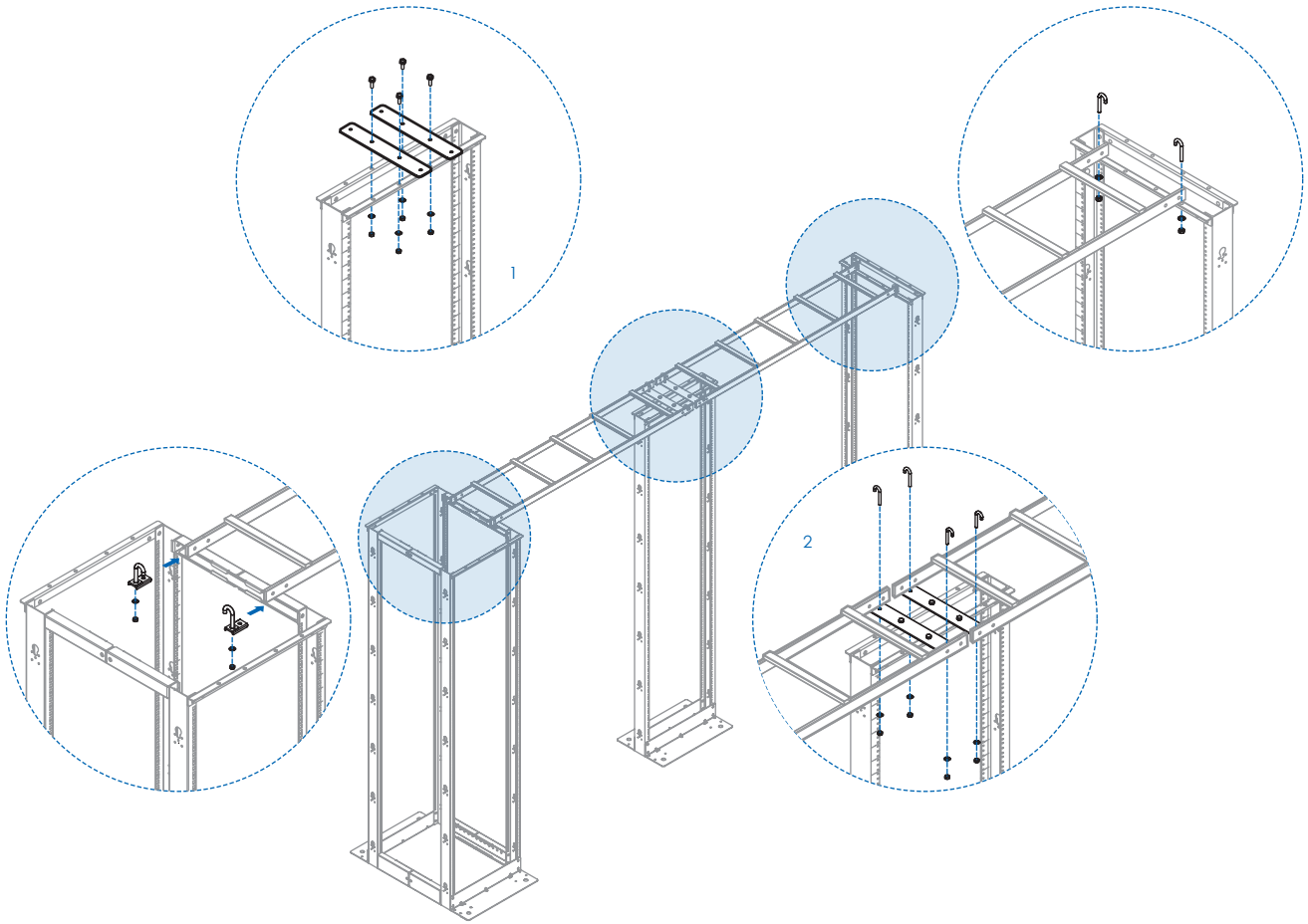
MODEL:  
**SRLADDERATTACH**



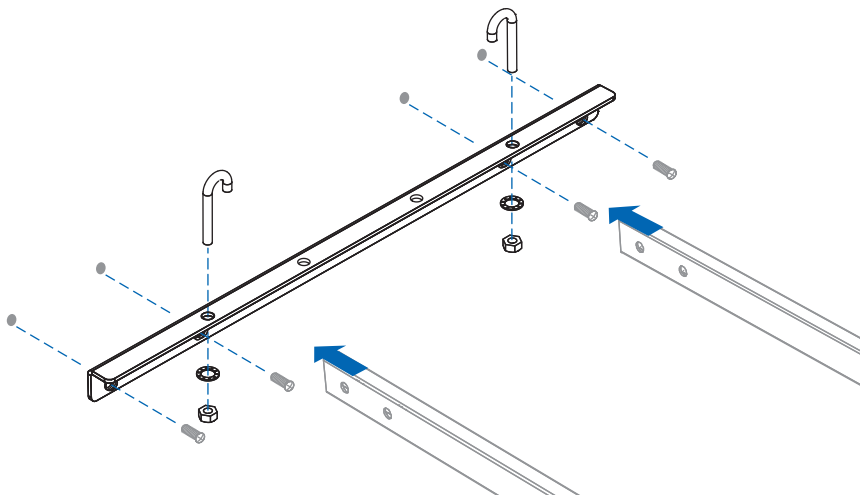
1111 W. 35th Street  
Chicago, IL 60609 USA  
773.869.1234  
www.tripplite.com

Dimensions: [mm] INCHES

Tripp Lite has a policy of continuous improvement. Specifications are subject to change without notice.



2-POST & 4-POST RACK ATTACHMENT EXAMPLES



WALL ATTACHMENT EXAMPLE

Note: Examples shown may require user-supplied hardware, multiple kits or additional products sold separately.  
 Tripp Lite has a policy of continuous improvement. Specifications are subject to change without notice.

MODEL:  
**SRLADDERATTACH**



1111 W. 35th Street  
 Chicago, IL 60609 USA  
 773.869.1234  
 www.tripplite.com