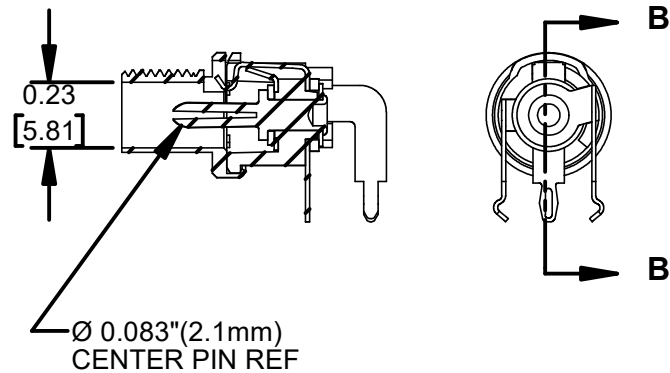
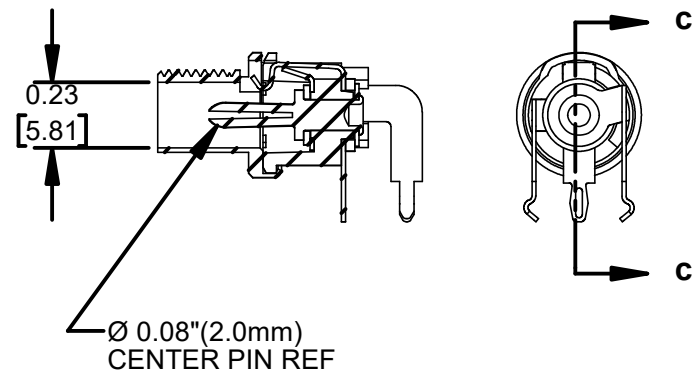


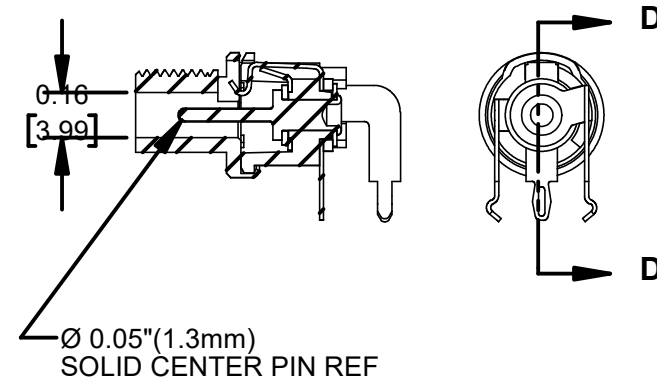
L712RALP



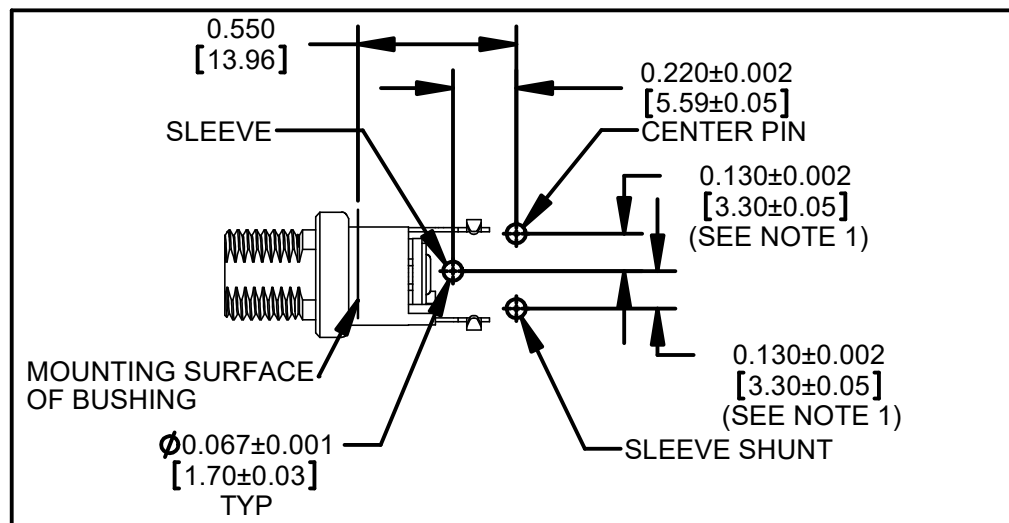
L721RALP



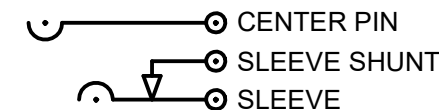
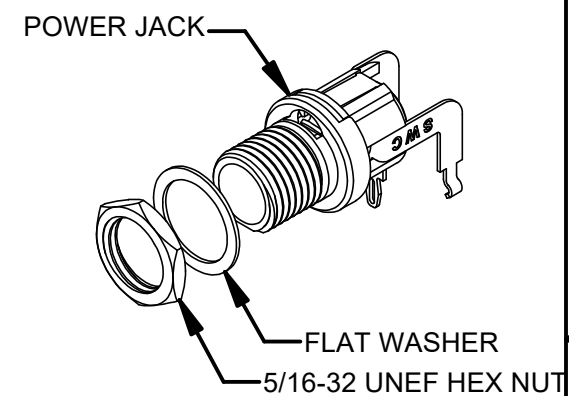
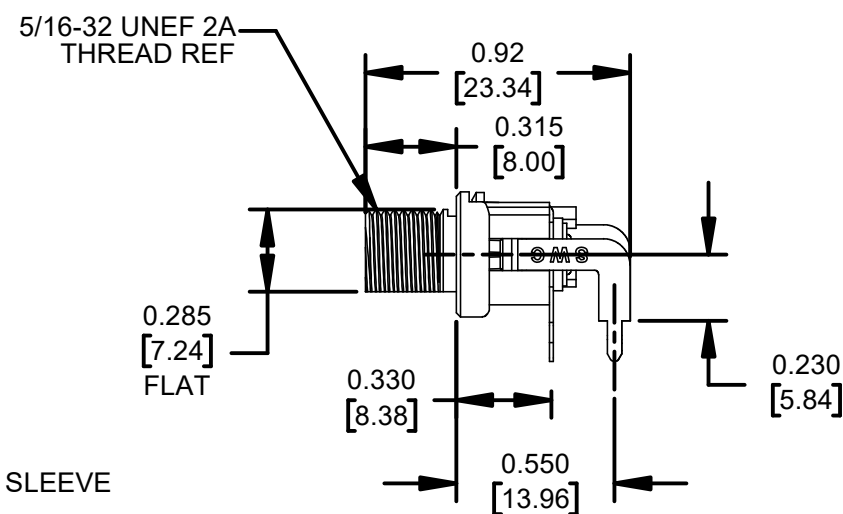
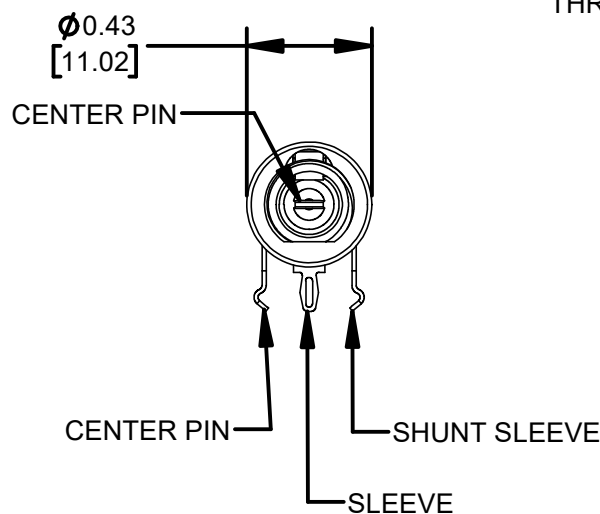
L722RALP



L732RALP



**RECOMMENDED PCB LAYOUT
(COMPONENT SIDE)**



SCHEMATIC

PRELIMINARY

CUSTOMER DRAWING

NOTES:

- FOR HAND INSERTION USE SPACING 0.130 [3.30]
FOR AUTOMATED INSERTION USE SPACING 0.135 [3.43]
- DIMENSIONS SHOWN FOR REFERENCE ONLY.
- HEX NUT AND FLAT WASHER SUPPLIED UNASSEMBLED.
- MATERIAL:
HOUSING, HEX NUT - COPPER ALLOY, NICKEL PLATED
INSULATOR HOUSING - THERMOPLASTIC
TERMINAL INSULATORS - PHENOLIC
FLAT WASHER - STEEL, NICKEL PLATED
PIN, SPRING, TERMINALS - COPPER ALLOY, SILVER PLATED
- THESE PRODUCTS ARE RoHS COMPLIANT

REV	ECO NUMBER	DATE	BY	APVD
0A	P-20009-1	4-16-2020	SRC	SRC
REVISIONS				

UNLESS OTHERWISE SPECIFIED

- ALL DIMENSIONS IN INCHES
- TWO PLACE DECIMALS ±0.02
- THREE PLACE DECIMALS ±0.005

DO NOT SCALE DRAWING

THIS DRAWING DESCRIBES A DESIGN CONSIDERED PROPRIETARY IN NATURE, DEVELOPED AND MANUFACTURED BY SWITCHCRAFT INC. AND IS RELEASED ON A CONFIDENTIAL BASIS FOR IDENTIFICATION PURPOSES ONLY.

SIZE *	WIDTH *	MULT *	LBS/M *	TEMPER *
FINISH *		MATERIAL *		
SPEC No. *		SPEC No. *		
FIRST USED ON *		SCALE 3:2		
DATE DRAWN	BY	CHKD	APVD	
4-16-2020	SRC	*	*	
NAME POWER JACKS L712RALP, L721RALP L722RALP, L732RALP, RoHS				REV 0A
PART No. L7__RALP SERIES				
SHEET 1 OF 1				

Switchcraft