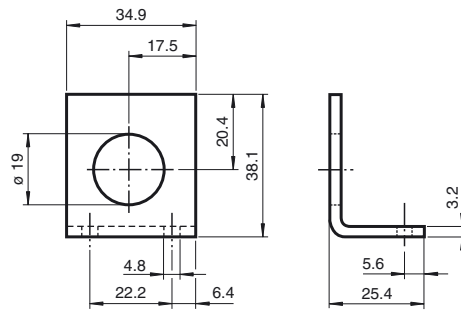




Dimensions



Model Number

AB-18

Mounting aid

Features

- Retainer for all cylindrical sensors with M18 thread

Application

Using the mounting aid cylindrical sensors are fast and easy to fit. Use the nuts included with the sensor for attachment.



Sensor fitted inside the mounting aid

Technical data

General specifications

Inside diameter 18 mm

Mechanical specifications

Material Stainless steel

Dimensions 38.1 mm x 34.9 mm x 25.4 mm

Release date: 2019-05-22 15:37 Date of issue: 2019-05-22 090012_eng.xml