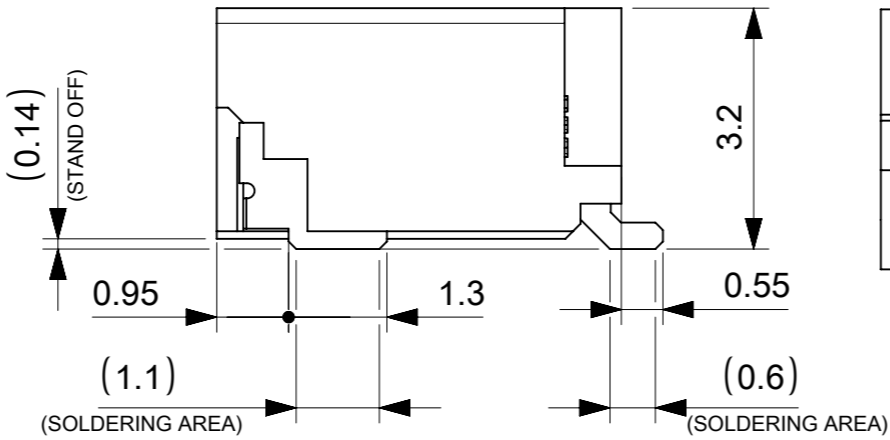
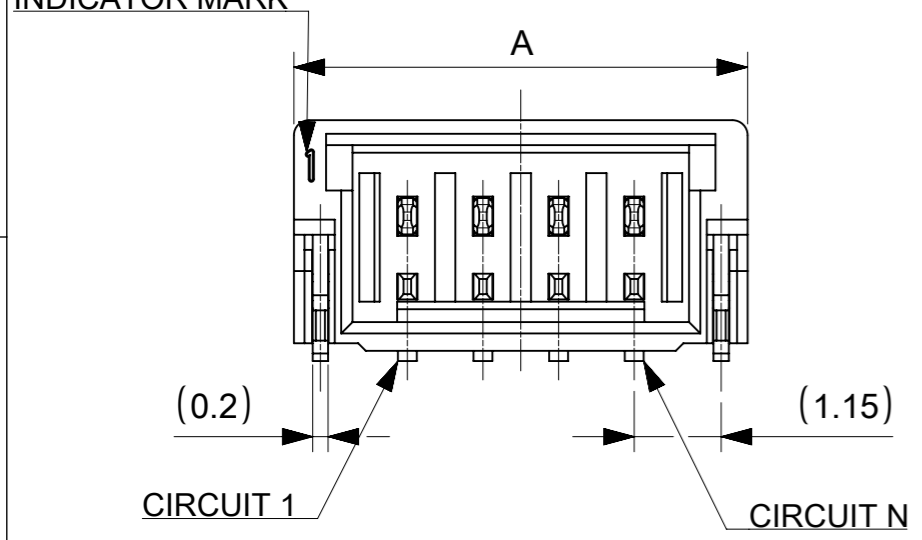
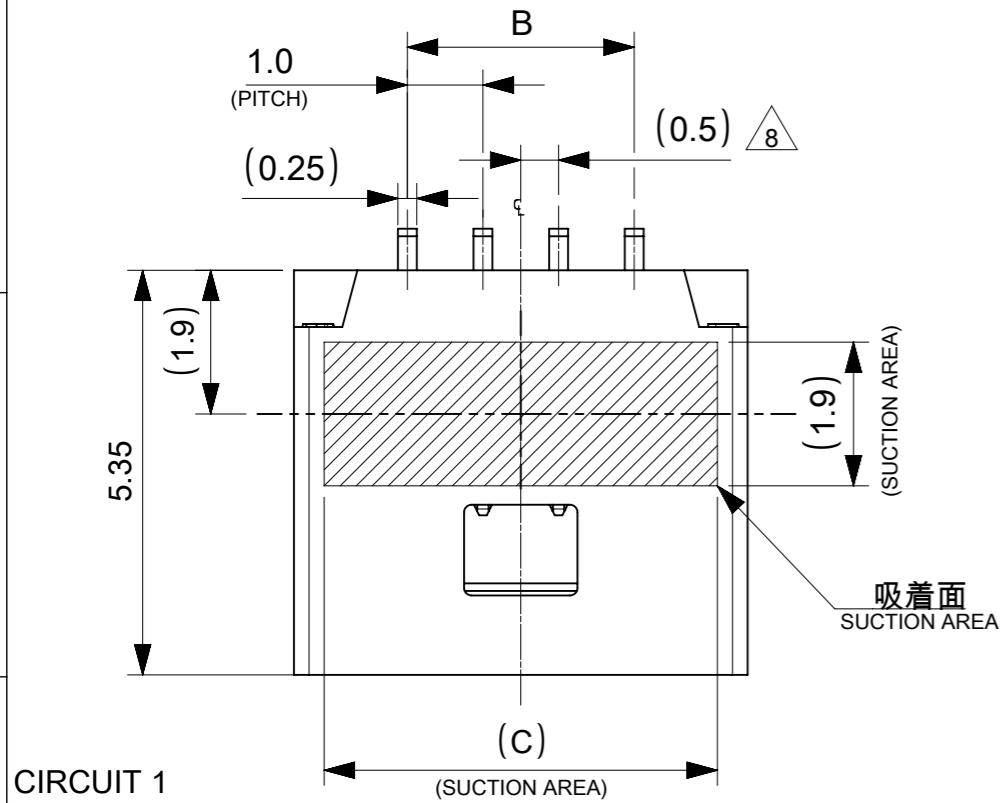


NOTES

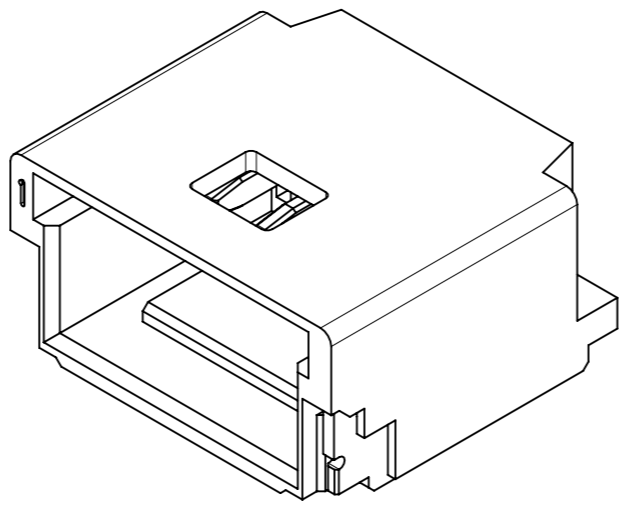
- 本製品は極数によって、ロック形状が変わりますので御注意願います。  
THE LOCK SHAPE OF THIS PRODUCT CHANGES ACCORDING TO THE NUMBER OF CIRCUIT.  
2~5 CIRCUITS : フリクションロック FRICTION LOCK  
6~15 CIRCUITS : インナーポジティブロック INNER POSITIVE LOCK
- 材料及び仕上げ(めっき仕様) : TABLE 1,2 参照  
MATERIAL AND FINISHES : SEE TABLE 1 AND 2
- 製品仕様書 : 5013300001-PS 000  
PRODUCT SPECIFICATION:
- 梱包形態 : SEE SHEET 4  
PACKAGING INFORMATION:
- 嵌合相手 : 501330 シリーズ  
MATES WITH:501330 SERIES
- アプリケーション仕様書(コネクタ取扱い説明書) : 5013300000-AS 000  
APPLICATION SPECIFICATION(CONNECTOR MANUAL):
- ソルダーピン及びネイルの平坦度:0.1 MAX.  
SOLDER PIN AND NAIL COPLANARITY: 0.1 MAX.
- 偶数極に適用  
APPLY FOR EVEN CIRCUIT
- その他金めっき厚品及び錫めっき品は以下の図面を御参照ください。  
PLEASE REFER TO THE FOLLOWING DRAWING FOR OTHER GOLD PLATING VERSION AND TIN PLATING VERSION.



PLATING	PLATING THICKNESS [micro-meter MIN.]	SERIES No.	DRAWING No.
TIN	1.0	501568	5015680000-SD PSD 000
GOLD	0.1	202396	2023960000-SD PSD 000
	0.38	203558	2035580000-SD PSD 000

TABLE 1

番号 NO.	部品 PART	材質 MATERIAL	
①	ウエハー WAFER	ポリアミド(PA), UL94V-0, 色 : SEE SHEET 6 POLYAMIDE(PA), UL94V-0, COLOR : SEE SHEET 6	
②	ソルダーピン SOLDER PIN	リン青銅 PHOSPHOR BRONZE	
		接点部 CONTACT AREA	金めっき : 0.76 MICRO-METER MIN. GOLD PLATING
		テール部 TAIL AREA	金めっき : 0.05 MICRO-METER MIN. GOLD PLATING
	下地めっき UNDER PLATING	ニッケルめっき : 1.27 MICRO-METER MIN. NICKEL	
③	ネイル NAIL	黄銅 BRASS	
		テール部 TAIL AREA	錫めっき : 1.0 MICRO-METER MIN. MATTE TIN PLATING
		下地めっき UNDER PLATING	ニッケルめっき : 1.0 MICRO-METER MIN. NICKEL



6.2	4.0	7.0	5
5.2	3.0	6.0	4
4.2	2.0	5.0	3
3.2	1.0	4.0	2
C	B	A	極数 CIRCUIT SIZE

THIS DRAWING CONTAINS INFORMATION THAT IS PROPRIETARY TO MOLEX ELECTRONIC TECHNOLOGIES, LLC AND SHOULD NOT BE USED WITHOUT WRITTEN PERMISSION

DIMENSION UNITS	SCALE	CURRENT REV DESC:	
mm	NTS		
GENERAL TOLERANCES (UNLESS SPECIFIED)		EC NO: 698195	
ANGULAR TOL ± 3.0°		DRWN: MIKEDA01 2022/02/28	
4 PLACES ± 0.2		CHK'D: SAKIYAMA 2022/03/08	
3 PLACES ± 0.2		APPR: AIDA 2022/03/08	
2 PLACES ± 0.2		INITIAL REVISION:	
1 PLACE ± 0.2		DRWN: AISHIKAWA 2019/04/02	
0 PLACES ± 0.2		APPR: KOMURAKAMI 2019/04/05	
DRAFT WHERE APPLICABLE MUST REMAIN WITHIN DIMENSIONS		THIRD ANGLE PROJECTION	DRAWING SERIES MATERIAL NUMBER CUSTOMER SHEET NUMBER
			A3-SIZE 203559 SEE SHEET 6 1 OF 6

**molex**

PICO-CLASP 1.0 W/B  
SINGLE ROW RA SMT INNER LOCK GOLD PLATING  
0.76 MICRO-METER

PRODUCT CUSTOMER DRAWING

DOCUMENT NUMBER: 2035590000-SD  
DOC TYPE: PSD  
DOC PART: 000  
REVISION: C

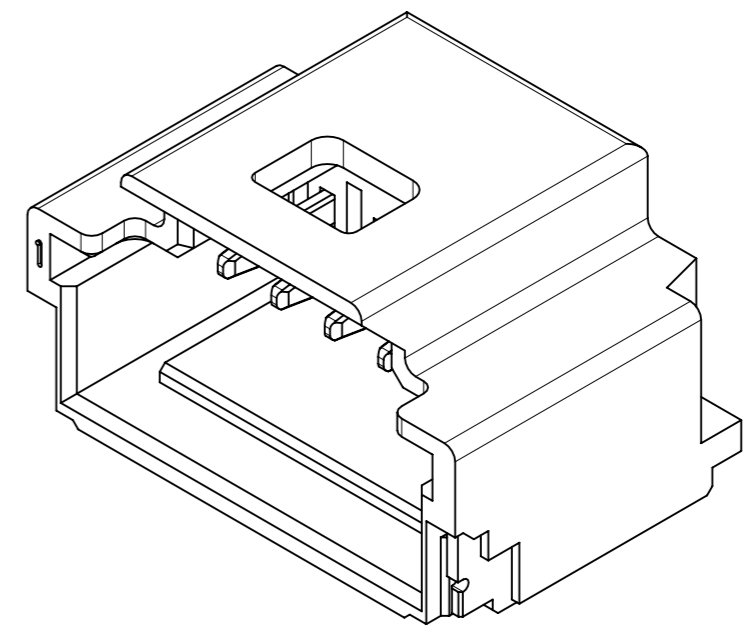
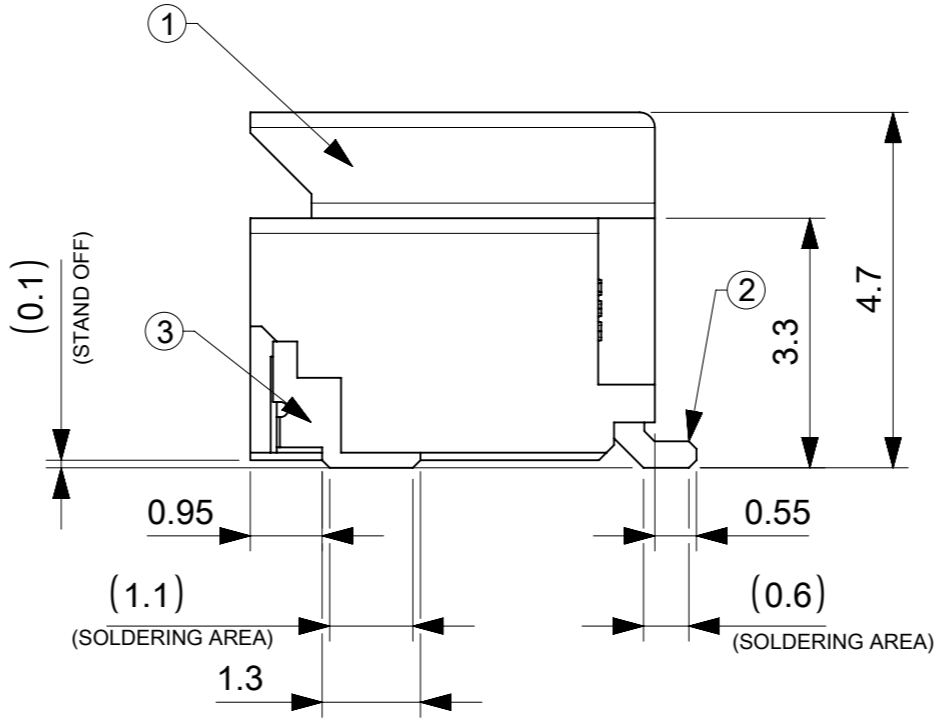
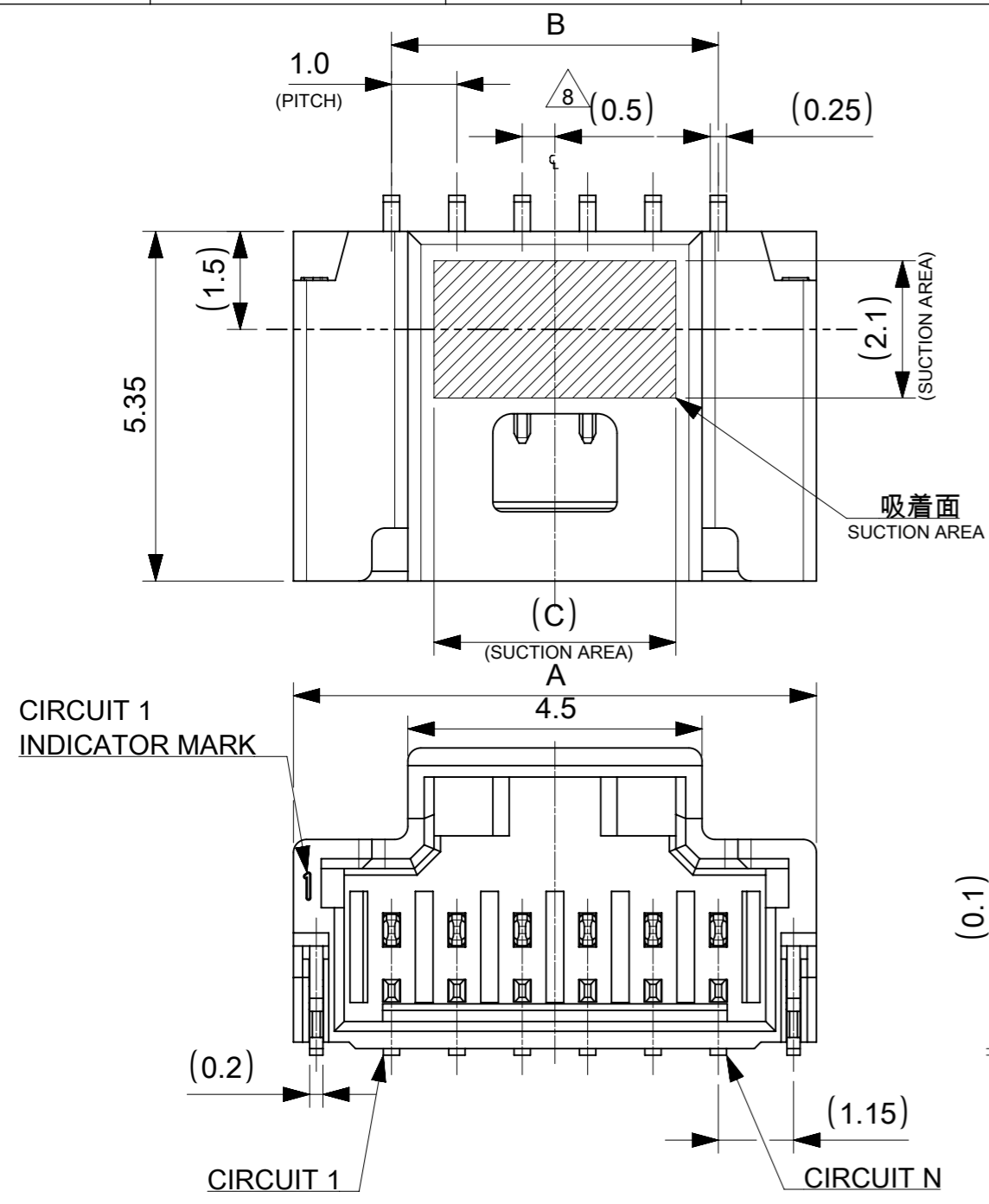


TABLE 2

12.7	14.0	17.0	15
11.7	13.0	16.0	14
10.7	12.0	15.0	13
9.7	11.0	14.0	12
8.7	10.0	13.0	11
7.7	9.0	12.0	10
6.7	8.0	11.0	9
5.7	7.0	10.0	8
4.7	6.0	9.0	7
3.7	5.0	8.0	6
C	B	A	極数 CIRCUIT SIZE

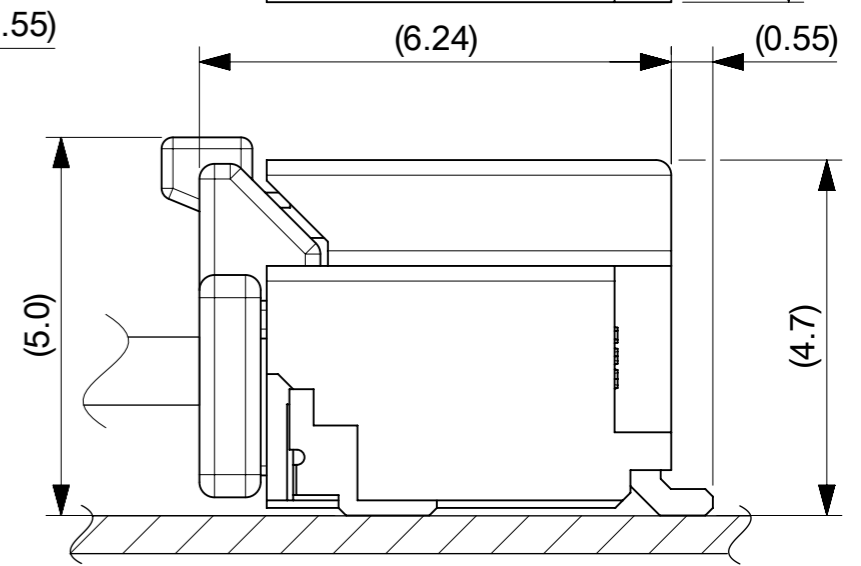
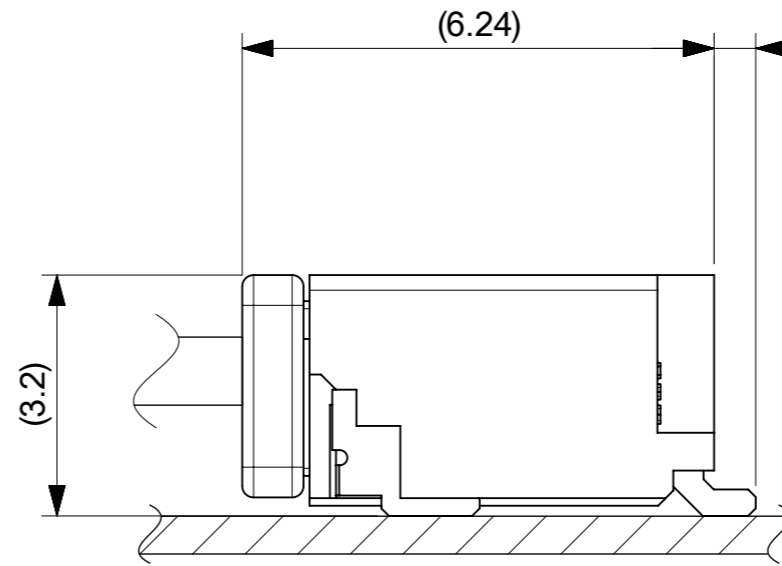
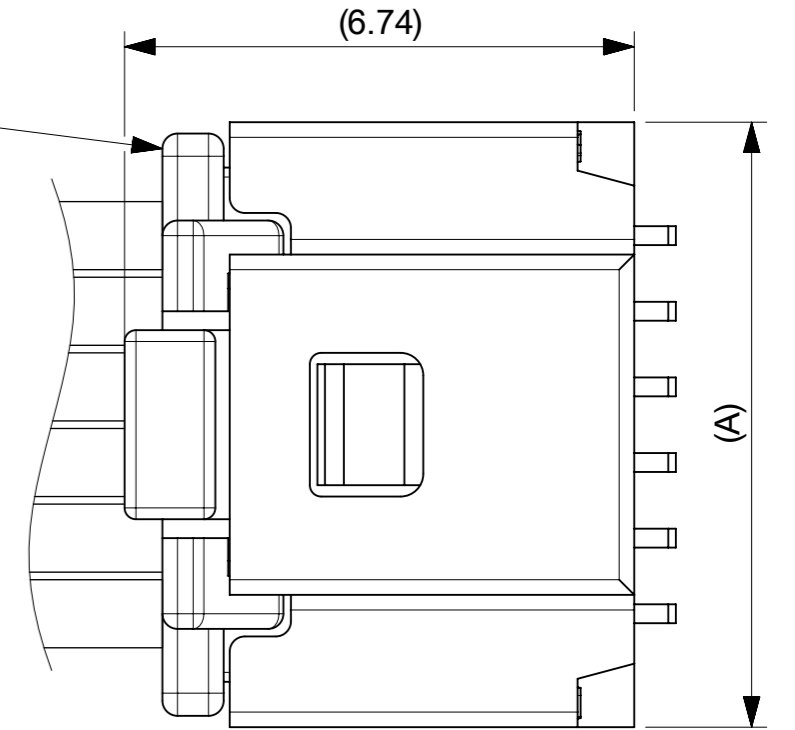
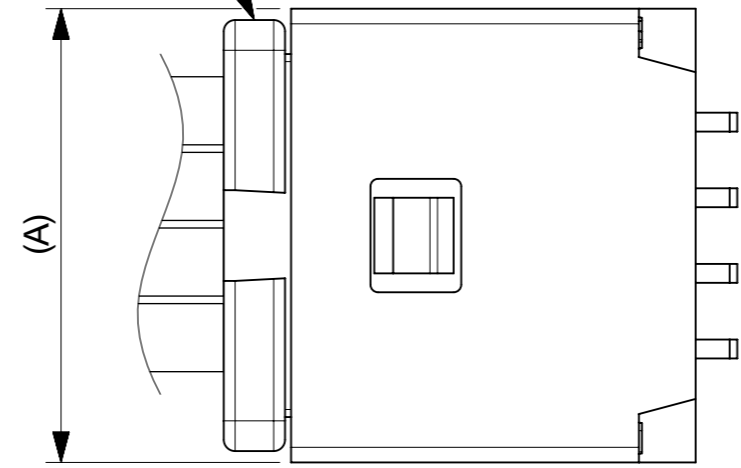
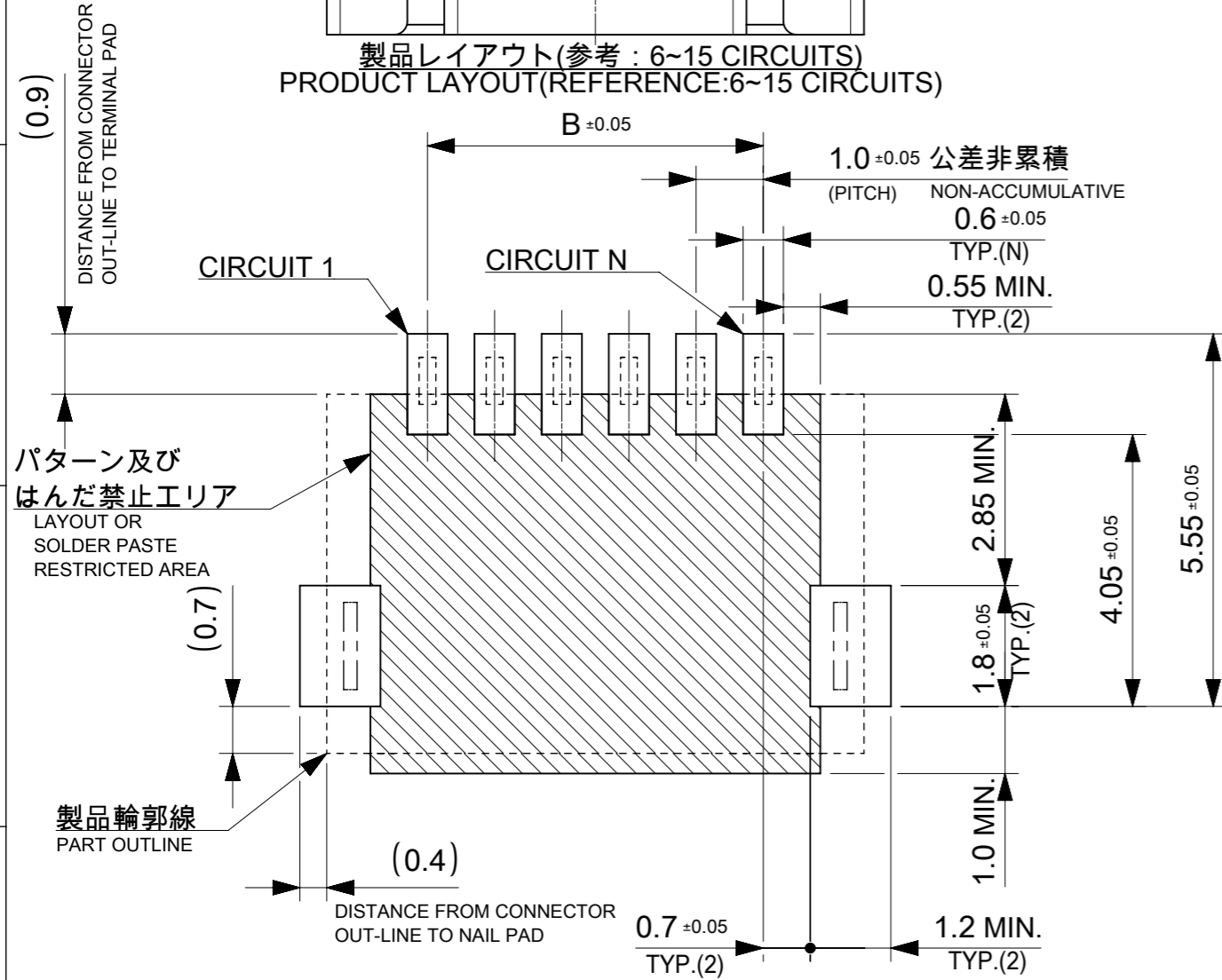
番号 NO.	部品 PART	材質 MATERIAL	
①	ウエハー WAFER	ポリアミド(PA), UL94V-0, 色 : SEE SHEET 6 POLYAMIDE(PA), UL94V-0, COLOR : SEE SHEET 6	
②	ソルダーピン SOLDER PIN	リン青銅 PHOSPHOR BRONZE	
		接点部 CONTACT AREA	金めっき : 0.76 MICRO-METER MIN. GOLD PLATING
		テール部 TAIL AREA	金めっき : 0.05 MICRO-METER MIN. GOLD PLATING
	下地めっき UNDER PLATING	ニッケルめっき : 1.27 MICRO-METER MIN. NICKEL	
③	ネイル NAIL	黄銅 BRASS	
		テール部 TAIL AREA	錫めっき : 1.0 MICRO-METER MIN. MATTE TIN PLATING
		下地めっき UNDER PLATING	ニッケルめっき : 1.0 MICRO-METER MIN. NICKEL

THIS DRAWING CONTAINS INFORMATION THAT IS PROPRIETARY TO MOLEX ELECTRONIC TECHNOLOGIES, LLC AND SHOULD NOT BE USED WITHOUT WRITTEN PERMISSION

DIMENSION UNITS <b>mm</b>	SCALE <b>NTS</b>	CURRENT REV DESC:		<b>molex</b>			
GENERAL TOLERANCES (UNLESS SPECIFIED)		EC NO: 698195					
ANGULAR TOL	± 3.0 °	DRWN: MIKEDA01		PRODUCT CUSTOMER DRAWING			
4 PLACES	± 0.2	CHK'D: SAKIYAMA		DOCUMENT NUMBER			
3 PLACES	± 0.2	APPR: AIDA		2035590000-SD			
2 PLACES	± 0.2	INITIAL REVISION:		DOC TYPE DOC PART REVISION			
1 PLACE	± 0.2	DRWN: AISHIKAWA		PSD 000 C			
0 PLACES	± 0.2	APPR: KOMURAKAMI		SHEET NUMBER			
DRAFT WHERE APPLICABLE MUST REMAIN WITHIN DIMENSIONS		THIRD ANGLE PROJECTION	DRAWING	SERIES	MATERIAL NUMBER	CUSTOMER	SHEET NUMBER
			A3-SIZE	203559	SEE SHEET 6		2 OF 6

嵌合相手：501330シリーズ  
MATE WITH：501330 SERIES

製品レイアウト(参考：6~15 CIRCUITS)  
PRODUCT LAYOUT(REFERENCE:6~15 CIRCUITS)



a) 2~5 CIRCUITS

b) 6~15 CIRCUITS

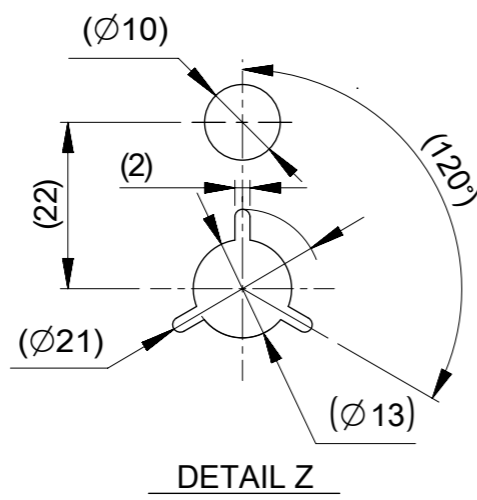
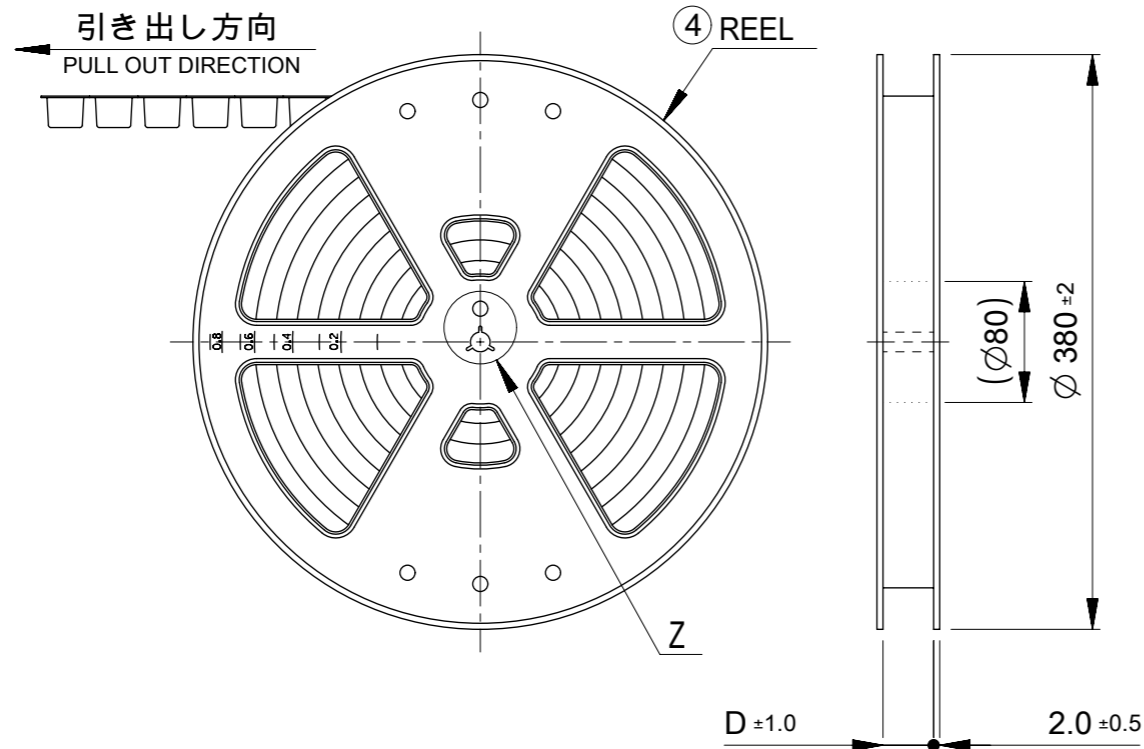
嵌合図  
MATED CONNECTORS

推奨基板レイアウト(全極数適用)：実装面側  
(参考：基板厚 1.0mm, メタルマスク厚さ 0.12mm, マスク開口率100%)

POLARIZED RECOMMENDED PCB LAYOUT(APPLY TO ALL CIRCUITS) : COMPONENT SIDE  
(REFERENCE: PCB THICKNESS 1.0mm, STENCIL THICKNESS 0.12mm, APERTURE RATIO 100%)

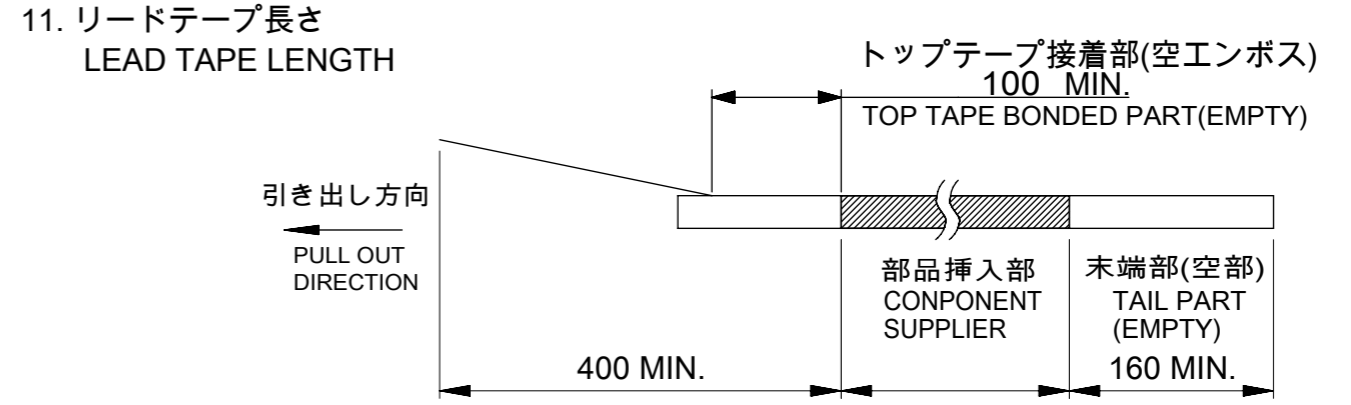
:パターン禁止エリア  
RESTRICTED AREA  
NO PCB COMPONENTS ALLOWED

THIS DRAWING CONTAINS INFORMATION THAT IS PROPRIETARY TO MOLEX ELECTRONIC TECHNOLOGIES, LLC AND SHOULD NOT BE USED WITHOUT WRITTEN PERMISSION		CURRENT REV DESC:		<b>molex</b>		
DIMENSION UNITS	SCALE					
mm	NTS			PICO-CLASP 1.0 W/B SINGLE ROW RA SMT INNER LOCK GOLD PLATING 0.76 MICRO-METER		
GENERAL TOLERANCES (UNLESS SPECIFIED)				PRODUCT CUSTOMER DRAWING		
ANGULAR TOL	± 3.0 °			DOCUMENT NUMBER		
4 PLACES	± 0.2	EC NO: 698195		2035590000-SD		
3 PLACES	± 0.2	DRWN: MIKEDA01		PSD		
2 PLACES	± 0.2	CHK'D: SAKIYAMA		000		
1 PLACE	± 0.2	APPR: AIDA		C		
0 PLACES	± 0.2	INITIAL REVISION:		DOC TYPE		
DRAFT WHERE APPLICABLE MUST REMAIN WITHIN DIMENSIONS		THIRD ANGLE PROJECTION	DRAWING	SERIES	MATERIAL NUMBER	CUSTOMER
			A3-SIZE	203559	SEE SHEET 6	
DOCUMENT STATUS		P1	RELEASE DATE	2022/03/08	09:37:22	SHEET NUMBER
						3 OF 6



NOTES

10. 梱包数量  
 2-5 CIRCUIT: 1700個/リール  
 6-15 CIRCUIT: 1300個/リール  
 NUMBER OF CONNECTORS  
 2-5 CIRCUIT : 1700 PIECES/REEL  
 6-15 CIRCUIT : 1300 PIECES/REEL



11. リードテープ長さ  
 LEAD TAPE LENGTH
12. トップテープの剥離強度はIEC60286-3に準拠。  
 TOP TAPE PEELING FORCE IS DEFINED BY IEC60286-3.
13. 2~5極品は乾燥剤入り、ハイバリア梱包による納品となります。  
 2~5 CIRCUITS IS DELIVERED IN A HIGH BARRIER PACKAGING WITH DESICCANT.
14. 梱包仕様書 : 2035599200 PS 200  
 PACKAGE SPECIFICATION:
15. 発注番号 : SHEET 6 参照  
 ORDER No. : PLEASE REFER TO SHEET 6 FOR PRODUCT LIST.

203559 - \*\* \* \*

極数 CIRCUIT SIZE	ハウジングカラー HOUSING COLOR	製品識別番号 IDENTIFICATION NUMBER
	0:NATURAL(BEIGE)	7:EMBOSSED PACKAGE

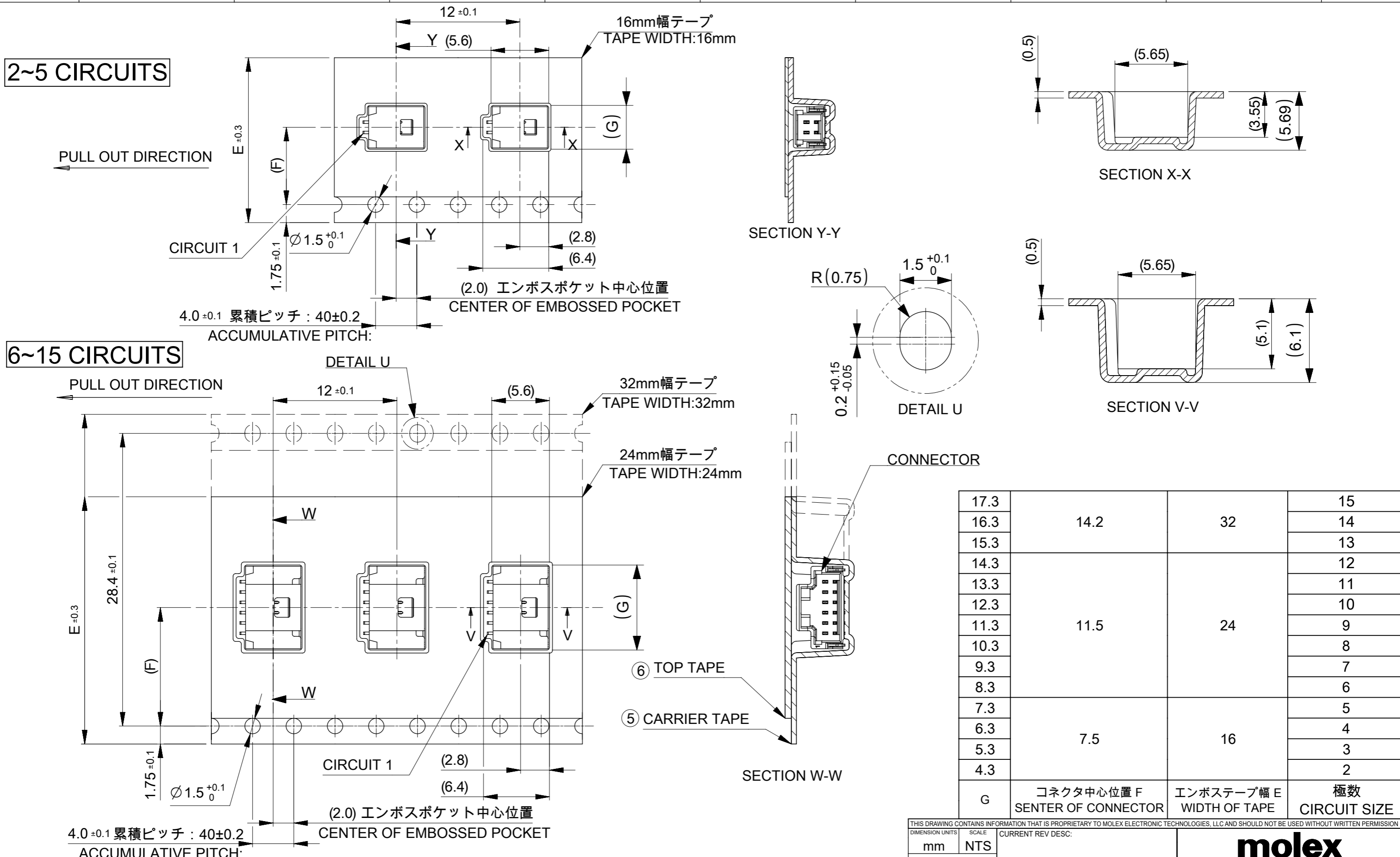
33.4	15
	14
	13
25.4	12
	11
	10
	9
	8
17.5	7
	6
	5
D	4
	3
	2
極数 CIRCUIT SIZE	

番号 NO.	部品 PART	材質 MATERIAL
④	リール REEL	ポリスチレン(PS) <リサイクル材を含む> POLYSTYRENE(PS) <RECYCLE MATERIAL CONTAINED>
DOCUMENT STATUS	P1	RELEASE DATE 2022/03/08 09:37:22

THIS DRAWING CONTAINS INFORMATION THAT IS PROPRIETARY TO MOLEX ELECTRONIC TECHNOLOGIES, LLC AND SHOULD NOT BE USED WITHOUT WRITTEN PERMISSION		CURRENT REV DESC:		<b>molex</b>	
DIMENSION UNITS mm	SCALE NTS	EC NO: 698195 DRWN: MIKEDA01 2022/02/28 CHK'D: SAKIYAMA 2022/03/08 APPR: AIDA 2022/03/08			
GENERAL TOLERANCES (UNLESS SPECIFIED)		INITIAL REVISION:		DOCUMENT NUMBER	
ANGULAR TOL ± 3.0 °		DRWN: AISHIKAWA 2019/04/02 APPR: KOMURAKAMI 2019/04/05		2035590000-SD	
4 PLACES ± 0.2	THIRD ANGLE PROJECTION		DRAWING	SERIES	MATERIAL NUMBER
3 PLACES ± 0.2	A3-SIZE		203559	CUSTOMER	SEE SHEET 6
2 PLACES ± 0.2	DRAFT WHERE APPLICABLE MUST REMAIN WITHIN DIMENSIONS		SHEET NUMBER		4 OF 6
1 PLACE ± 0.2			DOC TYPE		PSD
0 PLACES ± 0.2			DOC PART		000
				REVISION	
				C	

**2~5 CIRCUITS**

**6~15 CIRCUITS**



17.3			15
16.3	14.2	32	14
15.3			13
14.3			12
13.3			11
12.3			10
11.3	11.5	24	9
10.3			8
9.3			7
8.3			6
7.3			5
6.3	7.5	16	4
5.3			3
4.3			2
G	コネクタ中心位置 F SENER OF CONNECTOR	エンボステープ幅 E WIDTH OF TAPE	極数 CIRCUIT SIZE

THIS DRAWING CONTAINS INFORMATION THAT IS PROPRIETARY TO MOLEX ELECTRONIC TECHNOLOGIES, LLC AND SHOULD NOT BE USED WITHOUT WRITTEN PERMISSION

DIMENSION UNITS: mm SCALE: NTS

GENERAL TOLERANCES (UNLESS SPECIFIED): ANGULAR TOL ± 3.0°

4 PLACES ± 0.2  
3 PLACES ± 0.2  
2 PLACES ± 0.2  
1 PLACE ± 0.2  
0 PLACES ± 0.2

EC NO: 698195  
DRWN: MIKEDA01 2022/02/28  
CHK'D: SAKIYAMA 2022/03/08  
APPR: AIDA 2022/03/08

INITIAL REVISION:  
DRWN: AISHIKAWA 2019/04/02  
APPR: KOMURAKAMI 2019/04/05

THIRD ANGLE PROJECTION

DRAWING: A3-SIZE  
SERIES: 203559  
MATERIAL NUMBER: SEE SHEET 6  
CUSTOMER: SEE SHEET 6  
SHEET NUMBER: 5 OF 6

**molex**

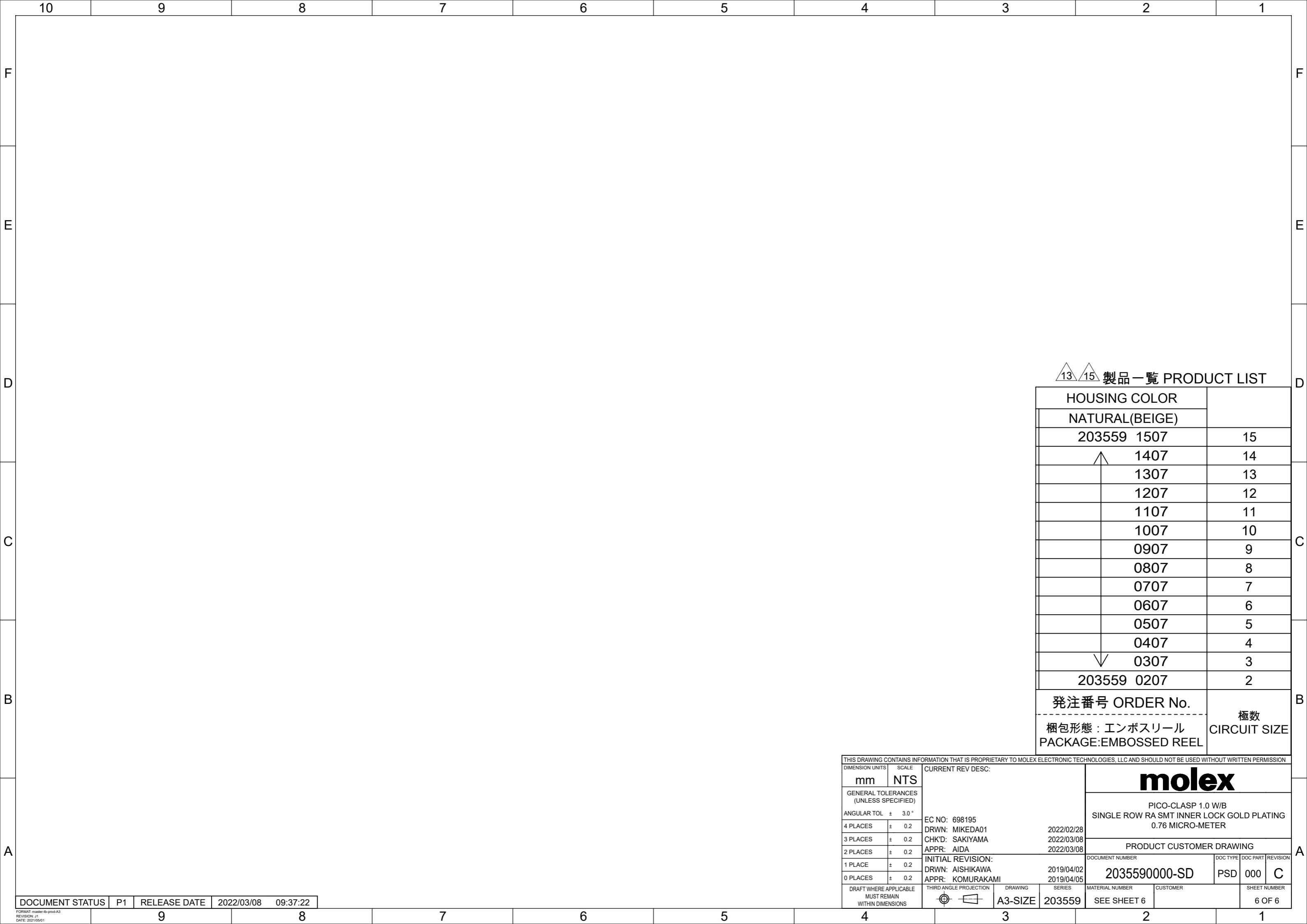
PICO-CLASP 1.0 W/B  
SINGLE ROW RA SMT INNER LOCK GOLD PLATING  
0.76 MICRO-METER

PRODUCT CUSTOMER DRAWING

DOCUMENT NUMBER: 2035590000-SD  
DOC TYPE: PSD  
DOC PART: 000  
REVISION: C

番号 NO.	部品 PART	材質 MATERIAL
⑤	キャリアテープ CARRIER TAPE	ポリプロピレン(PP)、その他 POLYPROPYLENE(PP), etc
⑥	トップテープ TOP TAPE	ポリエチレン(PE)、その他 POLYETHYLENE(PE), etc

DOCUMENT STATUS: P1  
RELEASE DATE: 2022/03/08 09:37:22



△13 △15 製品一覧 PRODUCT LIST

HOUSING COLOR		
NATURAL(BEIGE)		
203559	1507	15
↑	1407	14
	1307	13
	1207	12
	1107	11
	1007	10
	0907	9
	0807	8
	0707	7
	0607	6
	0507	5
	0407	4
↓	0307	3
203559	0207	2
発注番号 ORDER No.		極数
梱包形態：エンボスリール		CIRCUIT SIZE
PACKAGE:EMBOSSED REEL		

THIS DRAWING CONTAINS INFORMATION THAT IS PROPRIETARY TO MOLEX ELECTRONIC TECHNOLOGIES, LLC AND SHOULD NOT BE USED WITHOUT WRITTEN PERMISSION											
DIMENSION UNITS		SCALE		CURRENT REV DESC:				<b>molex</b>		PICO-CLASP 1.0 W/B SINGLE ROW RA SMT INNER LOCK GOLD PLATING 0.76 MICRO-METER	
mm		NTS									
GENERAL TOLERANCES (UNLESS SPECIFIED)				EC NO: 698195				PRODUCT CUSTOMER DRAWING			
ANGULAR TOL ± 3.0 °				DRWN: MIKEDA01 2022/02/28							
4 PLACES ± 0.2				CHK'D: SAKIYAMA 2022/03/08				DOCUMENT NUMBER <b>2035590000-SD</b>			
3 PLACES ± 0.2				APPR: AIDA 2022/03/08							
2 PLACES ± 0.2				INITIAL REVISION:				DOC TYPE		DOC PART	
1 PLACE ± 0.2				DRWN: AISHIKAWA 2019/04/02				PSD		000	
0 PLACES ± 0.2				APPR: KOMURAKAMI 2019/04/05				C		REVISION	
DRAFT WHERE APPLICABLE MUST REMAIN WITHIN DIMENSIONS		THIRD ANGLE PROJECTION		DRAWING		SERIES		MATERIAL NUMBER		CUSTOMER	
				A3-SIZE		203559		SEE SHEET 6		SHEET NUMBER 6 OF 6	

DOCUMENT STATUS	P1	RELEASE DATE	2022/03/08	09:37:22
-----------------	----	--------------	------------	----------