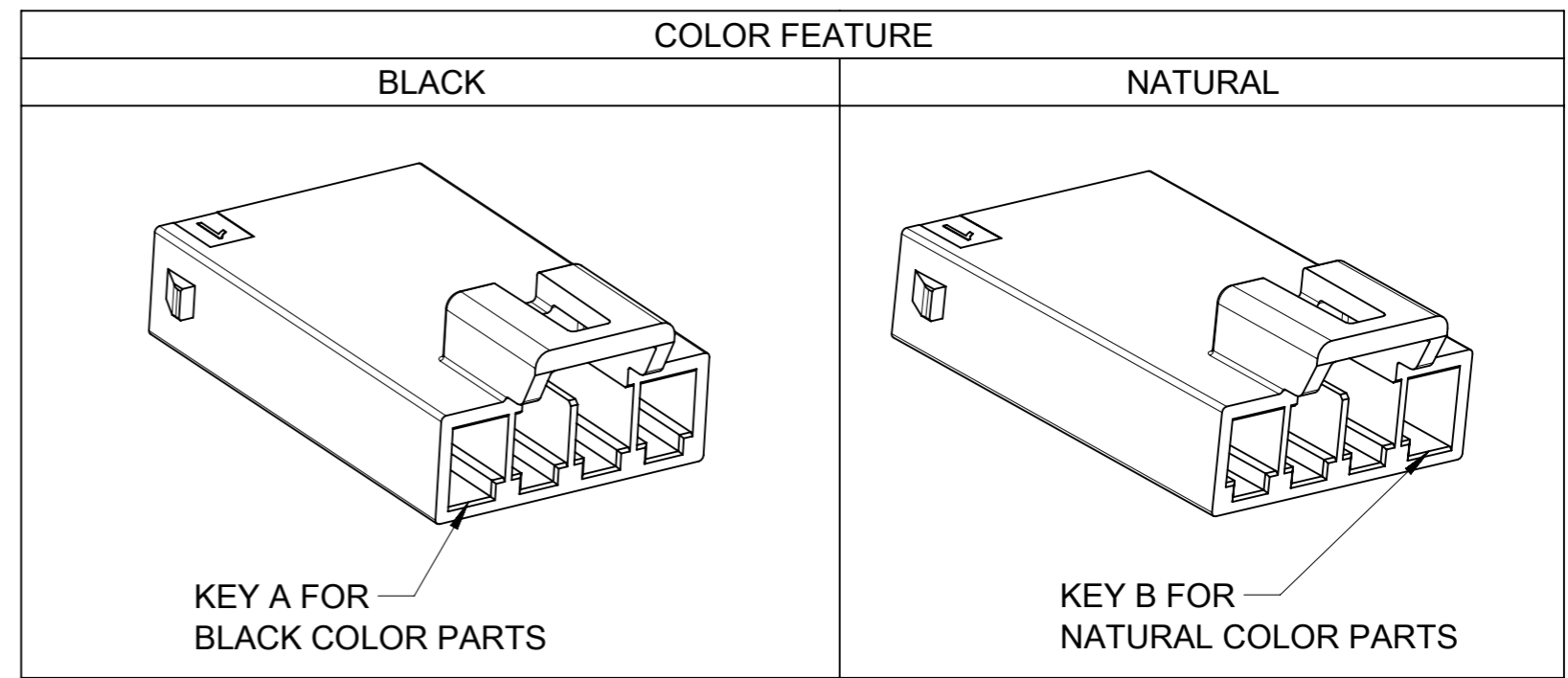
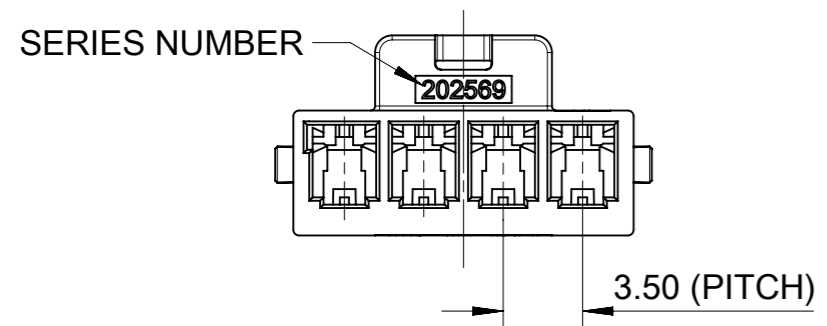
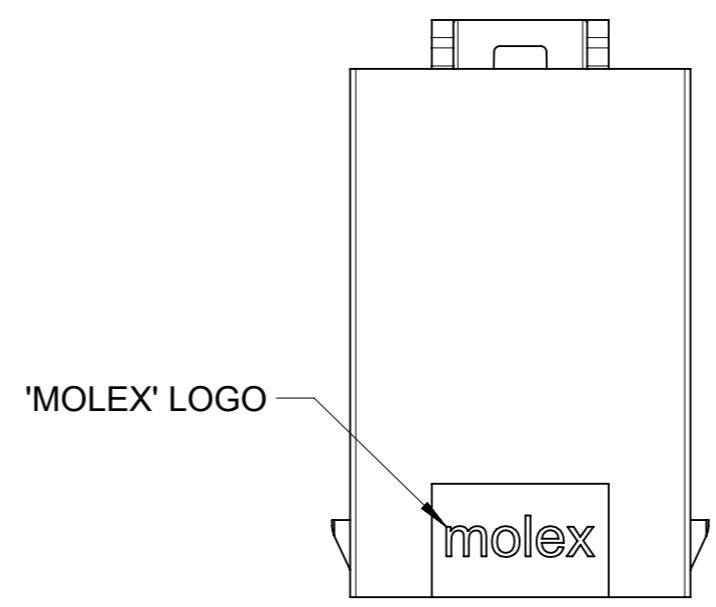
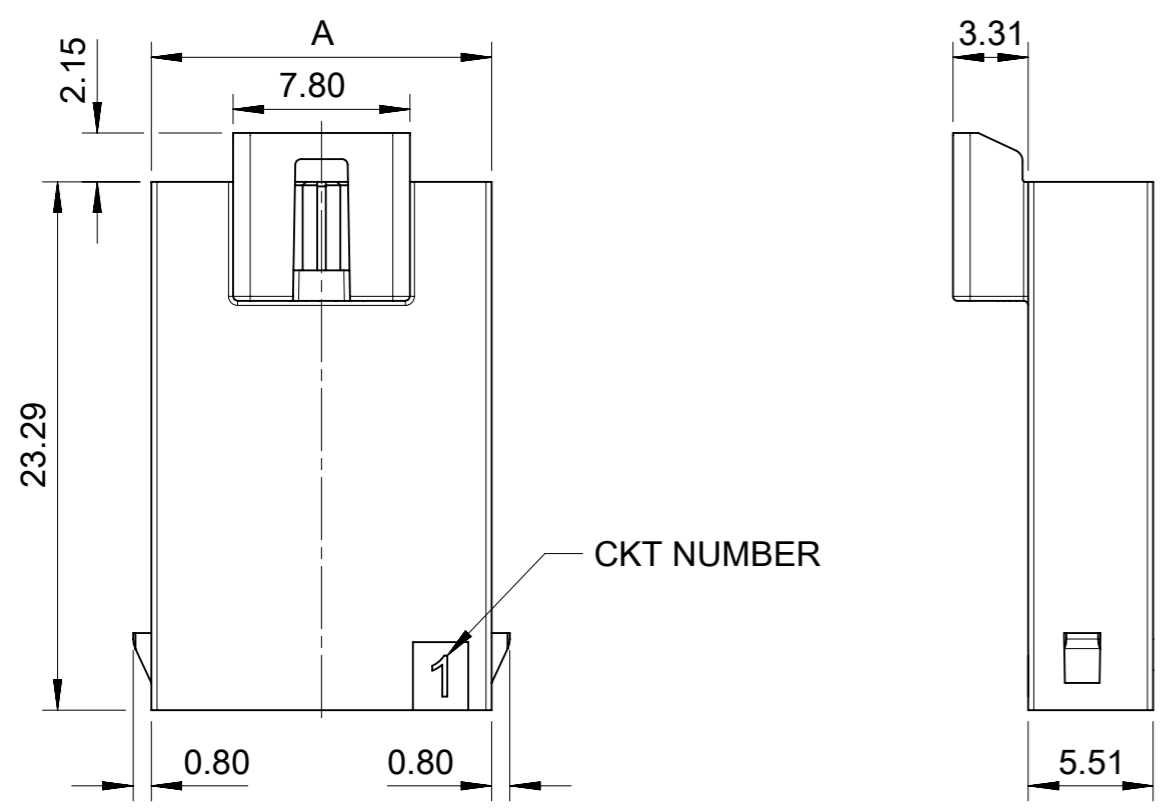


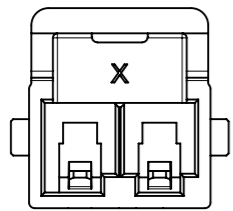
# FREE HANGING PLUG PARTS

PART NUMBER	CIRCUIT SIZE	DIM 'A'	COLOR	TYPE
202569-3002	2	8.0	BLACK	FREE HANGING
202569-3003	3	11.5		
202569-3004	4	15.0		
202569-3005	5	18.5		
202569-3006	6	22.0		
202569-3007	7	25.5		
202569-3008	8	29.0		
202569-4002	2	8.0		
202569-4003	3	11.5		
202569-4004	4	15.0		
202569-4005	5	18.5		
202569-4006	6	22.0		
202569-4007	7	25.5		
202569-4008	8	29.0		

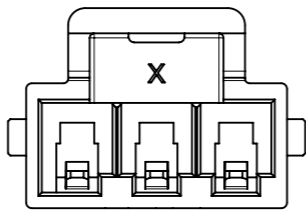


- NOTES:
1. MATERIAL: PA66, 94V-0, BLACK AND NATURAL.
  2. PRODUCT SPECIFICATION: 2169461000-PS.
  3. PACKAGE SPECIFICATION: 2025691000-PK.
  4. TO USE WITH TERMINAL OF 216946-\*\*\*\*.
  5. TO USE WITH TPA OF 172264-\*\*\*\*.
  6. TO MATE WITH RECEPTACLE OF 172256-\*\*\*\*.
  7. PARTS CONFORM TO CLASS 'B' REQUIREMENTS OF COSMETIC SPECIFICATION PS-45499-002.

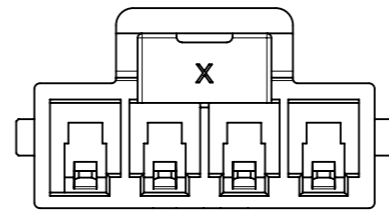
THIS DRAWING CONTAINS INFORMATION THAT IS PROPRIETARY TO MOLEX ELECTRONIC TECHNOLOGIES, LLC AND SHOULD NOT BE USED WITHOUT WRITTEN PERMISSION		CURRENT REV DESC:		<b>molex</b>	
DIMENSION UNITS	SCALE	EC NO: 726545			
mm	NTS	DRWN: LEOW 2022/10/31		PRODUCT CUSTOMER DRAWING	
GENERAL TOLERANCES (UNLESS SPECIFIED)		CHK'D: EDUGGER 2022/11/01		DOCUMENT NUMBER	
ANGULAR TOL ± °		APPR: EDUGGER 2022/11/01		2025691000-SD	
4 PLACES ±		INITIAL REVISION:		DOC TYPE	DOC PART
3 PLACES ±		DRWN: GLLI 2021/07/06		PSD	000
2 PLACES ± 0.2		APPR: EDUGGER 2022/11/01		REVISION	
1 PLACE ± 0.3				A	
0 PLACES ±					
DRAFT WHERE APPLICABLE MUST REMAIN WITHIN DIMENSIONS		THIRD ANGLE PROJECTION	DRAWING	SERIES	MATERIAL NUMBER
			A3-SIZE	202569	CUSTOMER
				GENERAL MARKET	SHEET NUMBER
				1 OF 6	



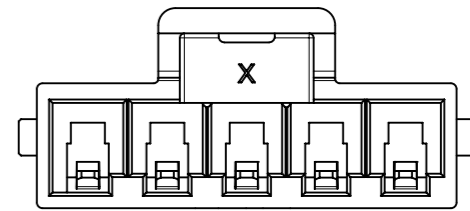
2CKT



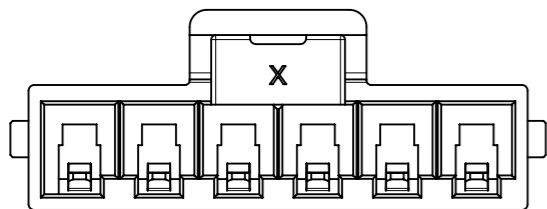
3CKT



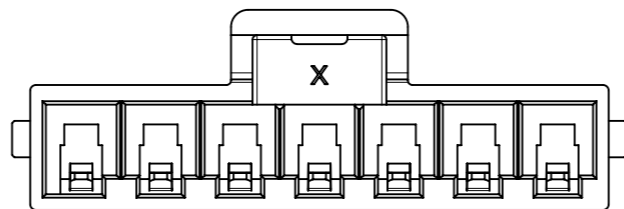
4CKT



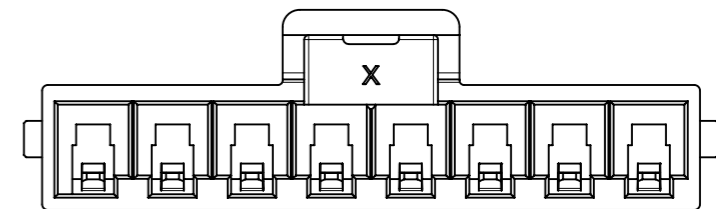
5CKT



6CKT



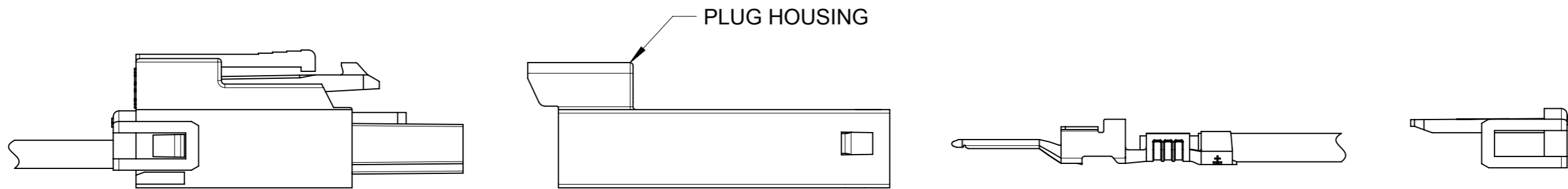
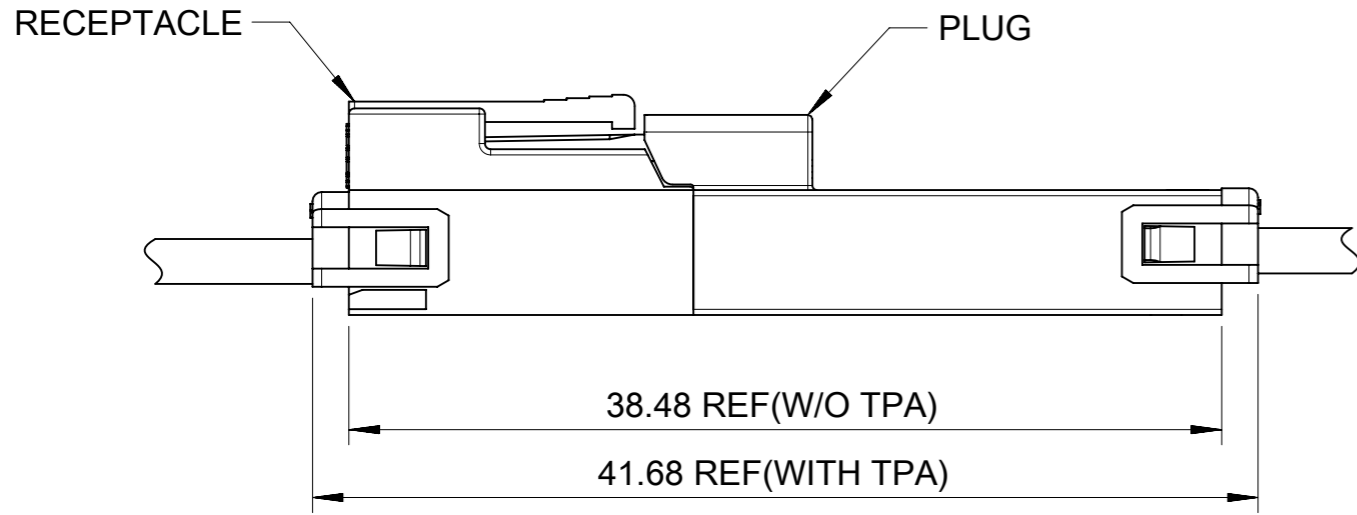
7CKT



8CKT

THIS DRAWING CONTAINS INFORMATION THAT IS PROPRIETARY TO MOLEX ELECTRONIC TECHNOLOGIES, LLC AND SHOULD NOT BE USED WITHOUT WRITTEN PERMISSION									
DIMENSION UNITS		SCALE		CURRENT REV DESC:				<b>molex</b>	
mm		NTS							
GENERAL TOLERANCES (UNLESS SPECIFIED)				EC NO: 726545				PLUG HOUSING OF ULTRA-FIT WTW SR POWER CONNECTOR	
ANGULAR TOL ± °				DRWN: LEOW 2022/10/31				PRODUCT CUSTOMER DRAWING	
4 PLACES ±				CHK'D: EDUGGER 2022/11/01				DOCUMENT NUMBER	
3 PLACES ±				APPR: EDUGGER 2022/11/01				2025691000-SD	
2 PLACES ± 0.2				INITIAL REVISION:				DOC TYPE	
1 PLACE ± 0.3				DRWN: GLLI 2021/07/06				PSD	
0 PLACES ±				APPR: EDUGGER 2022/11/01				DOC PART	
DRAFT WHERE APPLICABLE MUST REMAIN WITHIN DIMENSIONS				THIRD ANGLE PROJECTION		DRAWING		REVISION	
						A3-SIZE		A	
				SERIES		MATERIAL NUMBER		SHEET NUMBER	
				202569		GENERAL MARKET		2 OF 6	

# FREE HANGING PLUG PARTS

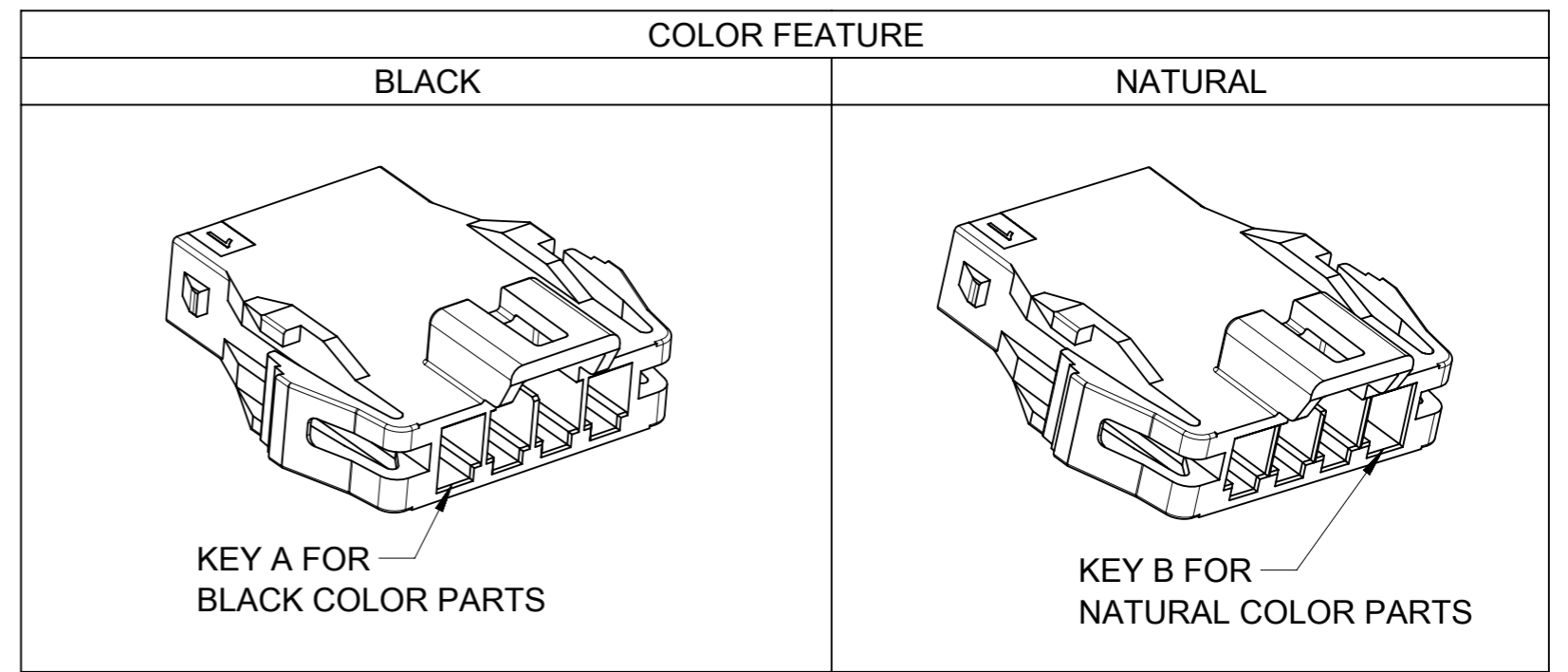
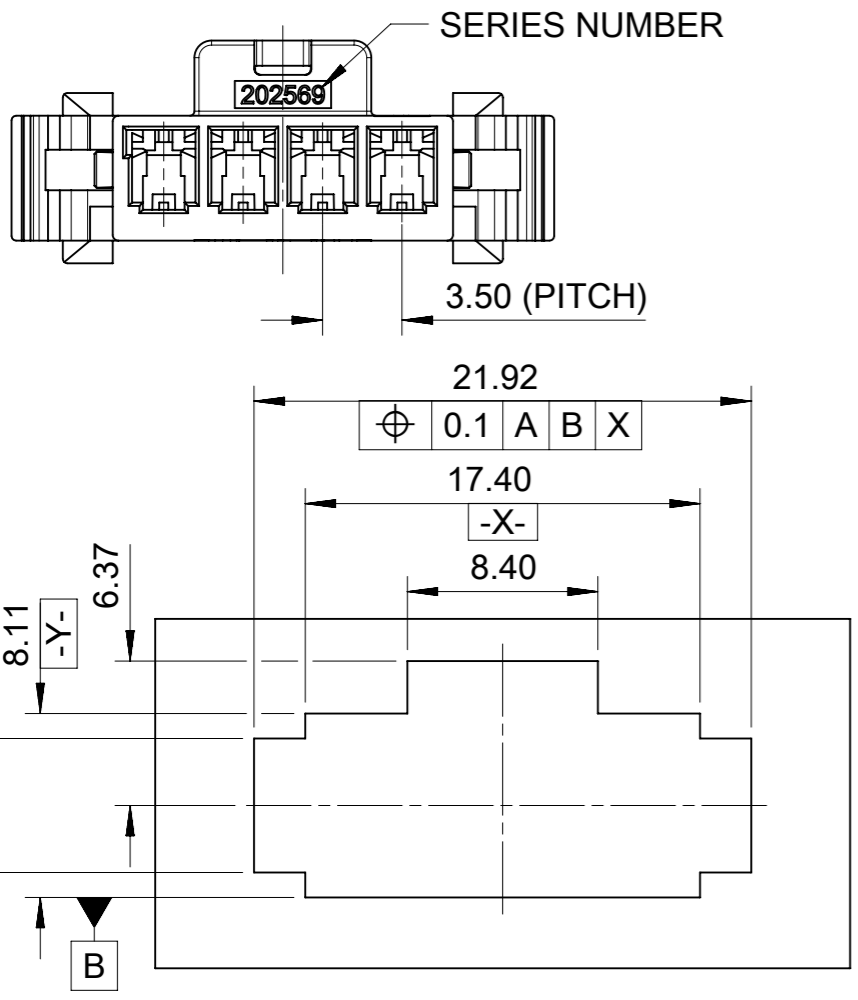
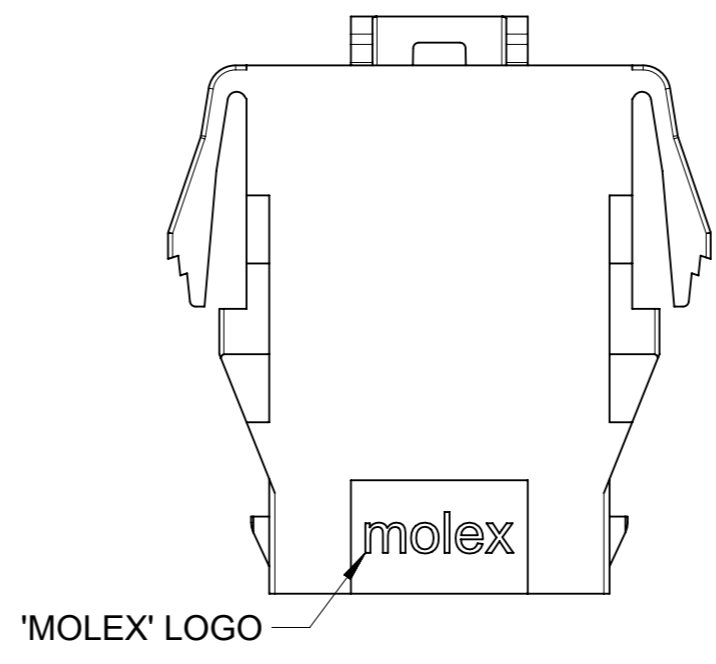
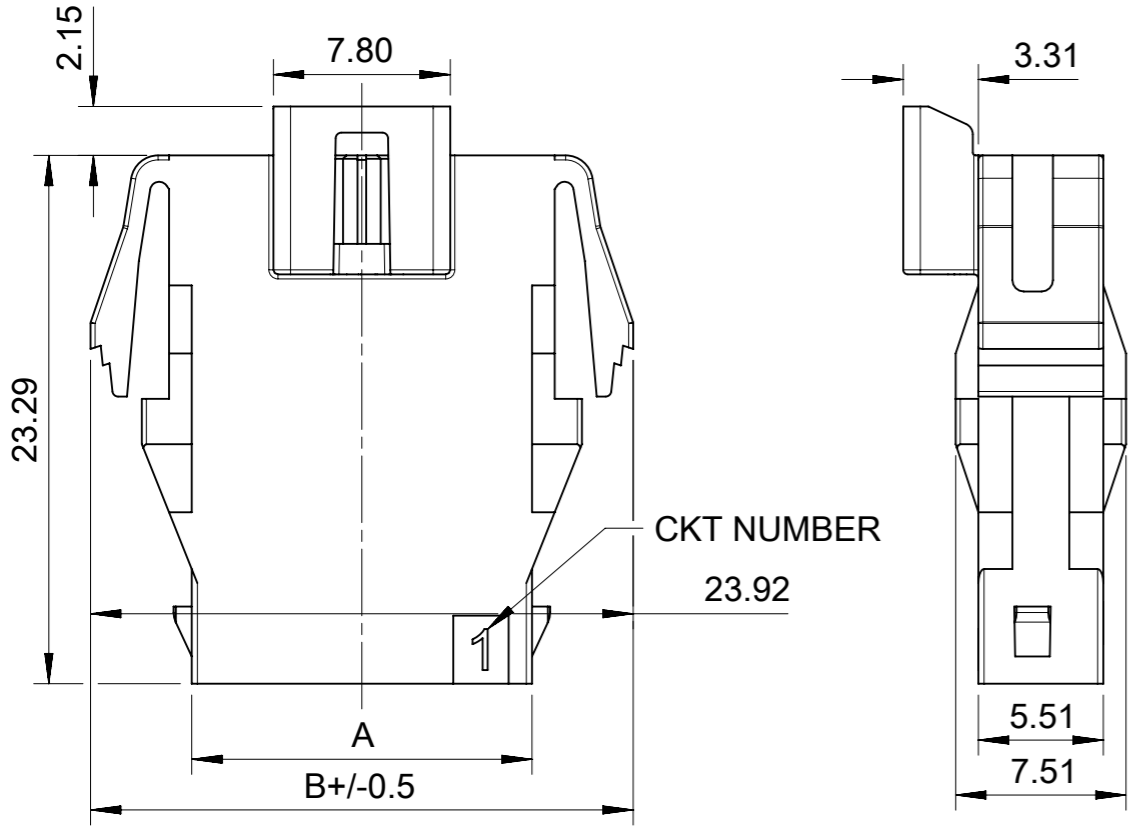


PLUG TERMINAL AND TPA ORIENTATION

THIS DRAWING CONTAINS INFORMATION THAT IS PROPRIETARY TO MOLEX ELECTRONIC TECHNOLOGIES, LLC AND SHOULD NOT BE USED WITHOUT WRITTEN PERMISSION										
DIMENSION UNITS	SCALE	CURRENT REV DESC:					<b>molex</b>			
mm	NTS									
GENERAL TOLERANCES (UNLESS SPECIFIED)							PLUG HOUSING OF ULTRA-FIT WTW SR POWER CONNECTOR			
ANGULAR TOL	±						PRODUCT CUSTOMER DRAWING			
4 PLACES	±						DOCUMENT NUMBER			
3 PLACES	±						2025691000-SD			
2 PLACES	±						DOC TYPE			
1 PLACE	±						PSD			
0 PLACES	±						DOC PART			
DRAFT WHERE APPLICABLE MUST REMAIN WITHIN DIMENSIONS		THIRD ANGLE PROJECTION		DRAWING	SERIES	MATERIAL NUMBER	CUSTOMER	REVISION		
				A3-SIZE	202569		GENERAL MARKET	A		
								3 OF 6		

# PANEL MOUNT PLUG PARTS

PART NUMBER	CIRCUIT SIZE	DIM 'A'	DIM 'B'	COLOR	TYPE
202569-3102	2	8.0	16.92	BLACK	PANEL MOUNT
202569-3103	3	11.5	20.42		
202569-3104	4	15.0	23.92		
202569-3105	5	18.5	27.42		
202569-3106	6	22.0	30.92		
202569-3107	7	25.5	34.42		
202569-3108	8	29.0	37.92		
202569-4102	2	8.0	16.92		
202569-4103	3	11.5	20.42	NATURAL	
202569-4104	4	15.0	23.92		
202569-4105	5	18.5	27.42		
202569-4106	6	22.0	30.92		
202569-4107	7	25.5	34.42		
202569-4108	8	29.0	37.92		



RECOMMENDED PANEL CUT OUT  
(TOLERRANCE +/-0.05 THICKNESS=1.2~2.2MM)

THIS DRAWING CONTAINS INFORMATION THAT IS PROPRIETARY TO MOLEX ELECTRONIC TECHNOLOGIES, LLC AND SHOULD NOT BE USED WITHOUT WRITTEN PERMISSION												
DIMENSION UNITS		SCALE		CURRENT REV DESC:						<b>molex</b>		
mm		NTS										
GENERAL TOLERANCES (UNLESS SPECIFIED)				EC NO: 726545		2022/10/31		PLUG HOUSING OF ULTRA-FIT WTW SR POWER CONNECTOR				
ANGULAR TOL ± °				DRWN: LEOW		2022/11/01		PRODUCT CUSTOMER DRAWING				
4 PLACES ±				CHK'D: EDUGGER		2022/11/01		DOCUMENT NUMBER				
3 PLACES ±				APPR: EDUGGER		2022/11/01		2025691000-SD		DOC TYPE	DOC PART	REVISION
2 PLACES ± 0.2				INITIAL REVISION:				2021/07/06		PSD	000	A
1 PLACE ± 0.3				DRWN: GLLI		2022/11/01		2022/11/01				
0 PLACES ±				APPR: EDUGGER								
DRAFT WHERE APPLICABLE MUST REMAIN WITHIN DIMENSIONS				THIRD ANGLE PROJECTION		DRAWING		SERIES		MATERIAL NUMBER		CUSTOMER
				A3-SIZE		202569		GENERAL MARKET		SHEET NUMBER		4 OF 6

10

9

8

7

6

5

4

3

2

1

F

F

E

E

D

D

C

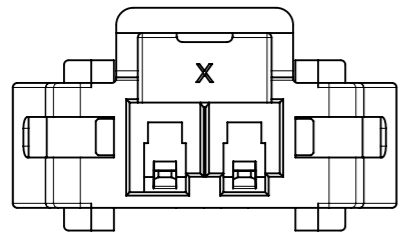
C

B

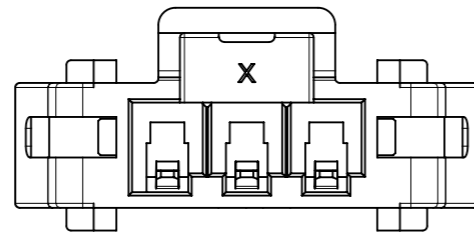
B

A

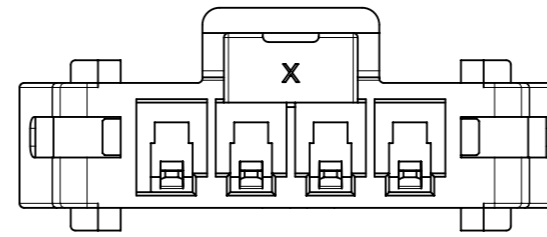
A



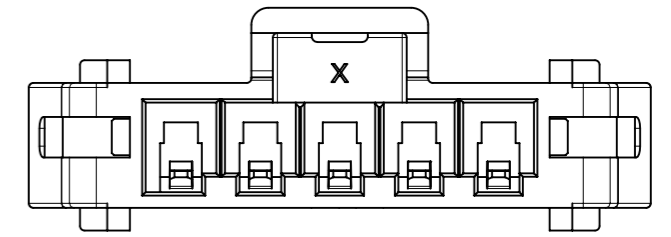
2CKT



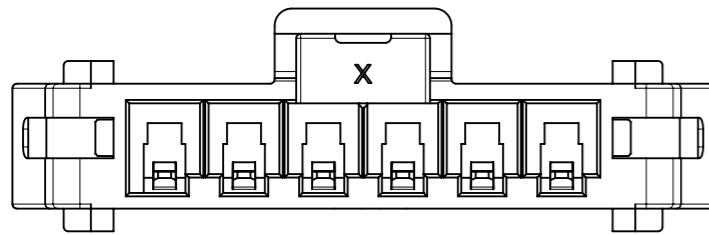
3CKT



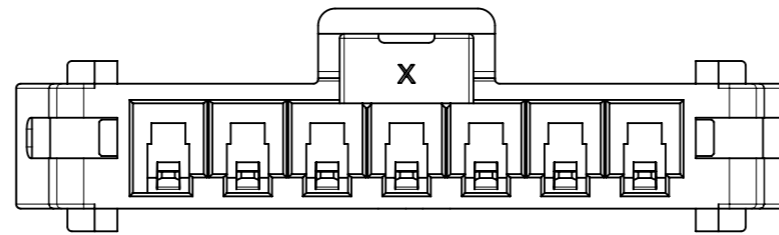
4CKT



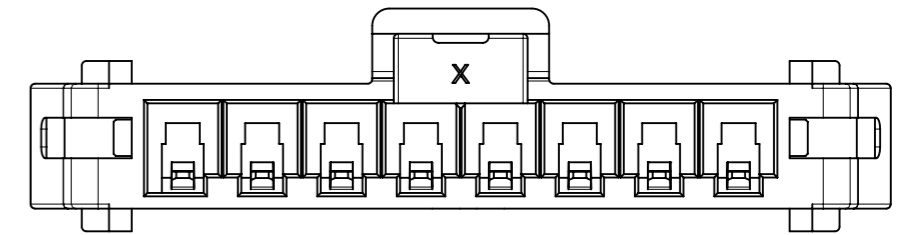
5CKT



6CKT



7CKT



8CKT

THIS DRAWING CONTAINS INFORMATION THAT IS PROPRIETARY TO MOLEX ELECTRONIC TECHNOLOGIES, LLC AND SHOULD NOT BE USED WITHOUT WRITTEN PERMISSION											
DIMENSION UNITS		SCALE		CURRENT REV DESC:							
mm		NTS									
GENERAL TOLERANCES (UNLESS SPECIFIED)				EC NO: 726545						<b>PLUG HOUSING OF ULTRA-FIT WTW SR POWER CONNECTOR</b>	
ANGULAR TOL ± °				DRWN: LEOW 2022/10/31							
4 PLACES ±				CHK'D: EDUGGER 2022/11/01						<b>PRODUCT CUSTOMER DRAWING</b>	
3 PLACES ±				APPR: EDUGGER 2022/11/01							
2 PLACES ± 0.2				INITIAL REVISION:						DOCUMENT NUMBER: <b>2025691000-SD</b>	
1 PLACE ± 0.3				DRWN: GLLI 2021/07/06							
0 PLACES ±				APPR: EDUGGER 2022/11/01						DOC TYPE: PSD	
DRAFT WHERE APPLICABLE MUST REMAIN WITHIN DIMENSIONS		THIRD ANGLE PROJECTION		DRAWING		SERIES		MATERIAL NUMBER		CUSTOMER	
				A3-SIZE		202569		GENERAL MARKET		SHEET NUMBER: 5 OF 6	

DOCUMENT STATUS	P1	RELEASE DATE	2022/11/01	13:33:31
-----------------	----	--------------	------------	----------

9

8

7

6

5

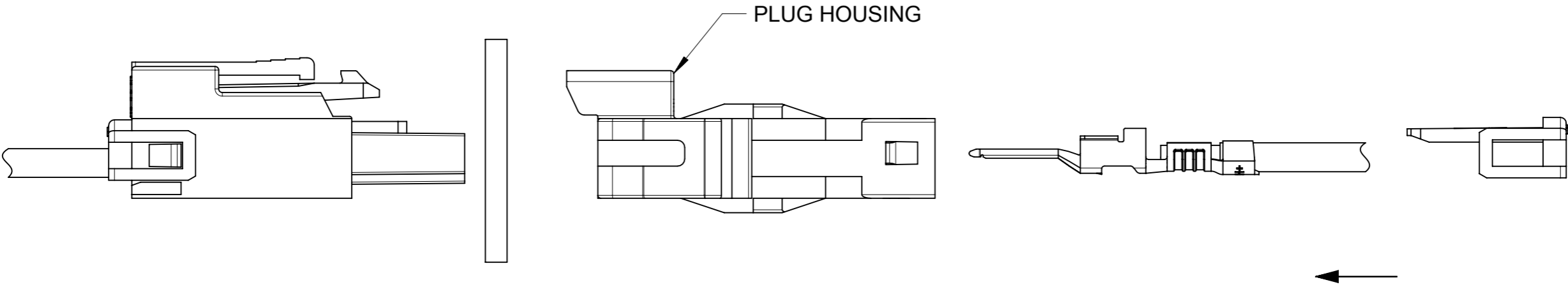
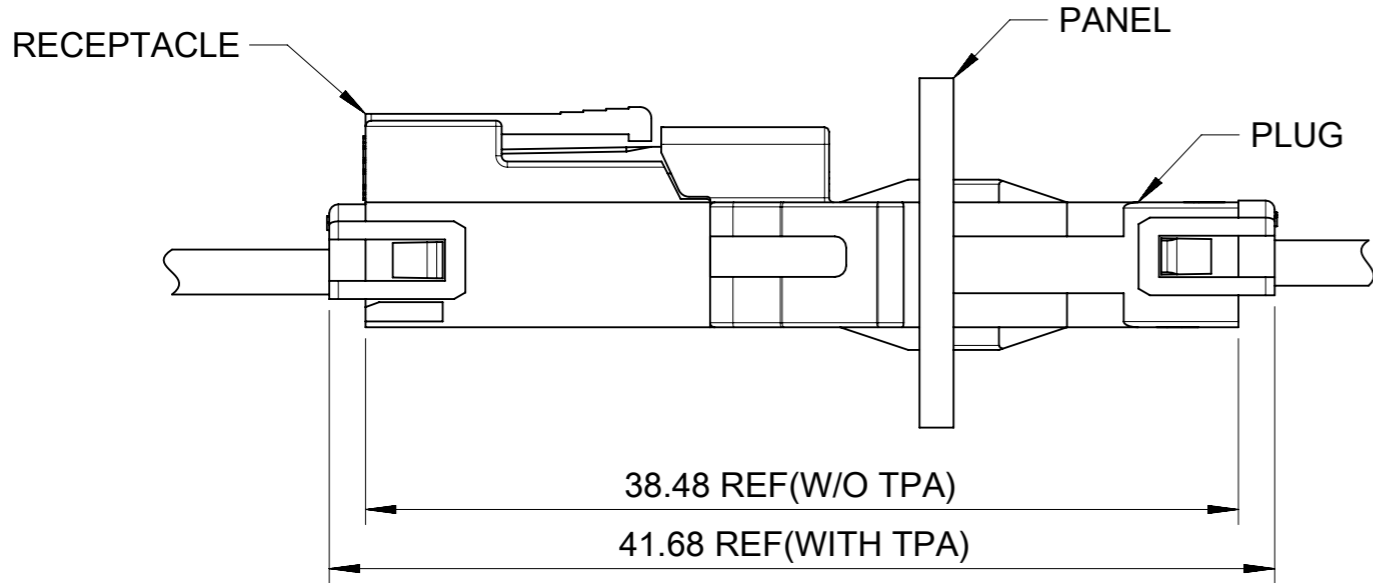
4

3

2

1

# PANEL MOUNT PLUG PARTS



PLUG TERMINAL AND TPA ORIENTATION

THIS DRAWING CONTAINS INFORMATION THAT IS PROPRIETARY TO MOLEX ELECTRONIC TECHNOLOGIES, LLC AND SHOULD NOT BE USED WITHOUT WRITTEN PERMISSION												
DIMENSION UNITS		SCALE		CURRENT REV DESC:				<b>molex</b>				
mm		NTS										
GENERAL TOLERANCES (UNLESS SPECIFIED)				EC NO: 726545 DRWN: LEOW 2022/10/31 CHK'D: EDUGGER 2022/11/01 APPR: EDUGGER 2022/11/01 INITIAL REVISION: DRWN: GLLI 2021/07/06 APPR: EDUGGER 2022/11/01				PLUG HOUSING OF ULTRA-FIT WTW SR POWER CONNECTOR				
ANGULAR TOL ± °								PRODUCT CUSTOMER DRAWING				
4 PLACES ±								DOCUMENT NUMBER		DOC TYPE	DOC PART	REVISION
3 PLACES ±								2025691000-SD		PSD	000	A
2 PLACES ± 0.2								MATERIAL NUMBER		CUSTOMER		SHEET NUMBER
1 PLACE ± 0.3				A3-SIZE		GENERAL MARKET		6 OF 6				
0 PLACES ±				SERIES								
DRAFT WHERE APPLICABLE MUST REMAIN WITHIN DIMENSIONS				THIRD ANGLE PROJECTION		DRAWING		SHEET NUMBER				
						A3-SIZE		202569				