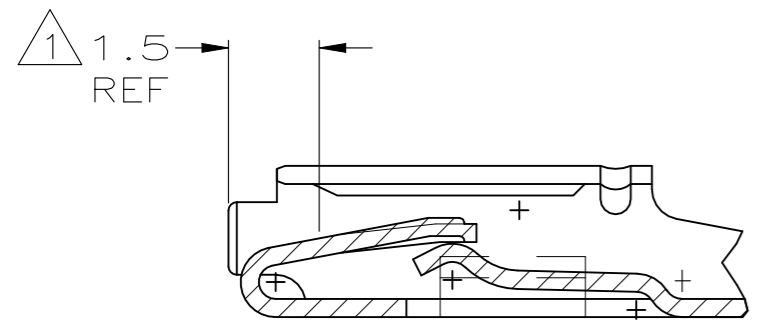
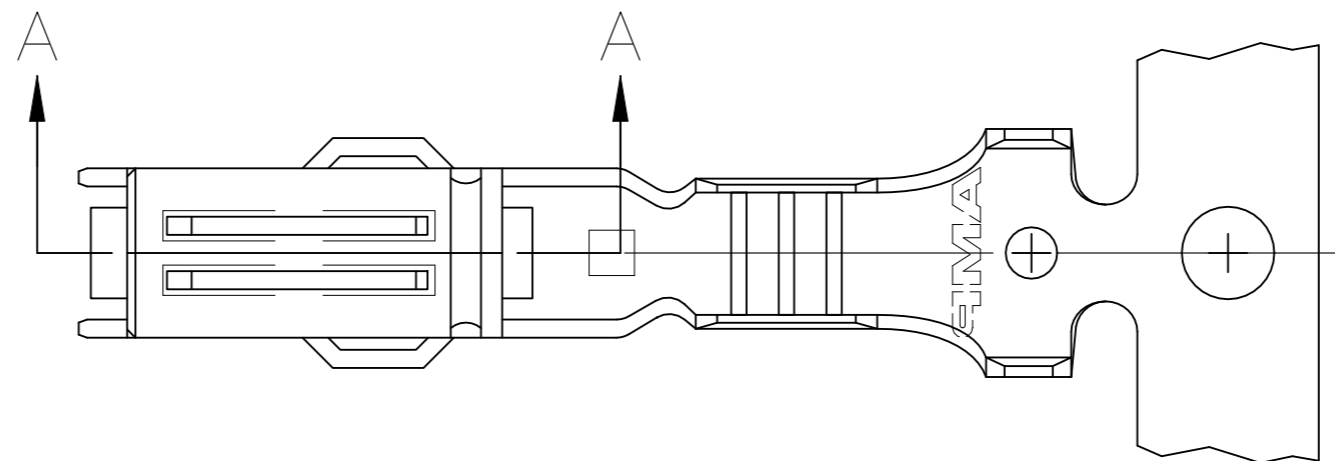
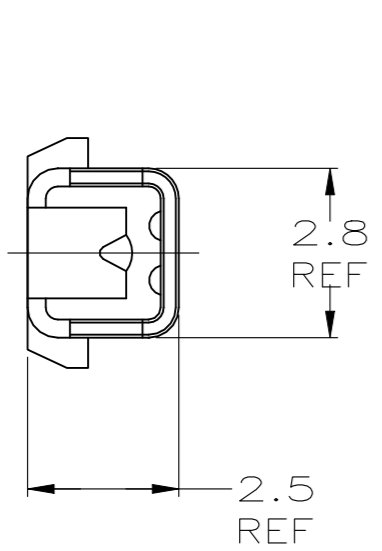
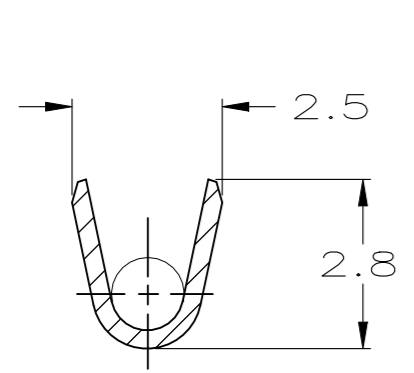
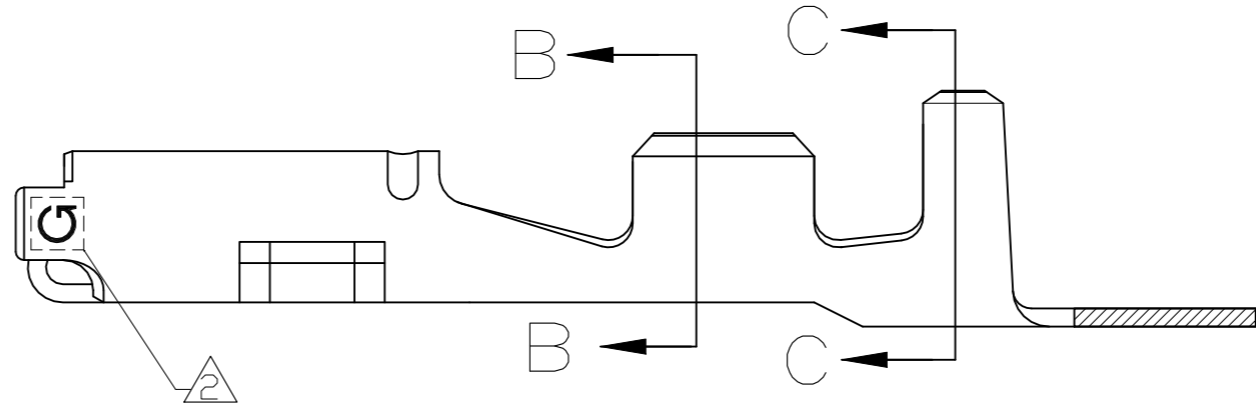


REVISIONS					
P	LTR	DESCRIPTION	DATE	DWN	APVD
	B	REVISED PER ECO-21-002133	15APR2021	SM	AH

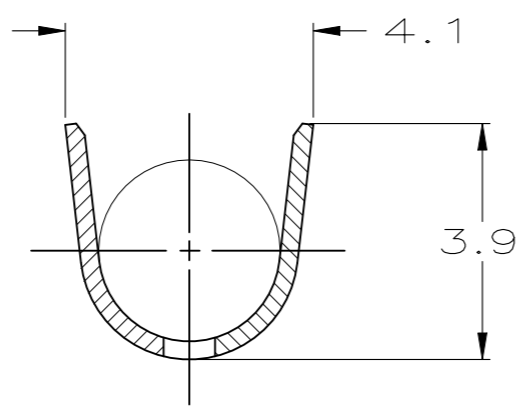
- ① NYE FLUOROETHER GREASE
- ② FOR GOLD PLATED PART ONLY - AT LEAST ONE "G" INDICATOR MUST BE VISIBLE IN THIS LOCATION ON EITHER SIDE INDICATING GOLD PLATED CONTACT



SECTION A-A
SCALE 8:1



SECTION B-B



SECTION C-C

TIN	1.2 - 2.1 ϕ	AVS 0.3 - 1.0mm ² (#22 - #18 AWG)	184373-2
SELECT GOLD	1.2 - 2.1 ϕ	AVS 0.3 - 1.0mm ² (#22 - #18 AWG)	184373-1
FINISH	INSULATION DIAMETER	WIRE RANGE	PART NUMBER

THIS DRAWING IS A CONTROLLED DOCUMENT.		DWN P. COLLINS 8-14-00	STE TE Connectivity	
DIMENSIONS: mm		CHK M. HUDDLESTON 8-14-00		
TOLERANCES UNLESS OTHERWISE SPECIFIED:		APVD M. HUDDLESTON 8-14-00	NAME CONTACT, RECEPTACLE, .070	
0 PLC ± -		PRODUCT SPEC	-	
1 PLC ± 0.3		APPLICATION SPEC	-	
2 PLC ± -		WEIGHT	SIZE A3	CAGE CODE 00779
3 PLC ± -		FINISH -	DRAWING NO C-184373	RESTRICTED TO -
4 PLC ± -			SCALE 8:1	SHEET 1 OF 1
ANGLES ± 2°		CUSTOMER DRAWING		
MATERIAL PH BRZ (0.3 THK)				