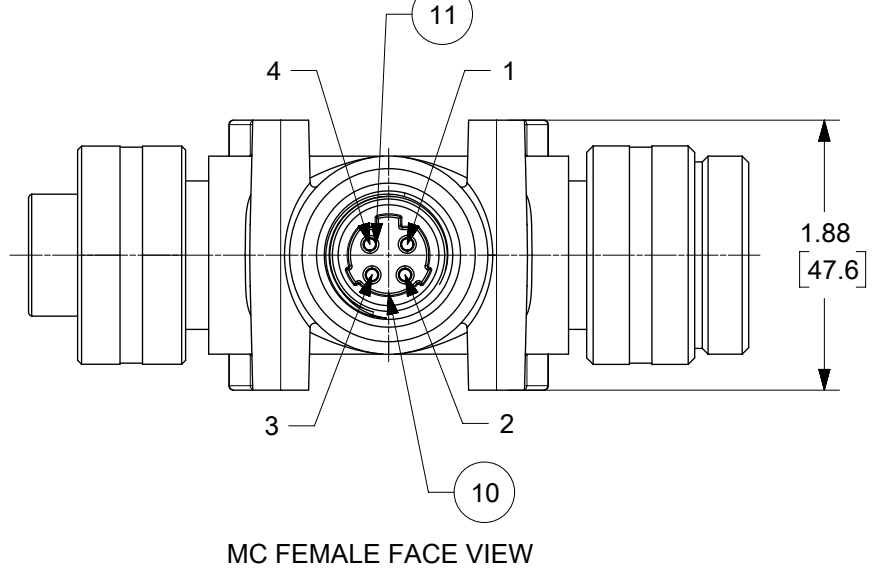
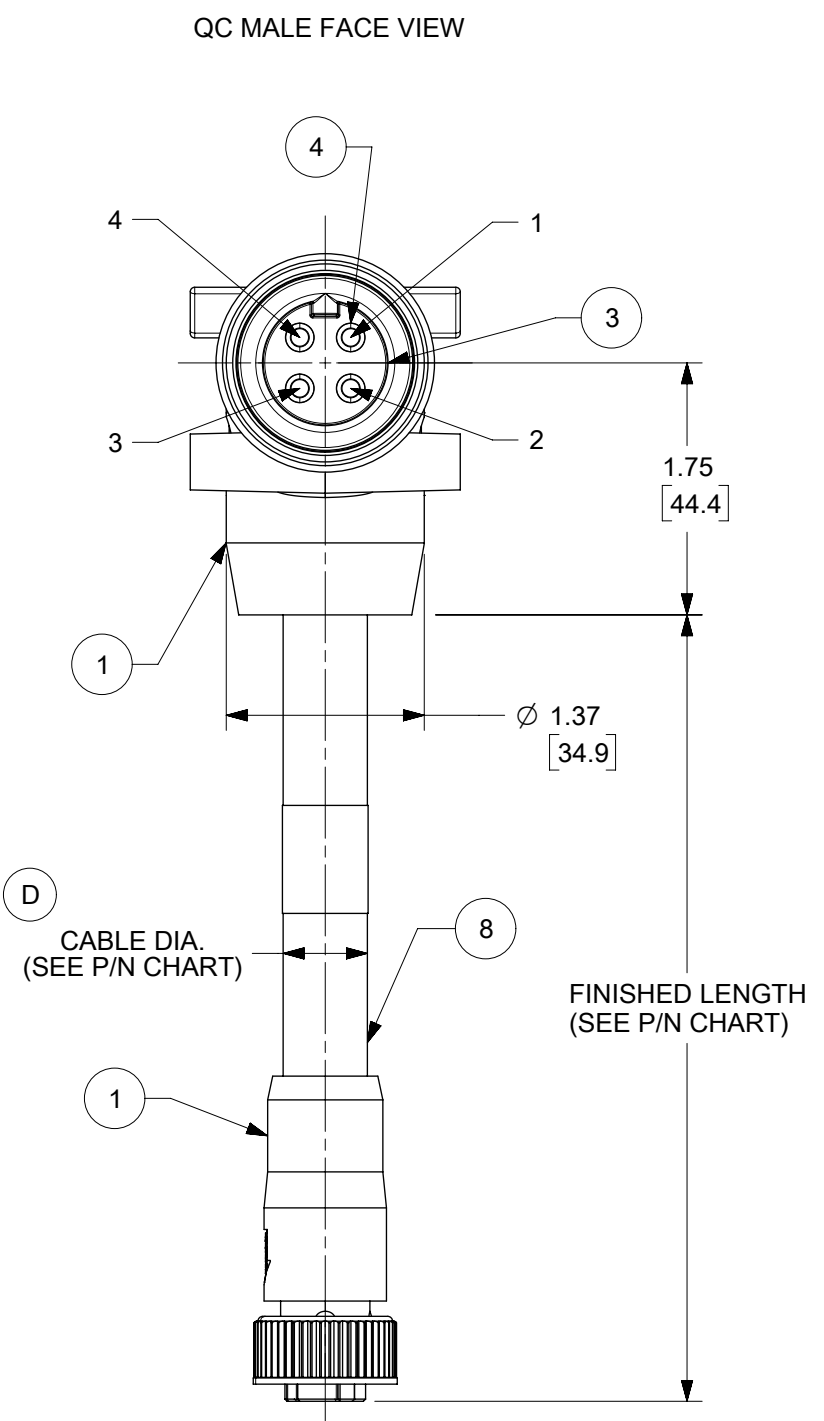
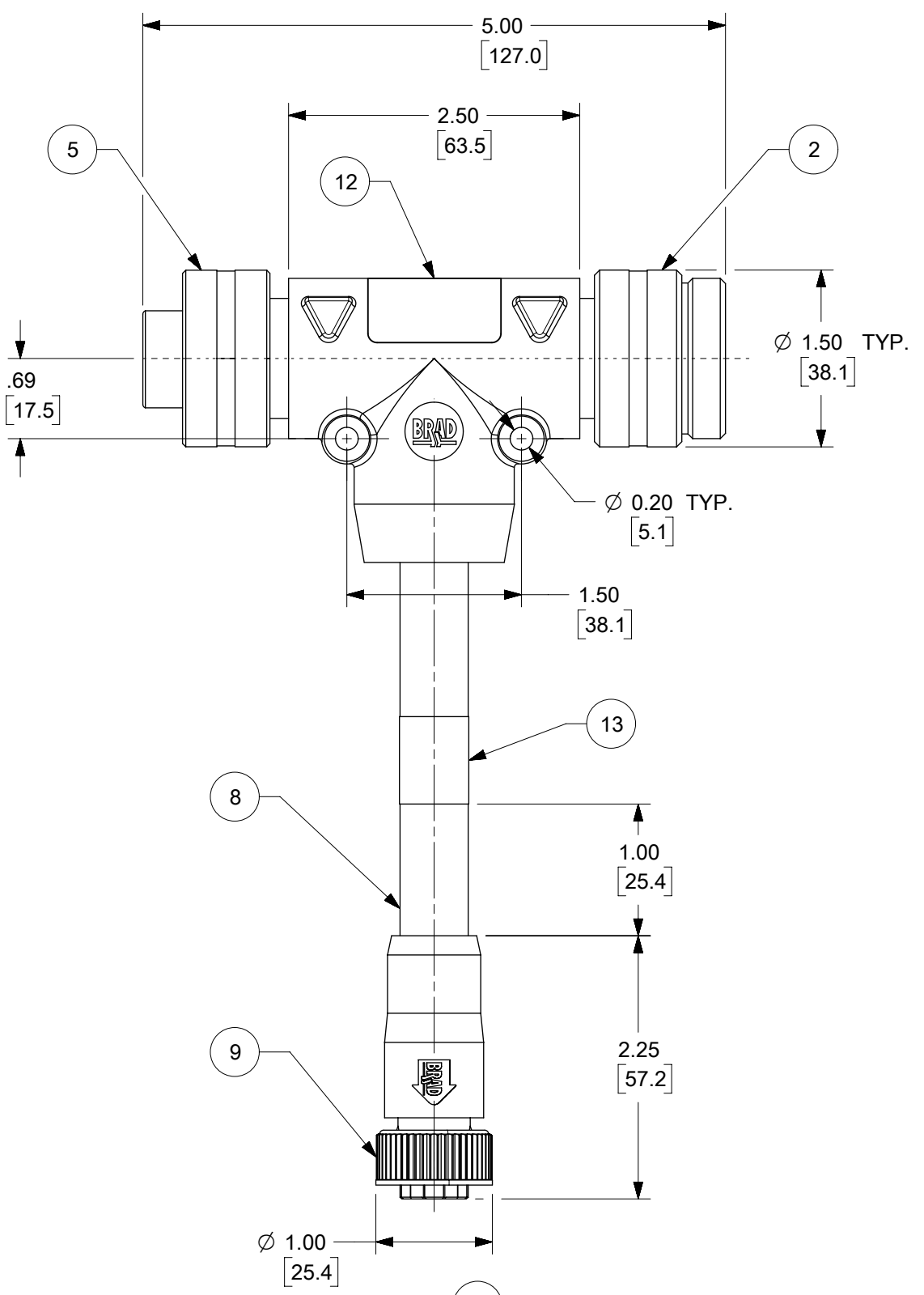
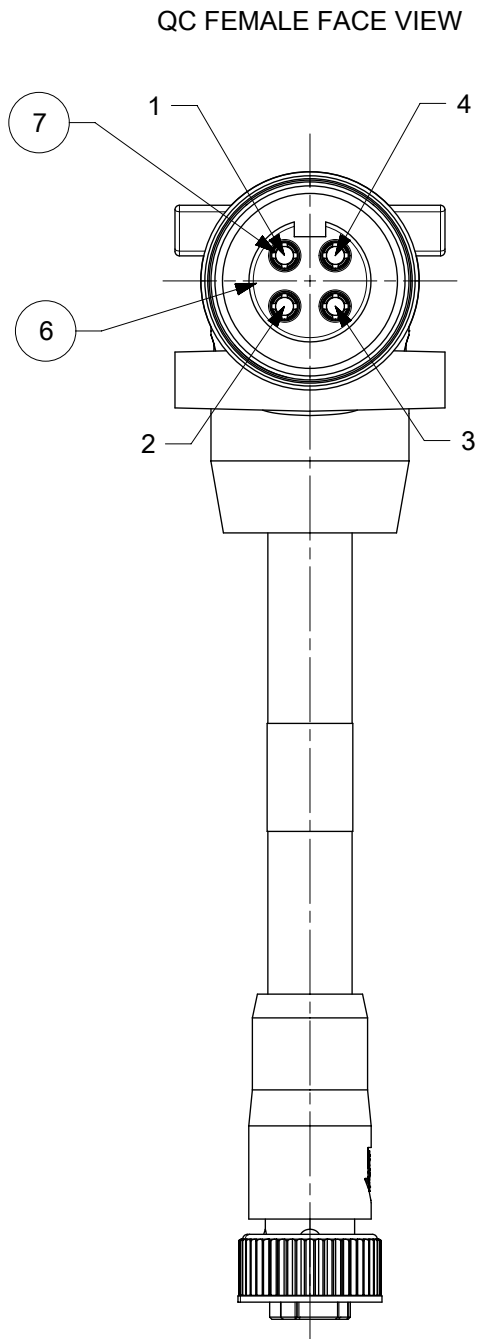
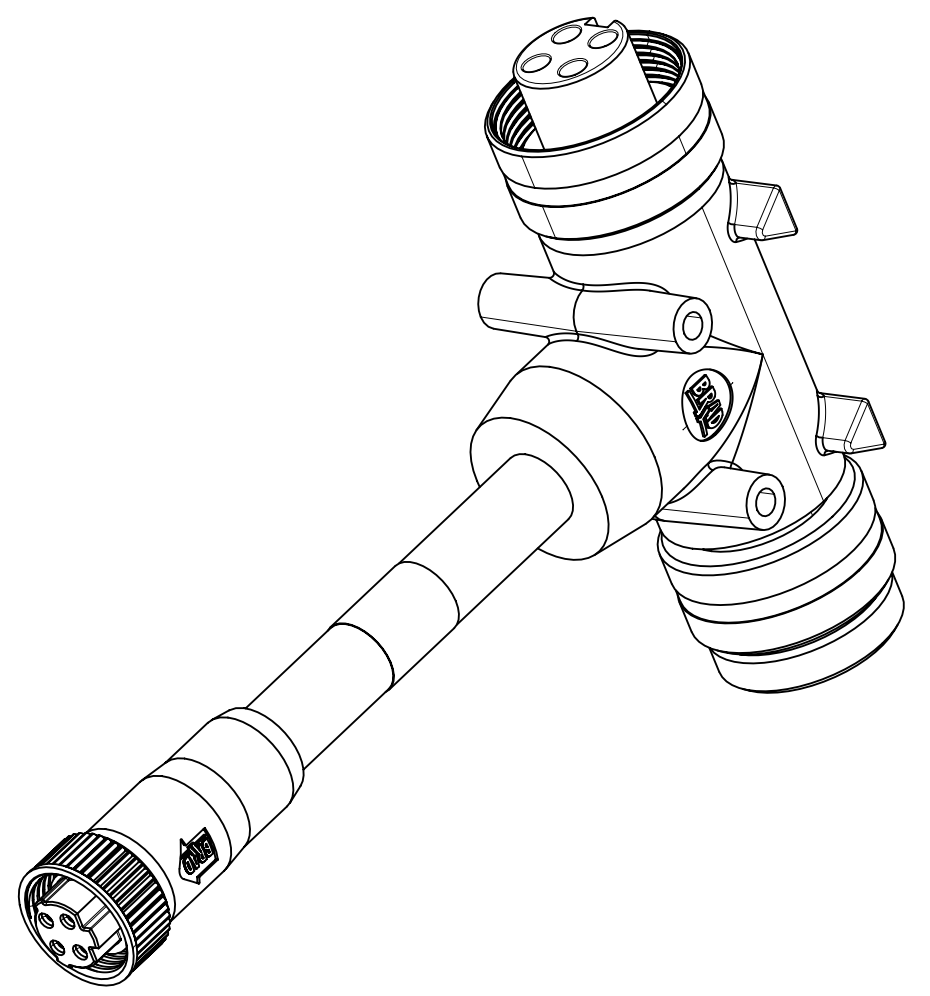


PART NO.	ENGINEERING NO.	FINISHED LENGTH	REF. CABLE	CABLE COLOR	CABLE DIA.
1300680095	TC40300A56M020G	6FT 7IN [2.0M]	A56 (STANDARD)	BLACK	.59 [15.0]
1300680096	TC40300A79M020G	6FT 7IN [2.0M]	A79 (FLEX RATED 3 MIL)	GRAY	.60 [15.2]
1300680113	TC40300K27M020G	6FT 7IN [2.0M]	K27 (HI FLEX 10 MIL)	BLACK	.40 [10.2]
1300680098	TC40300A79M010G	3FT 3IN [1.0M]	A79 (FLEX RATED 3 MIL)	GRAY	.60 [15.2]
1300680100	TC40300A56M030G	9FT 10 IN [3.0M]	A56 (STANDARD)	BLACK	.59 [15.0]

CABLE LENGTH TOLERANCES
<.3M [1FT]: +19mm-0 [+ .75in-0]
.3 - .9M [1 - 3FT]: +44.5mm-0 [+1.75in-0]
.9 - 1.8M [3 - 6FT]: +55.6mm-0 [+2.19in-0]
1.8 - 3.7M [6 - 12FT]: +88.9mm-0 [+3.50in-0]
3.7 - 7.3M [12 - 24FT]: +165.1mm-0 [+6.50in-0]
7.3-14.6M [24 - 48FT]: +317.5mm-0 [+12.50in-0]
14.6 - 30.5M [48-100FT]: +622.3mm-0 [+24.50in-0]
OVER 30M [100FT] +2% OF FINISHED LENGTH

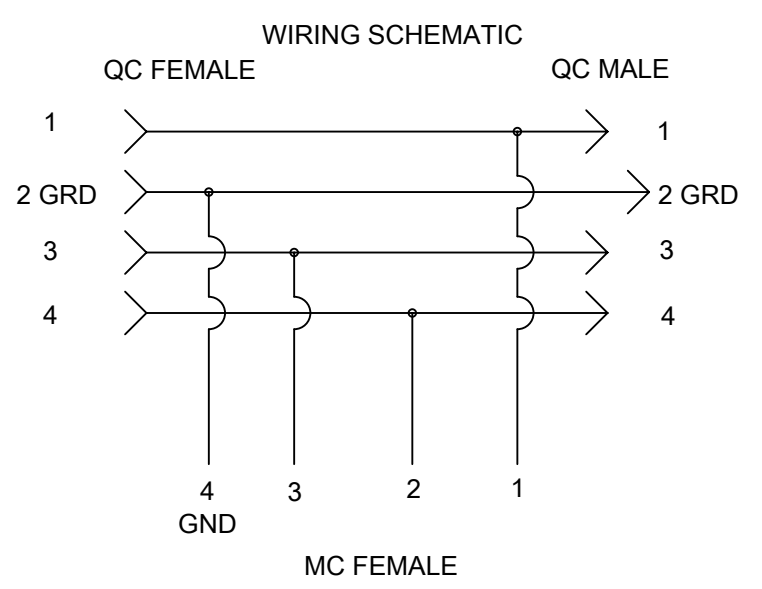


PART NUMBER LEGEND
TC40300K27M010G
LENGTH
M001 = .1 METERS
M010 = 1.0 METERS
M100 = 10 METERS
CABLE TYPE:
A56 - 14AWG TC-ER BLACK TPE
A79 - 14AWG TC-ER GRAY TPE-FLEX RATED
K27 - 14AWG TC-ER BLACK TPE-HI FLEX



- NOTES:**
1. MATERIAL: AS NOTED
2. FINISH: AS NOTED
3. ELECTRICAL:
VOLTAGE: 500V PER IEC60664
600V PER UL2237
4. MAX THRU CURRENT: 32A
MAX DROP CURRENT: 15A
5. TEMP RATING: -20°C TO +90°C
6. PROTECTION: IP67 (WHEN MATED)
7. UL LISTED FILE: E258922
8. ALL DIMS ARE FOR REFERENCE UNLESS TOLERANCED OR NOTED OTHERWISE

#	DESCRIPTION	MATERIAL	FINISH
13	MC WARNING LABEL	VINYL	BLACK/YELLOW
12	QC WARNING LABEL	POLYESTER	BLACK/ORANGE
11	MC SOCKET CONTACT	CU ALLOY	GOLD PLATED
10	MC FEMALE INSERT	TPE	BLACK
9	MC COUPLING NUT	ZINC ALLOY	BLACK E-COAT
8	CABLE, 14 AWG-4 TYPE TC-ER, STOOV	PVC	SEE CHART
7	QC SOCKET CONTACT	CU ALLOY	GOLD PLATED
6	QC FEMALE INSERT	TPE	BLACK
5	QC FEMALE COUPLING NUT	ALUMINUM	CLEAR ANODIZE
4	QC PIN CONTACT	CU ALLOY	GOLD PLATED
3	QC MALE INSERT	TPE	BLACK
2	QC MALE COUPLING NUT	ALUMINUM	CLEAR ANODIZE
1	OVERMOLDS	TPE	BLACK
#	DESCRIPTION	MATERIAL	FINISH



FUNCTIONAL SYMBOLS	THIS DRAWING CONTAINS INFORMATION THAT IS PROPRIETARY TO MOLEX ELECTRONIC TECHNOLOGIES, LLC AND SHOULD NOT BE USED WITHOUT WRITTEN PERMISSION		CURRENT REV DESC: MAX THRU CURRENT WAS 25A, INSERTS AND O-MOLD CHANGED TO TPE	
	DIMENSION UNITS: IN/MM 1:1.333333		UPDATE NOTES, UPDATE P/N CHART, ADD CABLE DIA.	
DIVISIONAL SYMBOLS	GENERAL TOLERANCES (UNLESS SPECIFIED)		EC NO: 690918	
	4 PLACES ±		DRWN: RSTONE 2022/01/06	
3 PLACES ±		CHK'D: MZIELINSKI 2022/01/27		
2 PLACES ±		APPR: BWOODMAN 2022/02/02		
1 PLACE ±		INITIAL REVISION:		
0 PLACES ±		DRWN: BRUPERT 2011/11/02		
ANGULAR TOL ± °		APPR: JFMURPHY 2012/03/20		
DRAFT WHERE APPLICABLE MUST REMAIN WITHIN DIMENSIONS		THIRD ANGLE PROJECTION	DRAWING: C-SIZE	SERIES: 130068
DOCUMENT STATUS: P1		RELEASE DATE: 2022/02/02	23:12:57	DOCUMENT NUMBER: SD-130068-018
				DOC TYPE: PSD
				DOC PART: 001
				REVISION: D
				MATERIAL NUMBER: SEE P/N CHART
				CUSTOMER: GENERAL MARKET
				SHEET NUMBER: 1 OF 1