

NOTES :

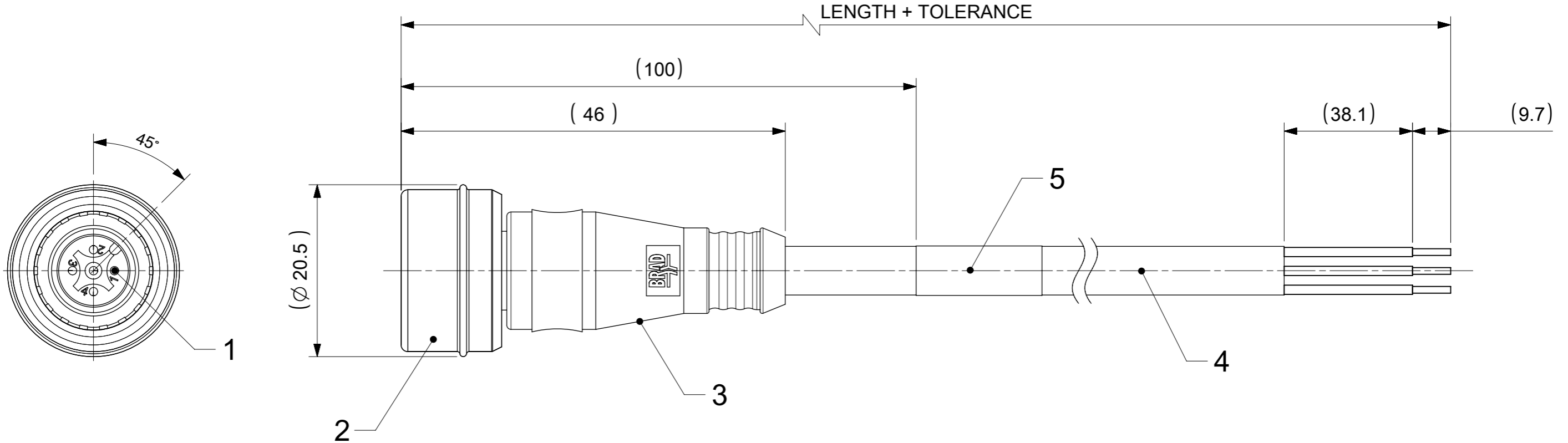
CURRENT RATING: 4A
 VOLTAGE RATING: 250V
 PROTECTION CLASS: IP 67/68/69K
 TEMPERATURE: -25°C / +85°C

PART NO MATRIX

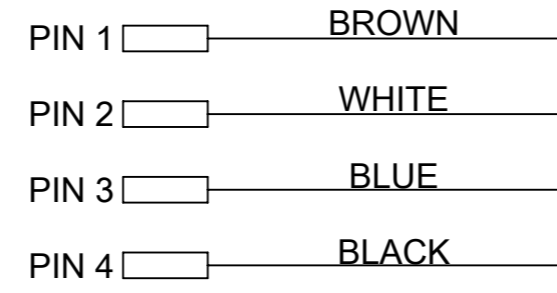
W 0 4 0 0 6 K 0 5 X X X X X

OPTIONS

W0 = U12 SINGLE ENDED
 HEADER : 006 = MALE STRAIGHT
 CABLE TYPE : SEE TABLE 1
 UNIT: M = METER, C = CENTIMETER, T = 10x METER
 LENGTH EXAMPLE: 010 = 1 m, 050 = 5 m, 100 = 10 m
 OVERMOULD : BLANK = YELLOW, A = GREY, G = BLACK, Y = YELLOW
 ULTRA LOCK ASSEMBLY: BLANK = BRASS, Ni PLATED, 8 = STAINLESS STEEL, EPDM ORING, H = 2 PCS. OF I/D CARIERR



WIRING DIAGRAM



PART LIST

No.	Molex P/N	Engineering no.	Cable Length[mm]
1	1200790140	W04006K05M100	10000
2	1200790141	W04006K05M060	6000
3	1200790142	W04006K05M050	5000
4	1200790143	W04006K05M040	4000
5	1200790156	W04006K05M020	2000
6	1200798105	W05006K05M004	400

BOM

ITEM	QTY.	DESCRIPTION	MATERIAL	FINISH/COLOR
5	1	LABEL	VINYL	YELLOW
4	-	CABLE	TPE	YELLOW
3	-	OVERMOULD	TPU	YELLOW
2	1	ULTRALOCK ASSEMBLY 4 POLE	-	-
1	4	CONTACT M12 MALE	BRASS	SELECTIVE GOLD OVER NICKEL

TABLE OF LENGTH TOLERANCES

OVER	UP TO AND INCLUDING	TOLERANCE
0	305	+19
305	915	+45
915	1830	+56
1830	3660	+89
3660	7320	+165
7320	14640	+317
14640	30500	+610
30500	>	+2% OF LENGTH

THIS DRAWING CONTAINS INFORMATION THAT IS PROPRIETARY TO MOLEX ELECTRONIC TECHNOLOGIES, LLC AND SHOULD NOT BE USED WITHOUT WRITTEN PERMISSION

FUNCTIONAL SYMBOLS: $\nabla/A = 0$, $\nabla/E = 0$, $\nabla/V = 0$

DIMENSION UNITS: mm, SCALE: 2:1

GENERAL TOLERANCES (UNLESS SPECIFIED): ANGULAR TOL $\pm 1.0^\circ$

DIVISIONAL SYMBOLS: 4 PLACES \pm , 3 PLACES \pm , 2 PLACES ± 0.05 , 1 PLACE ± 0.3 , 0 PLACES ± 0.5

DRAFT WHERE APPLICABLE MUST REMAIN WITHIN DIMENSIONS

THIRD ANGLE PROJECTION

DRAWING: A3-SIZE, SERIES: 120079, MATERIAL NUMBER: SEE PART LIST, CUSTOMER: GENERAL MARKET, SHEET NUMBER: 1 OF 1

CURRENT REV DESC: EC NO: 698441, DRWN: SSM, 2022/02/22, CHK'D: RSILLER, 2022/03/08, APPR: RSILLER, 2022/03/08

INITIAL REVISION: DRWN: SSM, 2022/02/22, APPR: RSILLER, 2022/03/08

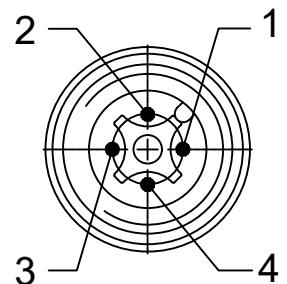
DOCUMENT NUMBER: 1200790156, DOC TYPE: PSD, DOC PART: 000, REVISION: A

molex

CSE U12 4P AC MA STR PVC XM SE UNSH YE

PRODUCT CUSTOMER DRAWING

**MALE FACE VIEW
4-POLE**



WIRING DIAGRAM

- 1 BROWN
- 2 WHITE
- 3 BLUE
- 4 BLACK

NOTES:

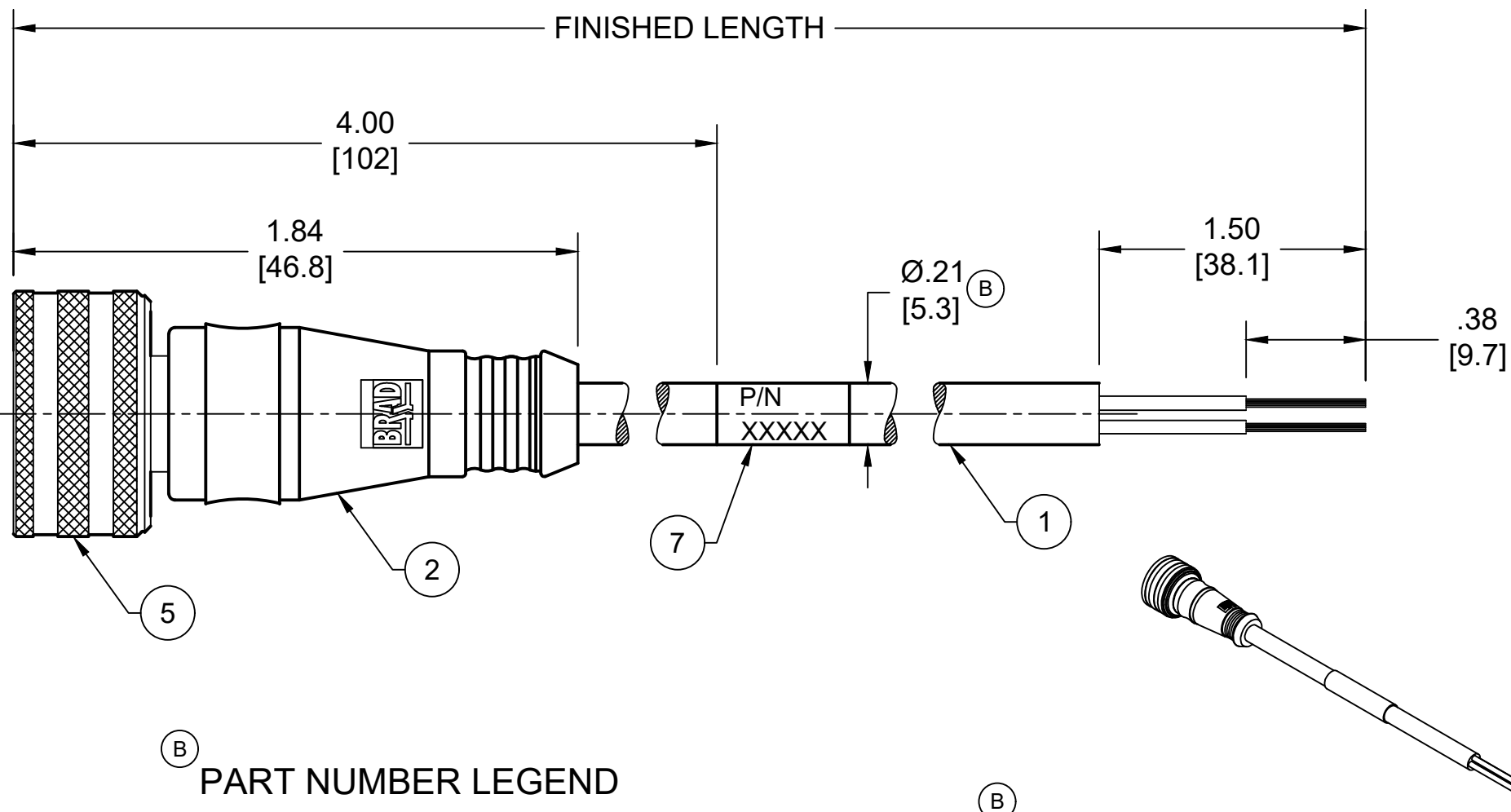
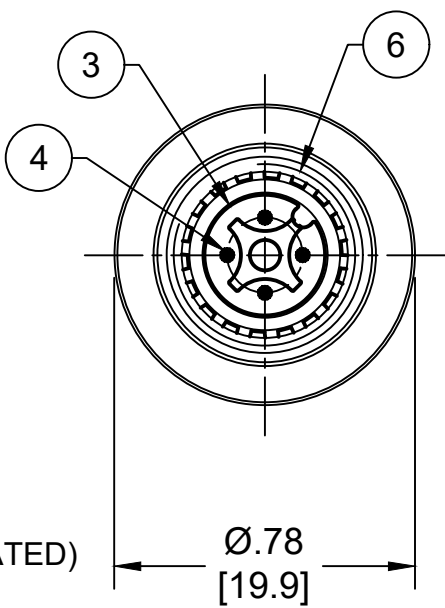
1. MATERIAL: AS NOTED
2. FINISH: AS NOTED
3. ELECTRICAL:
VOLTAGE: 250V
CURRENT: 4A
4. CONTACT RESISTANCE: <5M Ohm
5. TEMP RATING: -20°TO +105°C (B)
6. PROTECTION: IP67/68/69K (WHEN MATED)
7. CSA CERTIFIED FILE: LR6837 (B)
8. ALL DIMENSIONS ARE FOR REFERENCE
UNLESS TOLERANCED OR NOTED OTHERWISE

MECHANICAL CHARACTERISTICS (B)

TORSIONAL FLEX TEST	10 MILLION CYCLES PER MIL-C-13777G
BEND FLEX TEST	10 MILLION CYCLES PER MIL-C-13777G
WELD SLAG RESISTANCE	WOODHEAD STANDARD S-300

7	WRAP LABEL	VINYL	BLACK/YELLOW
6	O-RING	VITON	GREEN
5	COUPLING NUT	BRASS	NICKEL PLATED
4	CONTACT PIN	COPPER ALLOY	GOLD OVER NICKEL
3	MALE INSERT	PUR	BLACK
2	OVERMOLD	TPC	YELLOW
1	#22 AWG CABLE	TPE JACKET	YELLOW
ITEM	DESCRIPTION	MATERIAL	FINISH

PART NO	ENGINEERING NO.	FINISHED LENGTH
1200790156	W04006K05M020	2M [6FT 7 IN]
1200790142	W04006K05M050	5M [16FT 5 IN]
1200790140	W04006K05M100	10M [32FT 10 IN]



**(B) PART NUMBER LEGEND
W04006K05M010**

FINISHED LENGTH
M005 = 0.5 METER
M010 = 1 METER
M100 = 10 METER

(B) CABLE LENGTH TOLERANCES

<.3M [1FT]:	+19mm-0 [+ .75in-0]
.3 - .9M [1 - 3FT]:	+44.5mm-0 [+1.75in-0]
.9 - 1.8M [3 - 6FT]:	+55.6mm-0 [+2.19in-0]
1.8 - 3.7M [6 - 12FT]:	+88.9mm-0 [+3.50in-0]
3.7 - 7.3M [12 - 24FT]:	+165.1mm-0 [+6.50in-0]
7.3-14.6M [24 - 48FT]:	+317.5mm-0 [+12.50in-0]
14.6 - 30.5M [48-100FT]:	+622.3mm-0 [+24.50in-0]
OVER 30M [100FT]	+2% OF FINISHED LENGTH

FUNCTIONAL SYMBOLS $F_A=0$ $F_P=0$ $F_D=0$	THIS DRAWING CONTAINS INFORMATION THAT IS PROPRIETARY TO MOLEX ELECTRONIC TECHNOLOGIES, LLC AND SHOULD NOT BE USED WITHOUT WRITTEN PERMISSION DIMENSION UNITS: INCH/MM SCALE: NTS GENERAL TOLERANCES (UNLESS SPECIFIED): 4 PLACES ±--- ±--- 3 PLACES ±--- ±--- 2 PLACES ±--- ±--- 1 PLACE ±--- ±--- 0 PLACES ±--- ±--- ANGULAR TOL ± --- ° DRAFT WHERE APPLICABLE MUST REMAIN WITHIN DIMENSIONS	CURRENT REV DESC: ITEM #7 WAS PLASTIC FILM. ADDED ITEM #6, MECH SPEC, CSA NUMBER, CABLE DIA, PN LEGEND & TOL CHART. MODIFIED TEMP RATING & PN TABLE. EC NO: 684287 DRWN: ABENJAMINLW 2021/08/25 CHK'D: RSTONE 2021/11/08 APPR: BWOODMAN 2021/11/11 INITIAL REVISION: DRWN: TWOLDEGE 2009/07/01 APPR: JFMURPHY 2009/07/20	molex MICRO-CHANGE ULTRA LOCK CORDSET M12, 4-POLE, MALE, STRAIGHT, SINGLE KEY, #22 AWG TPE HI-FLEX PRODUCT CUSTOMER DRAWING	
	DIVISIONAL SYMBOLS DRAFT WHERE APPLICABLE MUST REMAIN WITHIN DIMENSIONS	THIRD ANGLE PROJECTION DRAWING: A3-SIZE SERIES: 120079	MATERIAL NUMBER: SEE CHART CUSTOMER: GENERAL MARKET SHEET NUMBER: 1 OF 1	DOCUMENT NUMBER: SD-120079-005 DOC TYPE: PSD DOC PART: 001 REVISION: B