

NOTES:

1. REF. PCI EXPRESS CARD ELECTROMECHANICAL SPECIFICATION, REV 1.0a FOR BRACKET WINDOW LOCATION.
2. PCB AND BRACKET SHOWN FOR REFERENCE ONLY.
3. REF. SD-74547-100 FOR KEY POSITIONS.
4. GUIDE HOUSING MOUNTING THREAD= M2 X 0.40, SEE SHEET 3 FOR SCREW LENGTH + TORQUE SPEC.
5. PLATE GROUND PAD WITH EMERSION SILVER OR GOLD.
6. MATERIAL:  
GUIDE HOUSING - ZINC DIECAST, NICKEL PLATED.  
COVER - STAINLESS STEEL.  
GASKET: CONDUCTIVE ELASTOMER
7. NO RoHS EXEMPTIONS.
8. GUIDE HOUSING PEGS FOR ALIGNMENT ONLY, DO NOT SOLDER.

PART NUMBER	SW	OAW	PORT SIZE	KEY(S) PORT1	KEY(S) PORT2	KEY(S) PORT3	KEY(S) PORT4	IDENTIFIERS	ELASTOMERIC GASKET FLAMMABILITY RATING
745480100	76.29	79.99	4	1	1	1	1	SATA - 'X' CABLES	94HB
745480103	76.29	79.99	4	2,4	2,4	2,4	2,4	SAS OUT PORT/END DEVICE	94HB
745480104	76.29	79.99	4	4,6	4,6	4,6	4,6	SAS IN PORT/END DEVICE	94HB
745480105	76.29	79.99	4	4	4	4	4	SAS UNIVERSAL PORT	94HB
745480112	76.29	79.99	4	7	7	7	7	SATA - 'M' CABLES	94HB
745480117	76.29	79.99	4	2	2	2	2	SAS - OUT PORT	94HB
745480120	76.29	79.99	4	6	6	6	6	SAS - IN PORT	94HB

THIS DRAWING CONTAINS INFORMATION THAT IS PROPRIETARY TO MOLEX ELECTRONIC TECHNOLOGIES, LLC AND SHOULD NOT BE USED WITHOUT WRITTEN PERMISSION

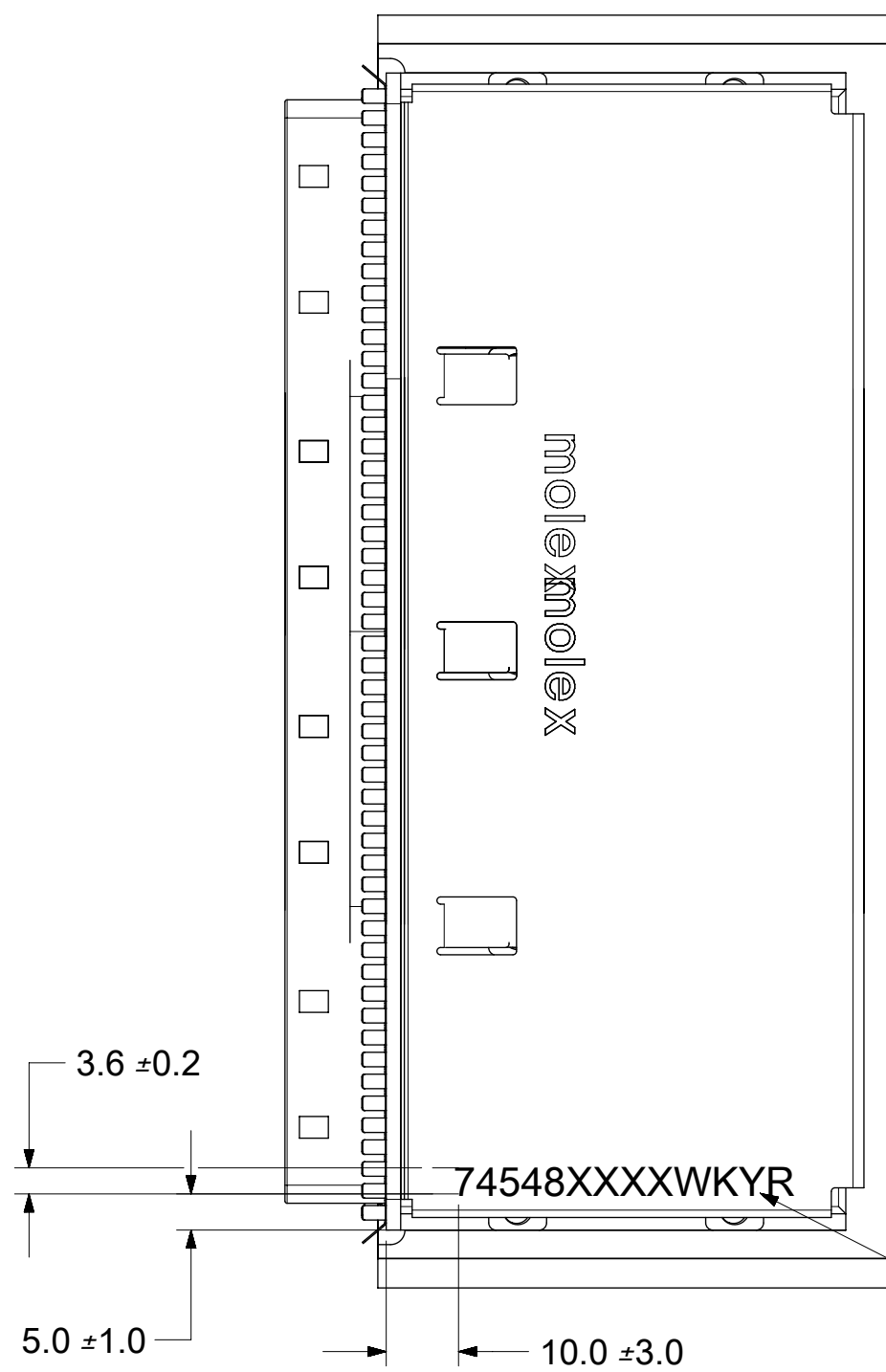
<b>SYMBOLS</b>	DIMENSION UNITS	SCALE	CURRENT REV	DESC: SEE REVISION TABLE
▽ = 0	mm	2:1	EC NO:	610036
▽ = 0	GENERAL TOLERANCES (UNLESS SPECIFIED)		DRWN:	NMUTHARAYAPP 2018/12/17
▽ = 0	ANGULAR TOL ± 1.0°		CHK'D:	TKUMARKC 2019/01/07
▽ = 0	4 PLACES	±	APPR:	RCHEN08 2019/01/08
▽ = 0	3 PLACES	±	INITIAL REVISION:	
▽ = 0	2 PLACES	± 0.13	DRWN:	BBEGALIMADHU 2018/01/04
▽ = 0	1 PLACE	± 0.25	APPR:	RCHEN08 2018/01/25
▽ = 0	0 PLACES	±	THIRD ANGLE PROJECTION	
▽ = 0	DRAFT WHERE APPLICABLE MUST REMAIN WITHIN DIMENSIONS		DRAWING	C-SIZE
			SERIES	74548
			MATERIAL NUMBER	SEE P/N TABLE
			CUSTOMER	
			SHEET NUMBER	1 OF 5

**molex**

I-PASS 26CKT ONE DEG.  
EMI GUIDE RAIL HOUSING ASSEMBLY, MULTI PORT

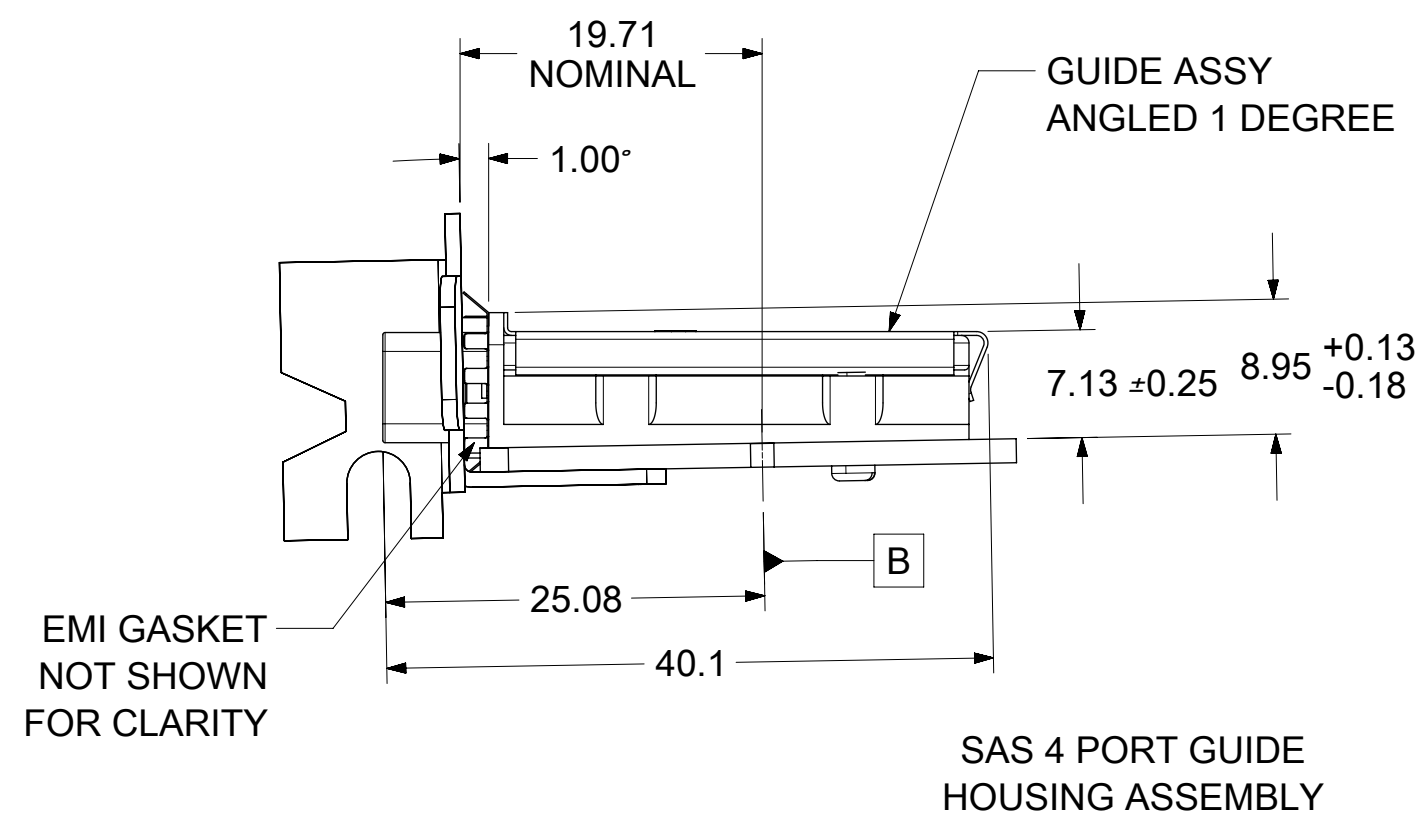
PRODUCT CUSTOMER DRAWING

DOCUMENT NUMBER: **745480100** DOC TYPE: PSD ASY T1

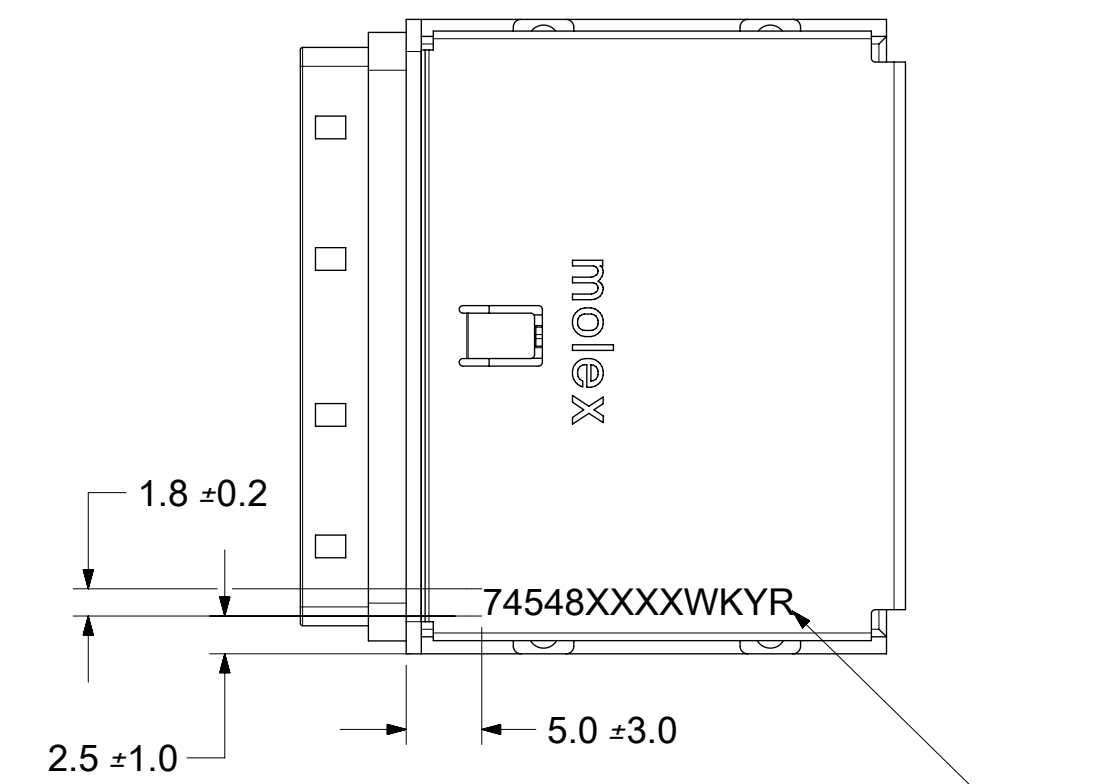
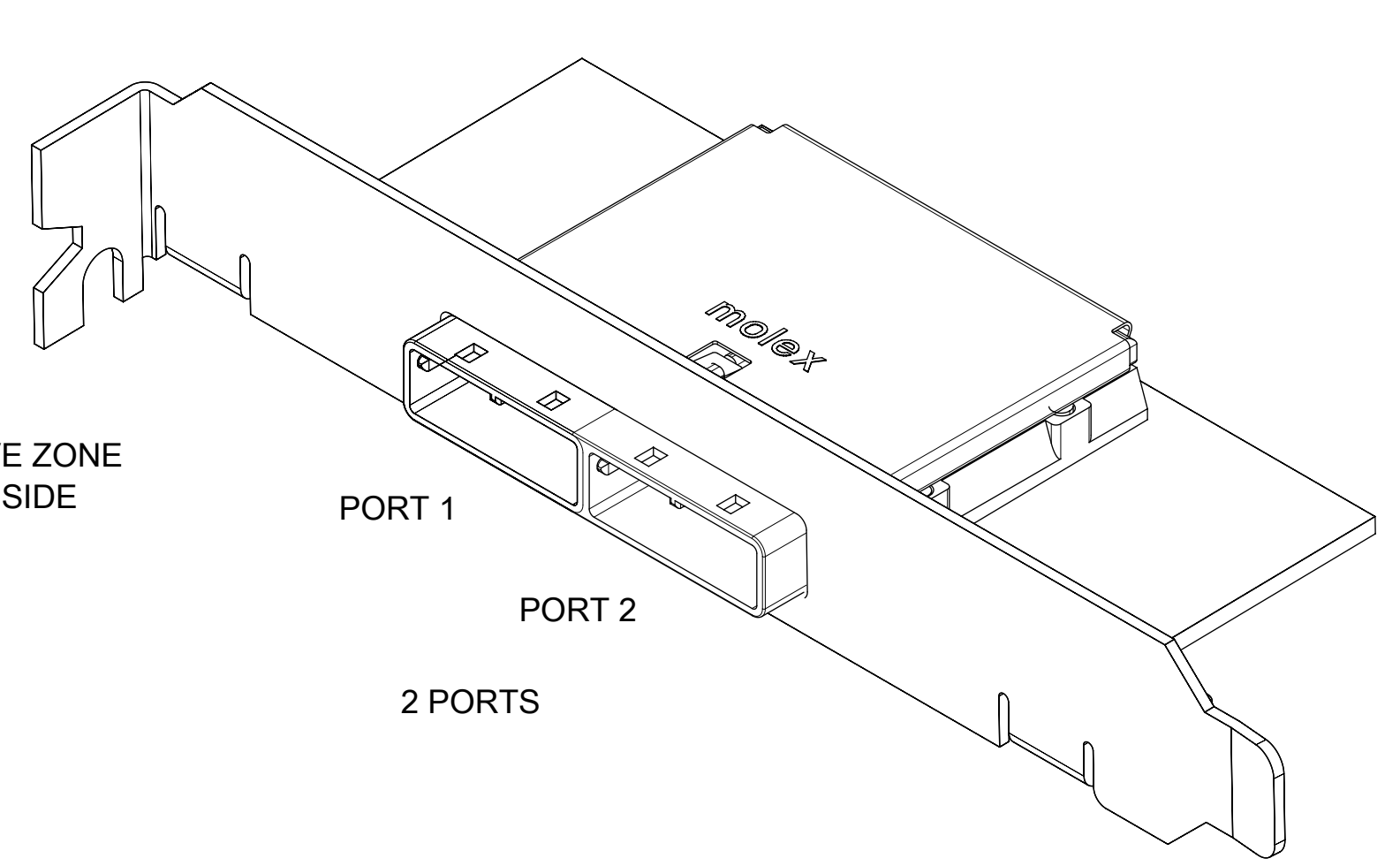
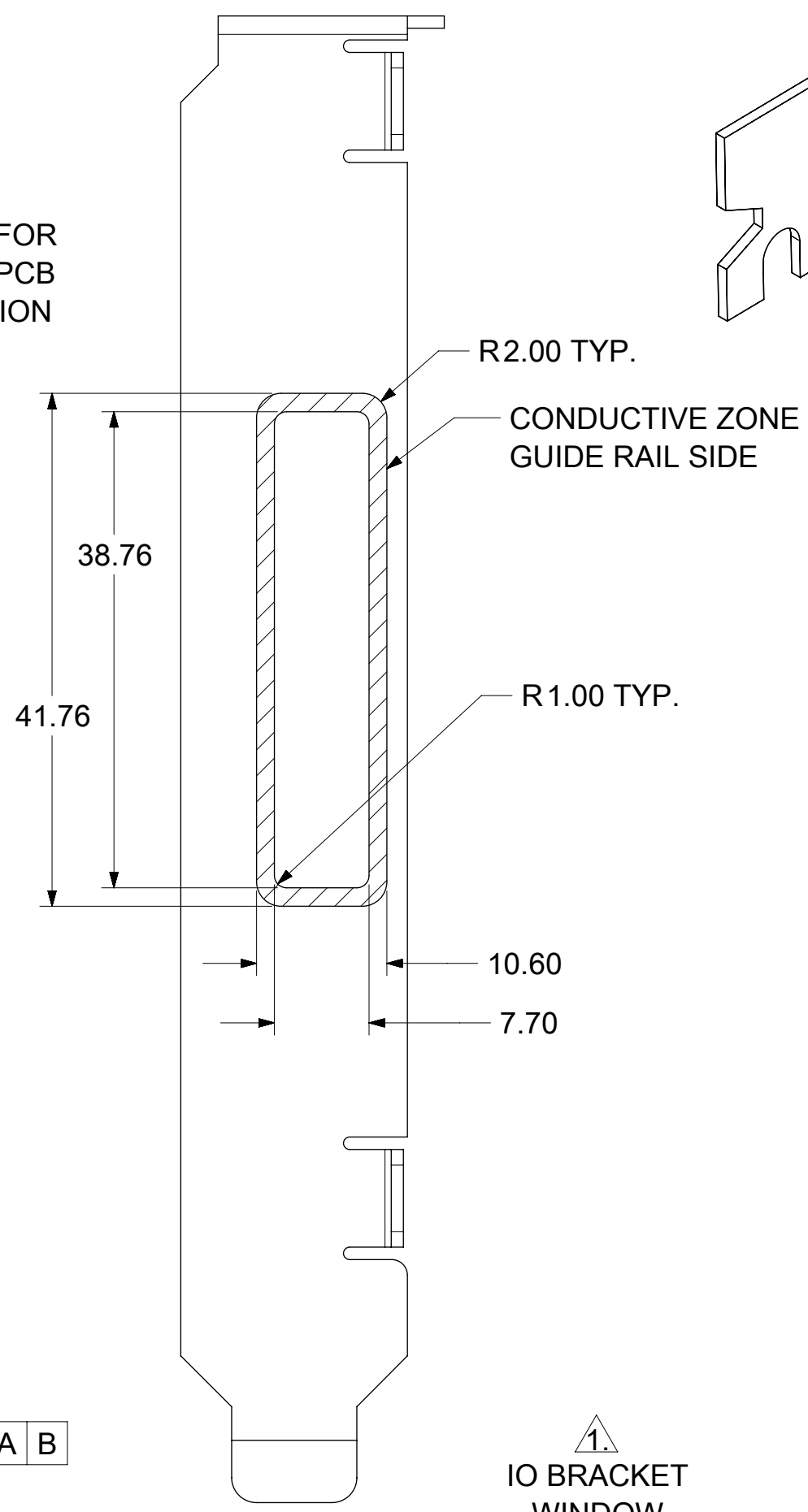
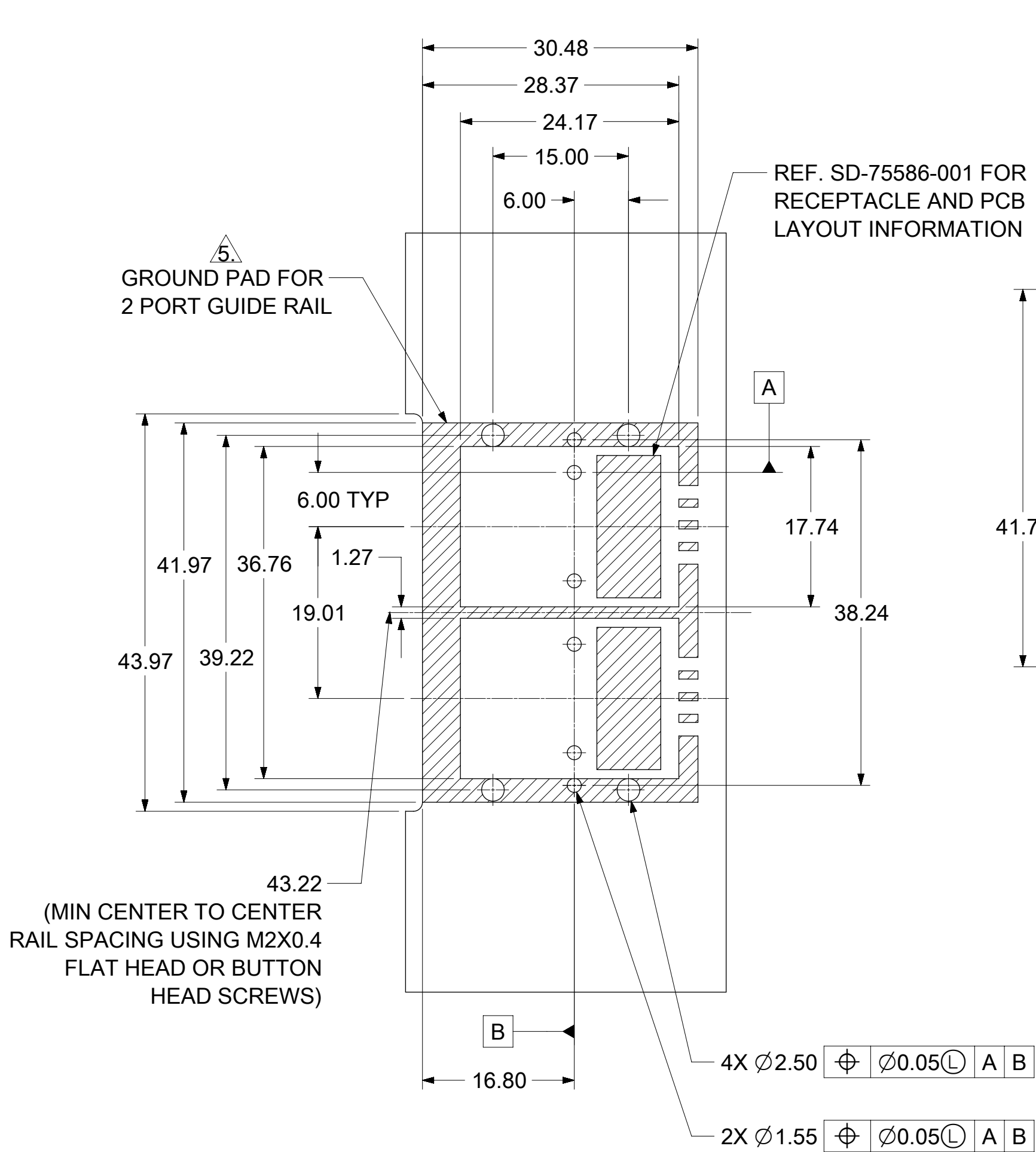


P/N AND WEEK/YEAR DATE CODE TO BE PRINTED ON THE TOP OF COMPLETED CAGE ASSEMBLY AS SHOWN. SEE TABLE BELOW FOR DATE CODE INFORMATION.

WEEK/YEAR DATE CODE TABLE	
WK	WEEK OF THE YEAR 01 THRU 52 (EXAMPLE: 01= FIRST WEEK OF YEAR 52= LAST WEEK OF YEAR)
YR	18, 19, 20 ETC.. (EXAMPLE: YEAR 2018= 18)



THIS DRAWING CONTAINS INFORMATION THAT IS PROPRIETARY TO MOLEX ELECTRONIC TECHNOLOGIES, LLC AND SHOULD NOT BE USED WITHOUT WRITTEN PERMISSION									
SYMBOLS	DIMENSION UNITS	SCALE	CURRENT REV DESC: SEE REVISION TABLE						
▽ = 0	mm	1:1	<b>molex</b> I-PASS 26CKT ONE DEG. EMI GUIDE RAIL HOUSING ASSEMBLY, MULTI PORT PRODUCT CUSTOMER DRAWING						
▽ / = 0	GENERAL TOLERANCES (UNLESS SPECIFIED)								
▽ = 0	ANGULAR TOL ± 1.0°								
▽ S = 0	4 PLACES ±								
▽ = 0	3 PLACES ±		EC NO: 610036 DRWN: NMUTHARAYAPP 2018/12/17 CHK'D: TKUMARKC 2019/01/07 APPR: RCHEN08 2019/01/08						
▽ = 0	2 PLACES ± 0.13		INITIAL REVISION: DRWN: BBEGALIMADHU 2018/01/04 APPR: RCHEN08 2018/01/25						
▽ X = 0	1 PLACE ± 0.25		DOCUMENT NUMBER		DOC TYPE	DOC PART	REVISION		
■ = 0	0 PLACES ±		745480100		PSD	ASY	T1		
▽ = 0	DRAFT WHERE APPLICABLE MUST REMAIN WITHIN DIMENSIONS		THIRD ANGLE PROJECTION	DRAWING	SERIES	MATERIAL NUMBER	CUSTOMER	SHEET NUMBER	
				C-SIZE	74548	SEE P/N TABLE		2 OF 5	

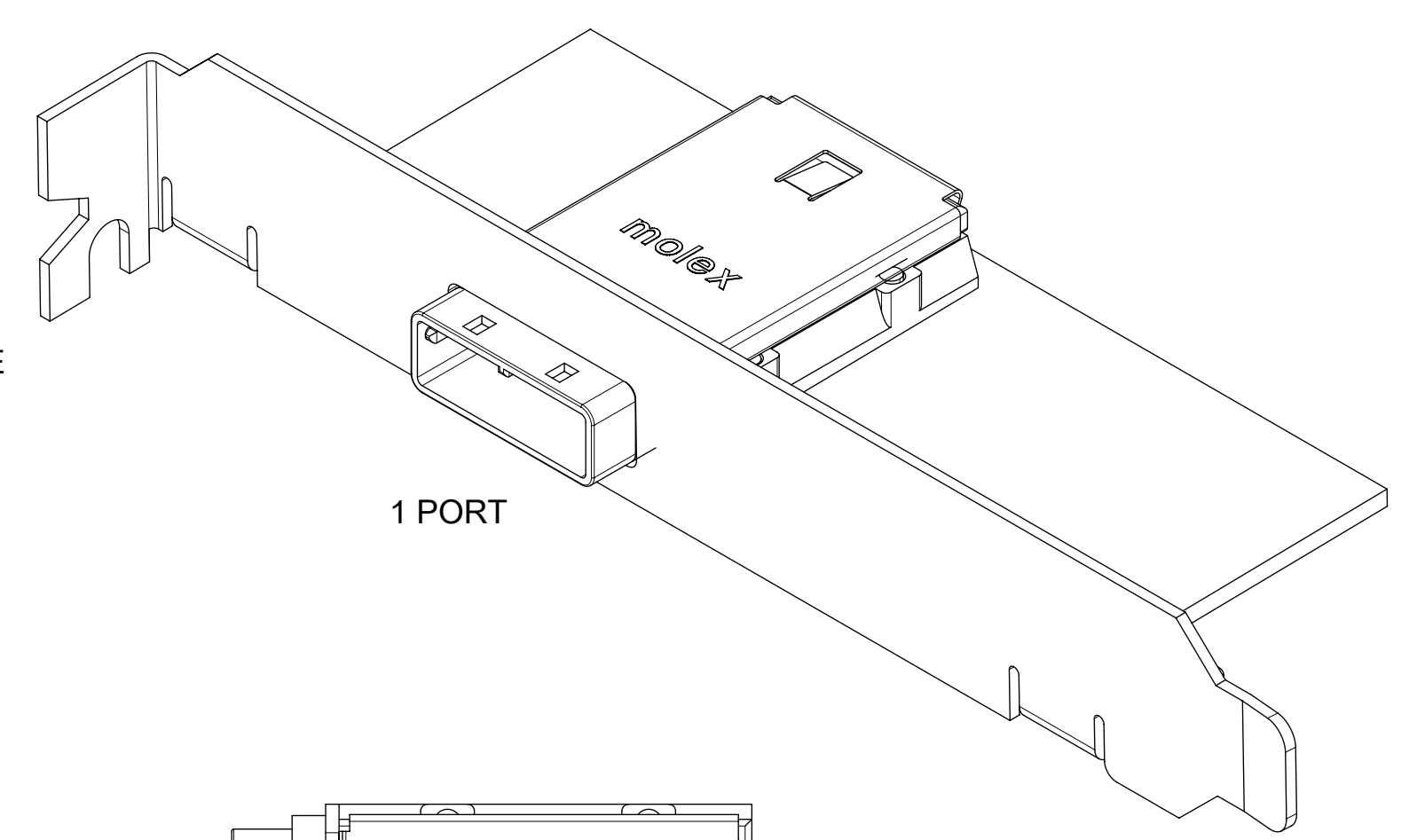
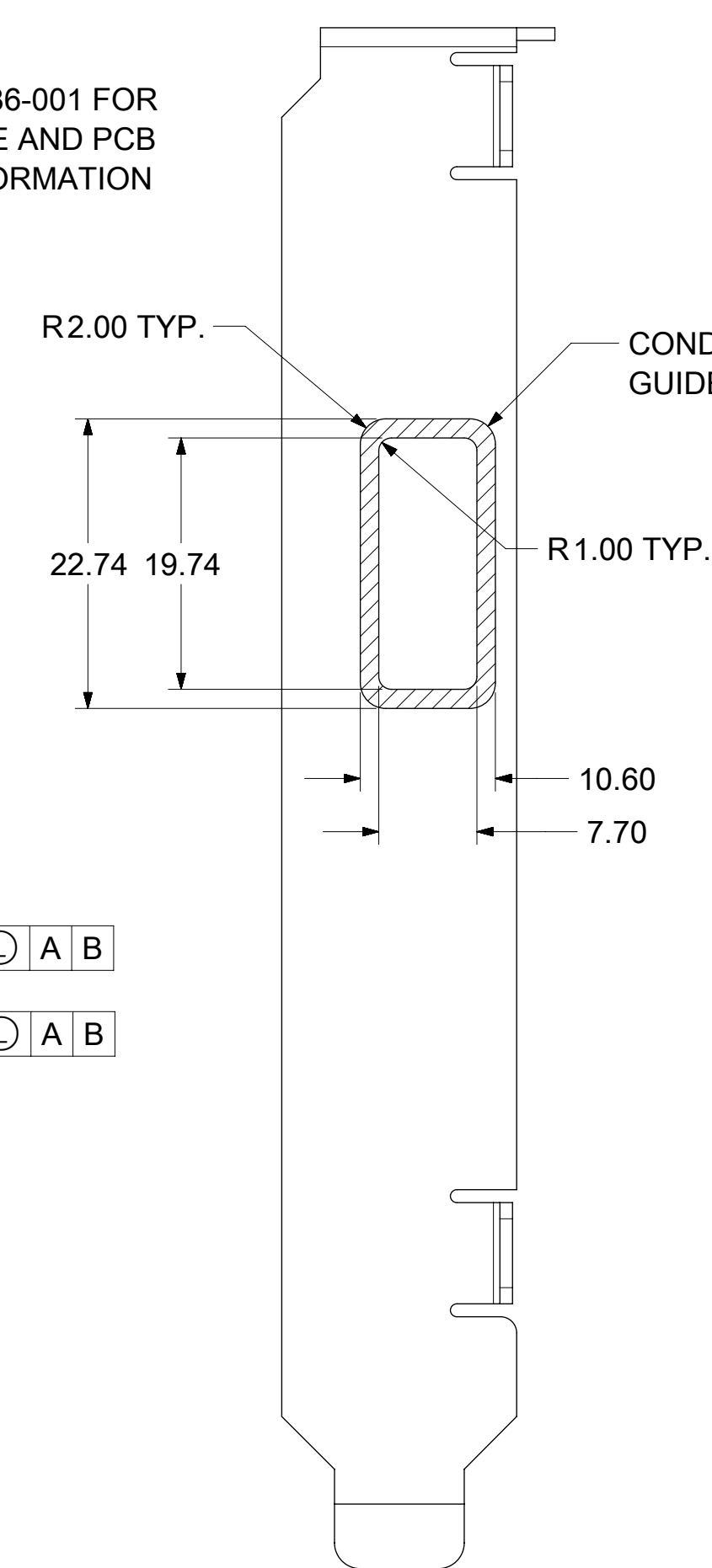
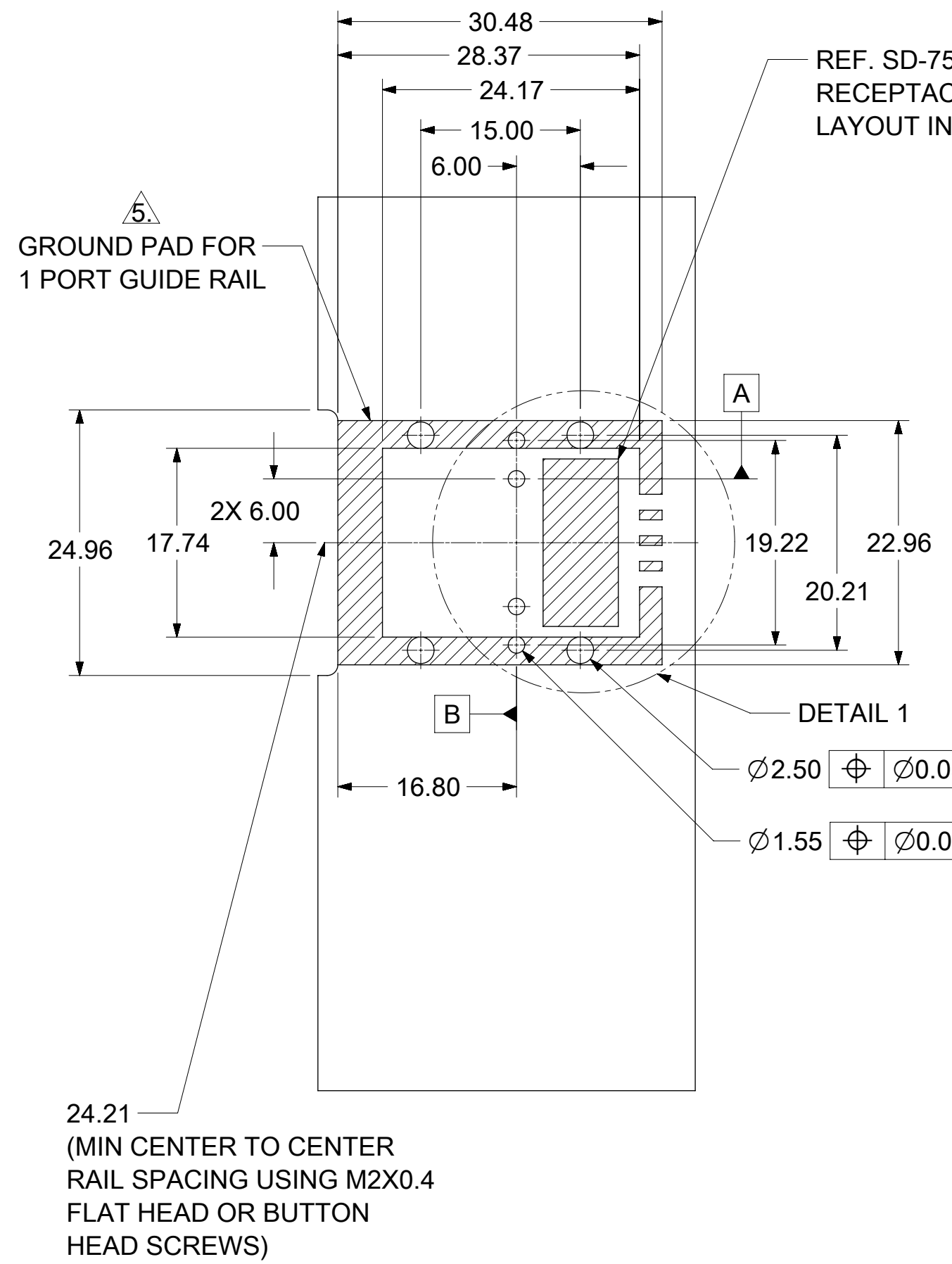


P/N AND WEEK/YEAR DATE CODE TO BE PRINTED ON THE TOP OF COMPLETED CAGE ASSEMBLY AS SHOWN. SEE TABLE BELOW FOR DATE CODE INFORMATION.

WEEK/YEAR DATE CODE TABLE	
WK	WEEK OF THE YEAR 01 THRU 52 (EXAMPLE: 01= FIRST WEEK OF YEAR 52= LAST WEEK OF YEAR)
YR	18, 19, 20 ETC.. (EXAMPLE: YEAR 2018= 18)

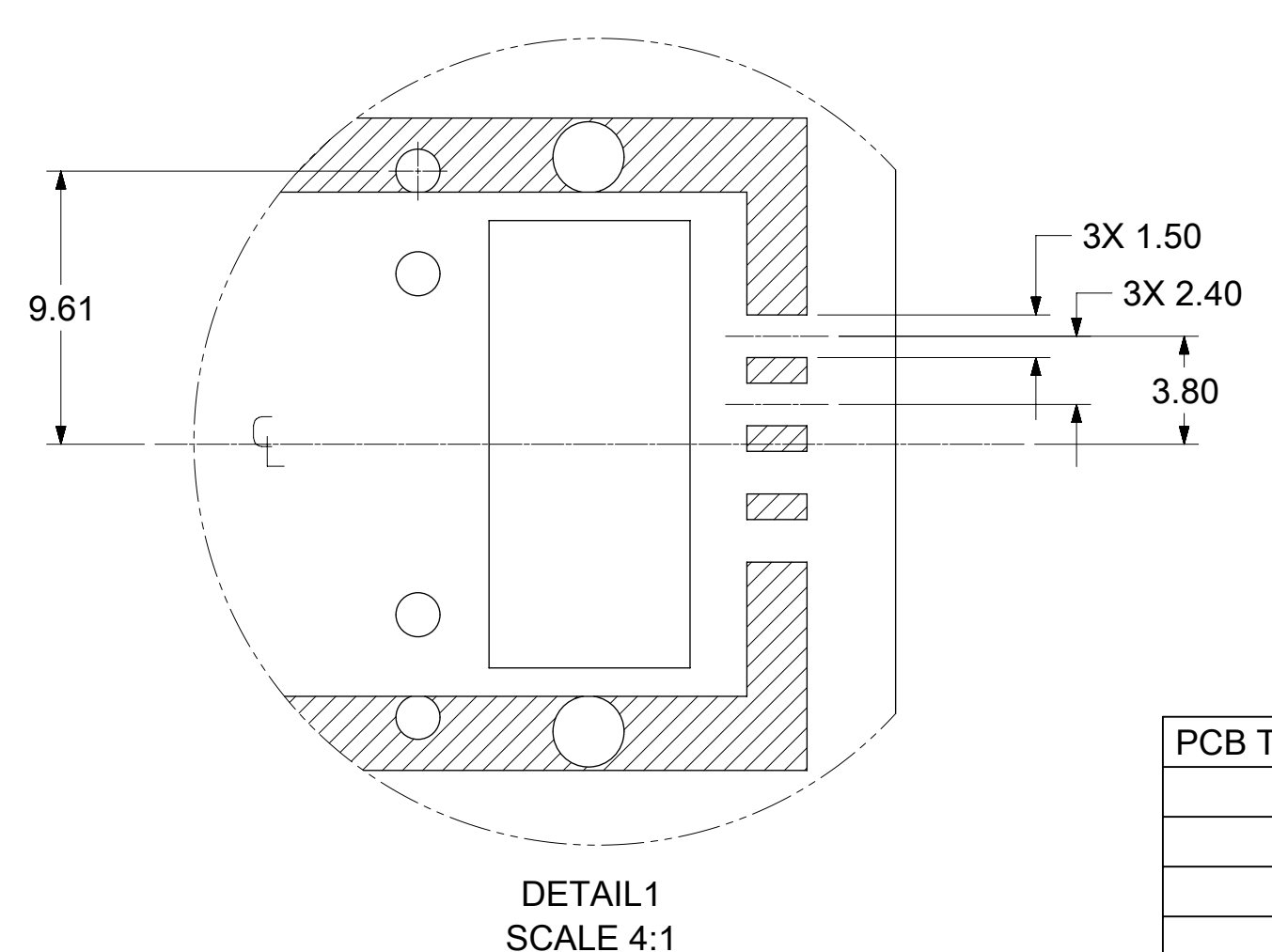
PART NUMBER	SW	OAW	PORT SIZE	KEY(S) PORT1	KEY(S) PORT2	IDENTIFIERS	ELASTOMERIC GASKET FLAMMABILITY RATING
745480102	38.26	41.96	2	1	1	SATA - 'X' CABLES	94HB
745480106	38.26	41.96	2	2,4	2,4	SAS OUT PORT/END DEVICE	94HB
745480107	38.26	41.96	2	4,6	4,6	SAS IN PORT/END DEVICE	94HB
745480108	38.26	41.96	2	4	4	SAS UNIVERSAL PORT	94HB
745480113	38.26	41.96	2	7	7	SATA - 'M' CABLES	94HB
745480115	38.26	41.96	2	4,6	2,4	SAS IN PORT - SAS OUT PORT	94HB
745480116	38.26	41.96	2	2,4	4,6	SAS OUT PORT - SAS IN PORT	94HB
745480118	38.26	41.96	2	2	2	SAS - OUT PORT	94HB
745480121	38.26	41.96	2	6	6	SAS - IN PORT	94HB
745480124	38.26	41.96	2	3	3	SRiO	94HB
745480128	38.26	41.96	2	2,4	4,6	SAS OUT PORT - SAS IN PORT	94V-0

SYMBOLS		THIS DRAWING CONTAINS INFORMATION THAT IS PROPRIETARY TO MOLEX ELECTRONIC TECHNOLOGIES, LLC AND SHOULD NOT BE USED WITHOUT WRITTEN PERMISSION	
$\nabla = 0$	4 PLACES	DIMENSION UNITS	SCALE
$\nabla = 0$	3 PLACES	mm	2:1
$\nabla = 0$	2 PLACES	CURRENT REV DESC: SEE REVISION TABLE	
$\nabla = 0$	1 PLACE	GENERAL TOLERANCES (UNLESS SPECIFIED)	
$\nabla = 0$	0 PLACES	ANGULAR TOL $\pm 1.0^\circ$	
$\nabla = 0$		EC NO: 610036	
$\nabla = 0$		DRWN: NMUTHARAYAPP 2018/12/17	
$\nabla = 0$		CHK'D: TKUMARKC 2019/01/07	
$\nabla = 0$		APPR: RCHEN08 2019/01/08	
$\nabla = 0$		INITIAL REVISION:	
$\nabla = 0$		DRWN: BBEGALIMADHU 2018/01/04	
$\nabla = 0$		APPR: RCHEN08 2018/01/25	
$\nabla = 0$		DRAFT WHERE APPLICABLE MUST REMAIN WITHIN DIMENSIONS	
$\nabla = 0$		THIRD ANGLE PROJECTION	DRAWING
$\nabla = 0$		C-SIZE	SERIES
$\nabla = 0$			74548
		MATERIAL NUMBER	CUSTOMER
		SEE P/N TABLE	
		DOCUMENT NUMBER	DOC TYPE   DOC PART   REVISION
		745480100	PSD   ASY   T1
		SHEET NUMBER	
		3 OF 5	



P/N AND WEEK/YEAR DATE CODE TO BE PRINTED ON THE TOP OF COMPLETED CAGE ASSEMBLY AS SHOWN. SEE TABLE BELOW FOR DATE CODE INFORMATION.

WEEK/YEAR DATE CODE TABLE	
WK	WEEK OF THE YEAR 01 THRU 52 (EXAMPLE: 01= FIRST WEEK OF YEAR 52= LAST WEEK OF YEAR)
YR	18, 19, 20 ETC.. (EXAMPLE: YEAR 2018= 18)



PCB THICKNESS	SCREW LENGTH	TORQUE(IN LBS)
1.6	5MM	2.3
2.38	6MM	2.3
3.2	6MM	2.3
X	+4MM MAX	2.3

PART NUMBER	SW	OAW	PORT SIZE	KEY(S)	IDENTIFIERS	ELASTOMERIC GASKET FLAMMABILITY RATING
745480101	19.24	22.95	1	1	SATA - 'X' CABLES	94HB
745480109	19.24	22.95	1	2,4	SAS OUT PORT/END DEVICE	94HB
745480110	19.24	22.95	1	4,6	SAS IN PORT/END DEVICE	94HB
745480111	19.24	22.95	1	4	SAS UNIVERSAL PORT	94HB
745480114	19.24	22.95	1	7	SATA - 'M' CABLES	94HB
745480119	19.24	22.95	1	2	SAS - OUT PORT	94HB
745480122	19.24	22.95	1	6	SAS - IN PORT	94HB
745480125	19.24	22.95	1	3	SRIO	94HB

THIS DRAWING CONTAINS INFORMATION THAT IS PROPRIETARY TO MOLEX ELECTRONIC TECHNOLOGIES, LLC AND SHOULD NOT BE USED WITHOUT WRITTEN PERMISSION

<b>SYMBOLS</b>	DIMENSION UNITS: <b>mm</b>	SCALE: <b>2:1</b>	CURRENT REV DESC: SEE REVISION TABLE	
▽ = 0	GENERAL TOLERANCES (UNLESS SPECIFIED)		EC NO: 610036	
▽ = 0	ANGULAR TOL ± 1.0°		DRWN: NMUTHARAYAPP	2018/12/17
▽ = 0	4 PLACES ±		CHK'D: TKUMARKC	2019/01/07
▽ = 0	3 PLACES ±		APPR: RCHEN08	2019/01/08
▽ = 0	2 PLACES ± 0.13		INITIAL REVISION:	
▽ = 0	1 PLACE ± 0.25		DRWN: BBEGALIMADHU	2018/01/04
▽ = 0	0 PLACES ±		APPR: RCHEN08	2018/01/25
▽ = 0	DRAFT WHERE APPLICABLE MUST REMAIN WITHIN DIMENSIONS		THIRD ANGLE PROJECTION	DRAWING: <b>C-SIZE</b>
▽ = 0			SERIES: <b>74548</b>	MATERIAL NUMBER: SEE P/N TABLE

I-PASS 26CKT ONE DEG.  
EMI GUIDE RAIL HOUSING ASSEMBLY, MULTI PORT

PRODUCT CUSTOMER DRAWING

DOCUMENT NUMBER	DOC TYPE	DOC PART	REVISION
<b>745480100</b>	PSD	ASY	<b>T1</b>

SHEET NUMBER: 4 OF 5

12 11 10 9 8 7 6 5 4 3 2 1

REV	DATE	DESCRIPTION
R	2015/01/23	1. ADDED "MM 3D MODEL: EM-74548-100 (SD_PACKAGE)" ON LEFT TOP CORNER. [SHT 1] 2. NOTE 7 CHANGED AS "NO RoHS EXEMPTIONS". [SHT 1] 3. NOTE 6 ADDED "GASKET: CONDUCTIVE ELASTOMER." [SHT 1] 4. ADDED ELASTOMERIC GASKET FLAMMABILITY RATING. [SHT 1, 2, 3] 5. ADDED 74548-0128. [SHT 2]
T	2018/01/08	RE-MASTERED FROM SD-74548-100 REV_R TO 745480100 PSD ASY REV_T. SHEET 2: F11 ADDED DIM 6.00TYP. SHEET 3: F11 ADDED DIM 2X6.00.
T1	2018/12/20	1.SHEET 2: G08 :ADDED TOP VIEW AND PLACED INK MARK , RIGHT VIEW MOVED FROM SHEET1 TO SHEET 2 2.SHEET 3: D02 :ADDED RIGHT VIEW AND INK MARK PLACED IN TOP VIEW 3.SHEET 4: E03 :ADDED RIGHT VIEW AND INK MARK PLACED IN TOP VIEW

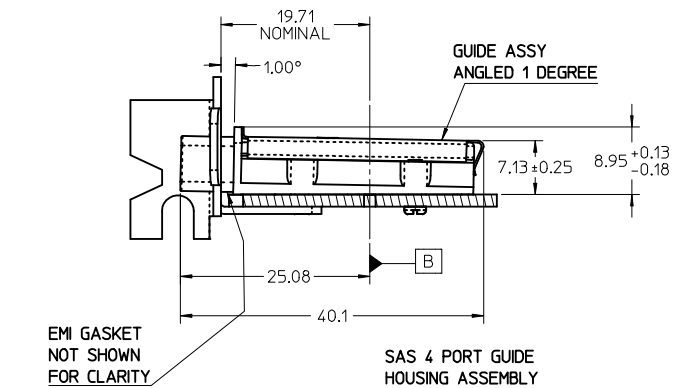
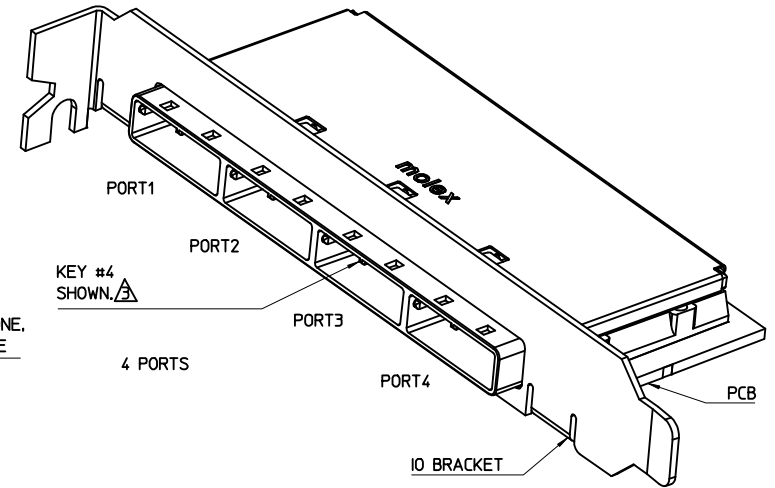
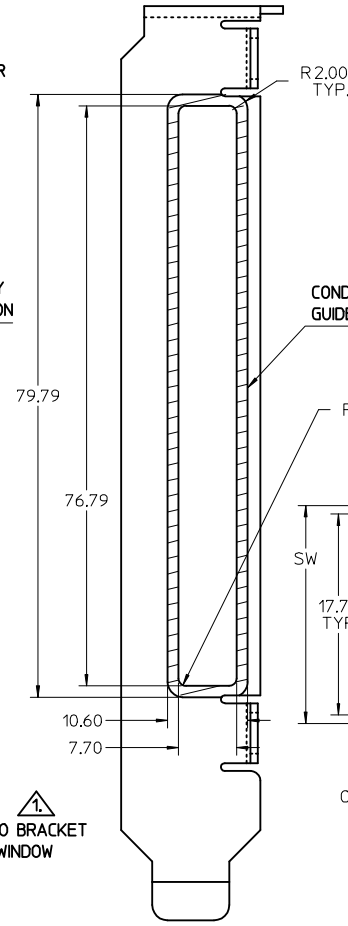
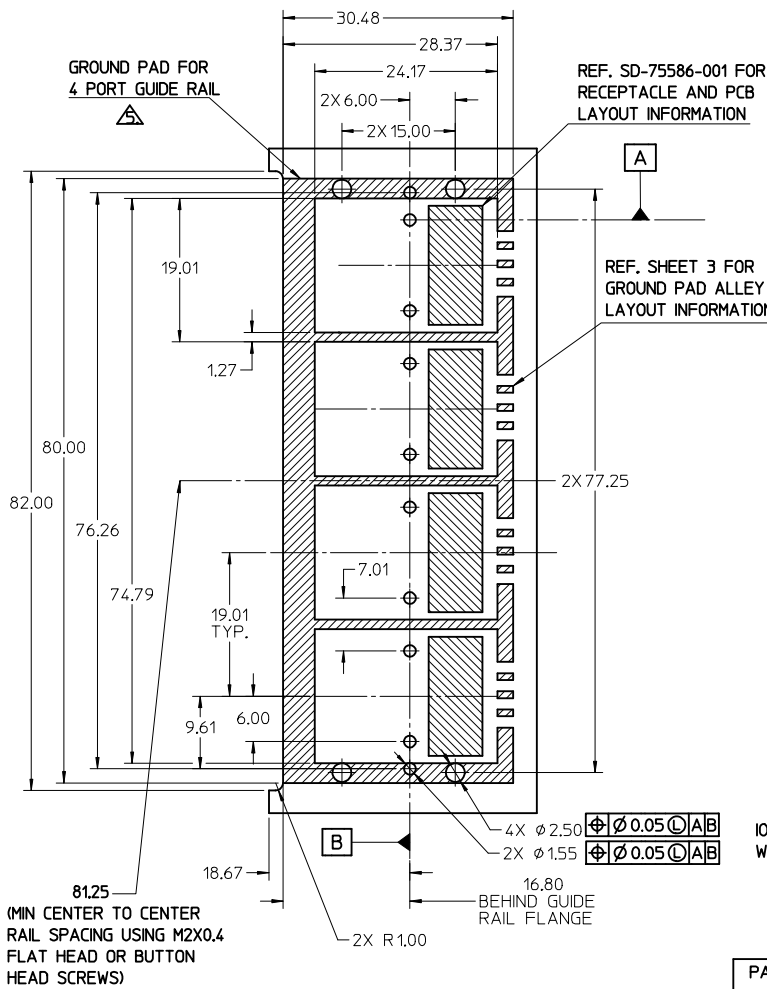
SYMBOLS	THIS DRAWING CONTAINS INFORMATION THAT IS PROPRIETARY TO MOLEX ELECTRONIC TECHNOLOGIES, LLC AND SHOULD NOT BE USED WITHOUT WRITTEN PERMISSION			
	DIMENSION UNITS	SCALE	CURRENT REV DESC: SEE REVISION TABLE	
= 0	mm	1:1	EC NO: 610036 DRWN: NMUTHARAYAPP 2018/12/17 CHK'D: TKUMARKC 2019/01/07 APPR: RCHEN08 2019/01/08	
= 0	GENERAL TOLERANCES (UNLESS SPECIFIED)			
= 0	ANGULAR TOL ± 1.0°		INITIAL REVISION: DRWN: BBEGALIMADHU 2018/01/04 APPR: RCHEN08 2018/01/25	
= 0	4 PLACES ±			
= 0	3 PLACES ±	DOCUMENT NUMBER: <b>745480100</b>   DOC TYPE: PSD   DOC PART: ASY   REVISION: T1		
= 0	2 PLACES ± 0.13			
= 0	1 PLACE ± 0.25	MATERIAL NUMBER: SEE P/N TABLE   CUSTOMER:   SHEET NUMBER: 5 OF 5		
= 0	0 PLACES ±			
= 0	DRAFT WHERE APPLICABLE MUST REMAIN WITHIN DIMENSIONS	THIRD ANGLE PROJECTION	DRAWING: C-SIZE	SERIES: 74548



I-PASS 26CKT ONE DEG.  
EMI GUIDE RAIL HOUSING ASSEMBLY, MULTI PORT

PRODUCT CUSTOMER DRAWING

12 11 10 9 8 7 6 5 4 3 2 1



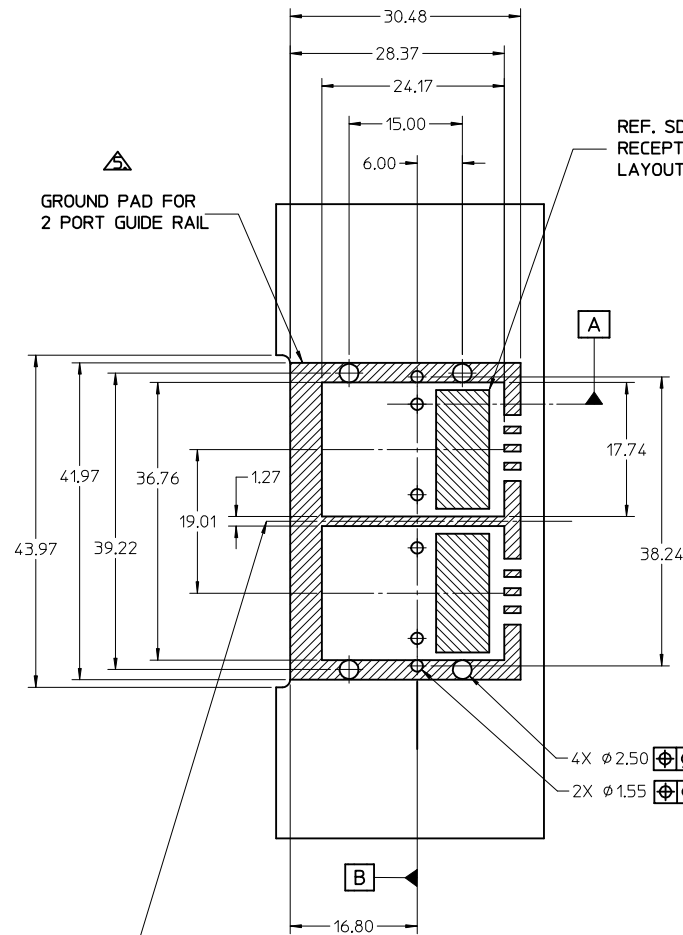
- NOTES:
- REF. PCI EXPRESS CARD ELECTROMECHANICAL SPECIFICATION, REV 1.0a FOR BRACKET WINDOW LOCATION.
  - PCB AND BRACKET SHOWN FOR REFERENCE ONLY.
  - REF. SD-74547-100 FOR KEY POSITIONS.
  - GUIDE HOUSING MOUNTING THREAD= M2 X 0.40, SEE SHEET 3 FOR SCREW LENGTH + TORQUE SPEC.
  - PLATE GROUND PAD WITH EMERSION SILVER OR GOLD.
  - MATERIAL:  
GUIDE HOUSING - ZINC DIECAST, NICKEL PLATED.  
COVER - STAINLESS STEEL.  
GASKET: CONDUCTIVE ELASTOMER
  - NO RoHS EXEMPTIONS.
  - GUIDE HOUSING PEGS FOR ALIGNMENT ONLY, DO NOT SOLDER.

PART NUMBER	SW	OAW	PORT SIZE	KEY(S) PORT1	KEY(S) PORT2	KEY(S) PORT3	KEY(S) PORT4	IDENTIFIERS	ELASTOMERIC GASKET FLAMMABILITY RATING
745480100	76.29	79.99	4	1	1	1	1	SATA - 'X' CABLES	94HB
745480103	76.29	79.99	4	2,4	2,4	2,4	2,4	SAS OUT PORT/END DEVICE	94HB
745480104	76.29	79.99	4	4,6	4,6	4,6	4,6	SAS IN PORT/END DEVICE	94HB
745480105	76.29	79.99	4	4	4	4	4	SAS UNIVERSAL PORT	94HB
745480112	76.29	79.99	4	7	7	7	7	SATA - 'M' CABLES	94HB
745480117	76.29	79.99	4	2	2	2	2	SAS - OUT PORT	94HB
745480120	76.29	79.99	4	6	6	6	6	SAS - IN PORT	94HB

<b>SEE REVISION TABLE</b> EC NO: CPG2015-3882 DRWN:LUZ0 2015/01/22 CHKD:SYANG16 2015/01/26 APPR:RCHEN08 2015/02/03	QUALITY SYMBOLS ▽=0 ▽=0 ▽=0	GENERAL TOLERANCES (UNLESS SPECIFIED)		DIMENSION STYLE MM ONLY		SCALE 2:1	DESIGN UNITS METRIC	THIRD ANGLE PROJECTION		
		4 PLACES ± --- ± --- 3 PLACES ± --- ± --- 2 PLACES ± 0.13 ± --- 1 PLACE ± 0.25 ± --- 0 PLACE ± ±	mm INCH ± --- ± --- ± 0.13 ± --- ± 0.25 ± --- ± ±	DRAWN BY SNAVARRO	DATE 2006/05/26	CHECKED BY BREED	DATE 2006/05/26	TITLE I-PASS 26CKT ONE DEG. EMI GUIDE RAIL HOUSING ASSEMBLY, MULTI PORT		
		ANGULAR ±1/2°		APPROVED BY DDOYE	DATE 2006/05/26	MATERIAL NO. SEE P/N TABLE			DOCUMENT NO. SD-74548-100	SHEET NO. 1 OF 4
		DRAFT WHERE APPLICABLE MUST REMAIN WITHIN DIMENSIONS		THIS DRAWING CONTAINS INFORMATION THAT IS PROPRIETARY TO MOLEX INCORPORATED AND SHOULD NOT BE USED WITHOUT WRITTEN PERMISSION						

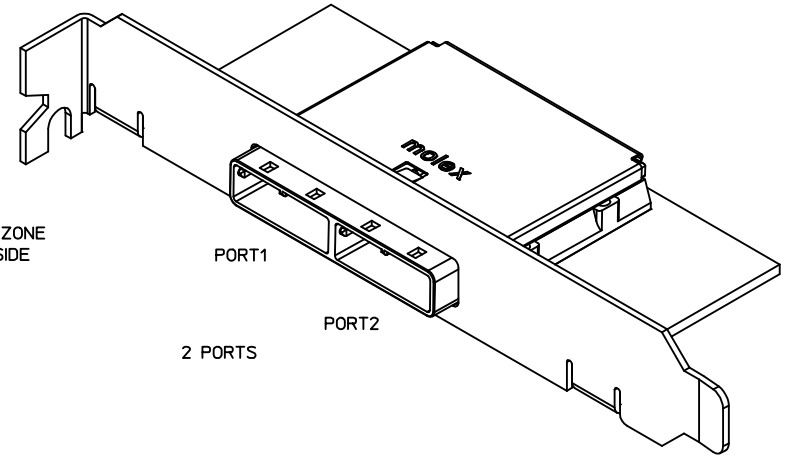
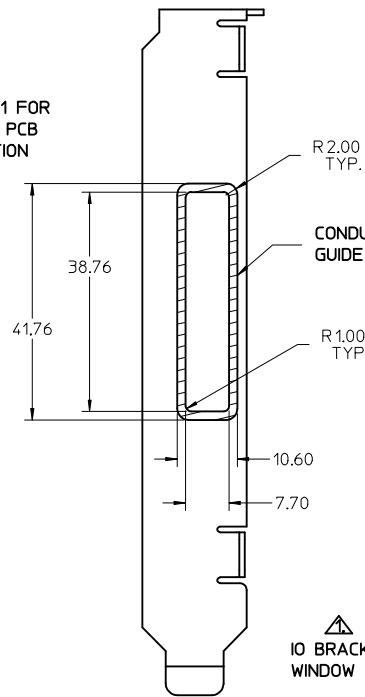
iPass™ is a Trademark of Molex, Inc.

**molex**



43.22  
(MIN CENTER TO CENTER RAIL  
SPACING USING M2X0.4 FLAT  
HEAD OR BUTTON HEAD SCREWS)

REF. SD-75586-001 FOR  
RECEPTACLE AND PCB  
LAYOUT INFORMATION



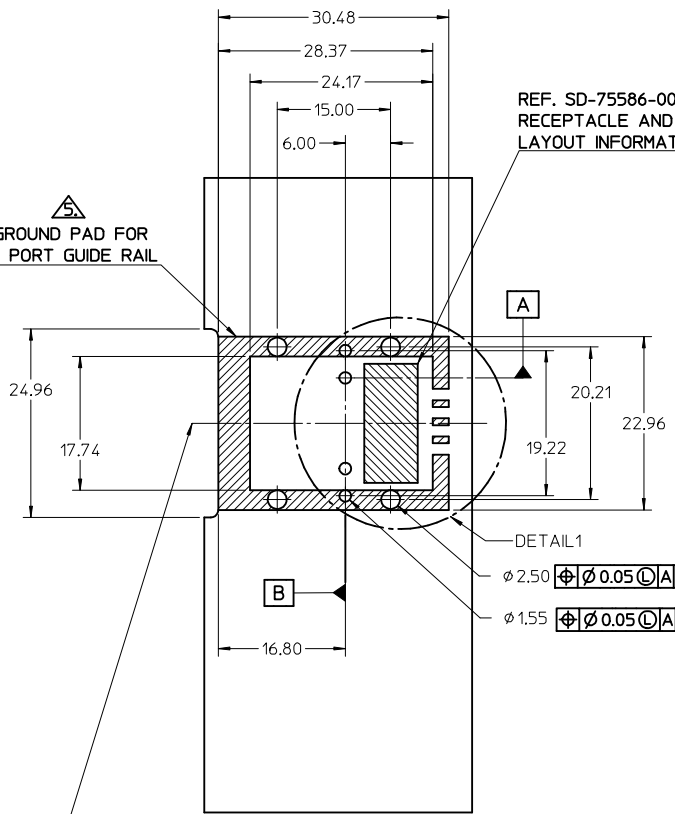
4X  $\varnothing 2.50$   $\oplus \varnothing 0.05 \text{ (C) } | A | B$   
2X  $\varnothing 1.55$   $\oplus \varnothing 0.05 \text{ (C) } | A | B$

PART NUMBER	SW	OAW	PORT SIZE	KEY(S) PORT 1	KEY(S) PORT 2	IDENTIFIERS	ELASTOMERIC GASKET FLAMMABILITY RATING
745480102	38.26	41.96	2	1	1	SATA - 'X' CABLES	94HB
745480106	38.26	41.96	2	2,4	2,4	SAS OUT PORT/END DEVICE	94HB
745480107	38.26	41.96	2	4,6	4,6	SAS IN PORT/END DEVICE	94HB
745480108	38.26	41.96	2	4	4	SAS UNIVERSAL PORT	94HB
745480113	38.26	41.96	2	7	7	SATA - 'M' CABLES	94HB
745480115	38.26	41.96	2	4,6	2,4	SAS IN PORT - SAS OUT PORT	94HB
745480116	38.26	41.96	2	2,4	4,6	SAS OUT PORT - SAS IN PORT	94HB
745480118	38.26	41.96	2	2	2	SAS - OUT PORT	94HB
745480121	38.26	41.96	2	6	6	SAS - IN PORT	94HB
745480124	38.26	41.96	2	3	3	SRIO	94HB
745480128	38.26	41.96	2	2,4	4,6	SAS OUT PORT - SAS IN PORT	94V-0

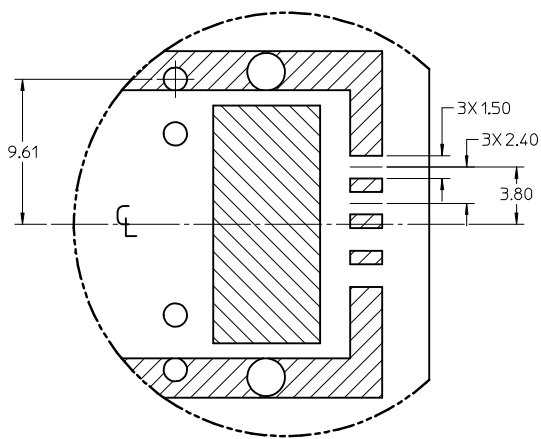
iPass™ is a Trademark of Molex, Inc.

<b>SEE REVISION TABLE</b> EC NO: CPG2015-3682 DRW: LUD0 2015/01/22 CHK: SYANG16 2015/01/26 APPR: RCHM08 2015/02/03	QUALITY SYMBOLS $\nabla = 0$ $\nabla = 0$ $\nabla = 0$	GENERAL TOLERANCES (UNLESS SPECIFIED) <table border="1"> <tr> <th></th> <th>mm</th> <th>INCH</th> </tr> <tr> <td>4 PLACES</td> <td><math>\pm</math> ---</td> <td><math>\pm</math> ---</td> </tr> <tr> <td>3 PLACES</td> <td><math>\pm</math> ---</td> <td><math>\pm</math> ---</td> </tr> <tr> <td>2 PLACES</td> <td><math>\pm</math> 0.13</td> <td><math>\pm</math> ---</td> </tr> <tr> <td>1 PLACE</td> <td><math>\pm</math> 0.25</td> <td><math>\pm</math> ---</td> </tr> <tr> <td>0 PLACE</td> <td><math>\pm</math></td> <td><math>\pm</math></td> </tr> </table>		mm	INCH	4 PLACES	$\pm$ ---	$\pm$ ---	3 PLACES	$\pm$ ---	$\pm$ ---	2 PLACES	$\pm$ 0.13	$\pm$ ---	1 PLACE	$\pm$ 0.25	$\pm$ ---	0 PLACE	$\pm$	$\pm$	DIMENSION STYLE <b>MM ONLY</b> DRAWN BY: SNAVARRO DATE: 2006/05/26 CHECKED BY: BREED DATE: 2006/05/26 APPROVED BY: DDOYE DATE: 2006/05/26	SCALE: 2:1 DESIGN UNITS: METRIC THIRD ANGLE PROJECTION	TITLE: <b>I-PASS 26CKT ONE DEG,          EMI GUIDE RAIL HOUSING          ASSEMBLY, MULTI PORT</b> 
		mm	INCH																				
	4 PLACES	$\pm$ ---	$\pm$ ---																				
	3 PLACES	$\pm$ ---	$\pm$ ---																				
2 PLACES	$\pm$ 0.13	$\pm$ ---																					
1 PLACE	$\pm$ 0.25	$\pm$ ---																					
0 PLACE	$\pm$	$\pm$																					
MATERIAL NO. DOCUMENT NO.	SHEET NO. 2 OF 4	<b>SEE P/N TABLE</b> SD-74548-100		THIS DRAWING CONTAINS INFORMATION THAT IS PROPRIETARY TO MOLEX INCORPORATED AND SHOULD NOT BE USED WITHOUT WRITTEN PERMISSION																			
DRAFT WHERE APPLICABLE MUST REMAIN WITHIN DIMENSIONS																							

GROUND PAD FOR  
1 PORT GUIDE RAIL

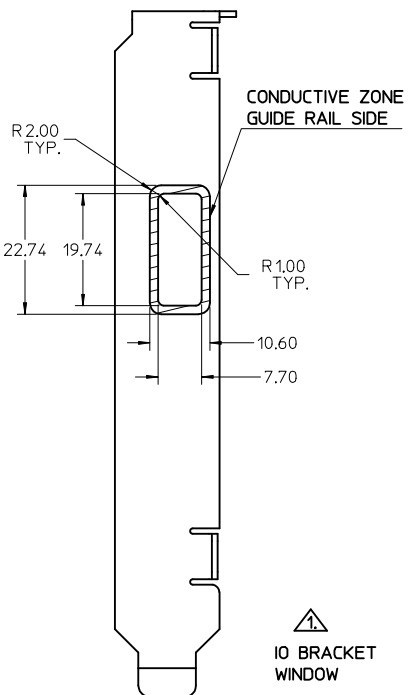


24.21  
(MIN CENTER TO CENTER RAIL  
SPACING USING M2X0.4 FLAT  
HEAD OR BUTTON HEAD SCREWS)

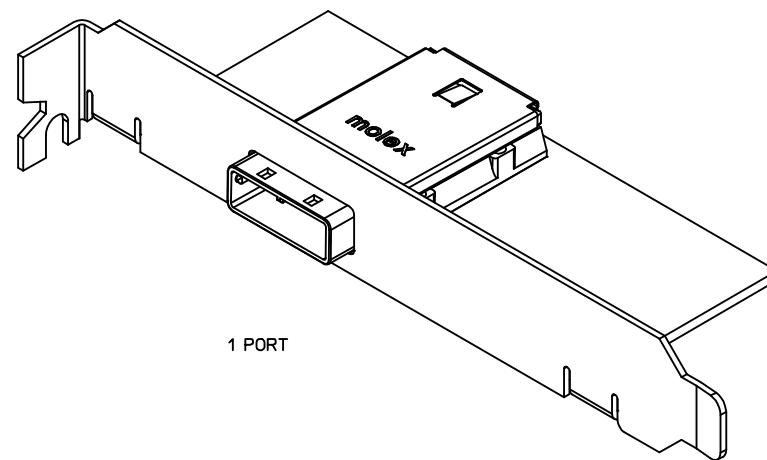


DETAIL 1  
SCALE 4:1

REF. SD-75586-001 FOR  
RECEPTACLE AND PCB  
LAYOUT INFORMATION



IO BRACKET  
WINDOW



PCB THICKNESS	SCREW LENGTH	TORQUE (IN LBS)
1.6 (.063')	5MM	2.3
2.38 (.093')	6MM	2.3
3.2 (.125')	6MM	2.3
X	+4MM MAX	2.3

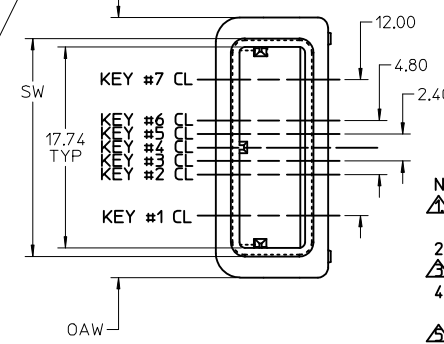
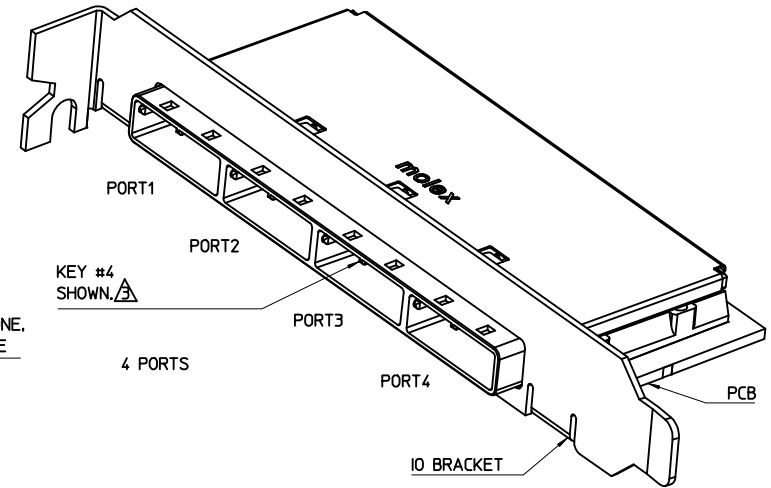
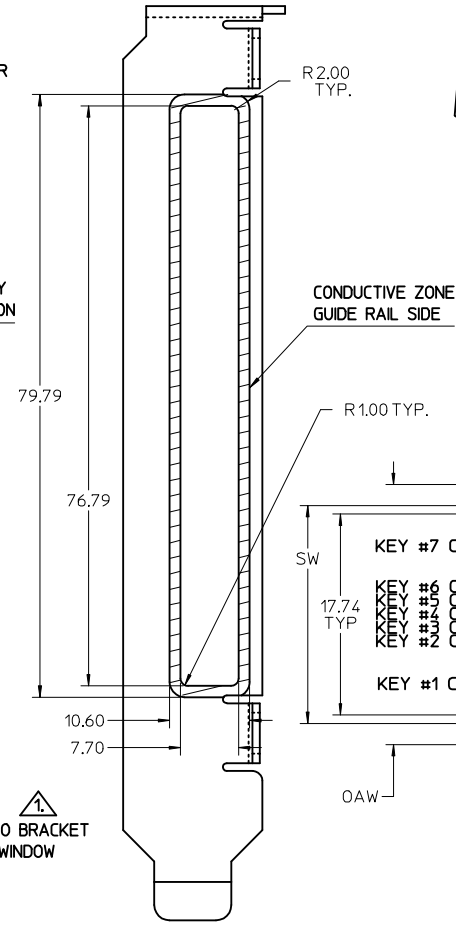
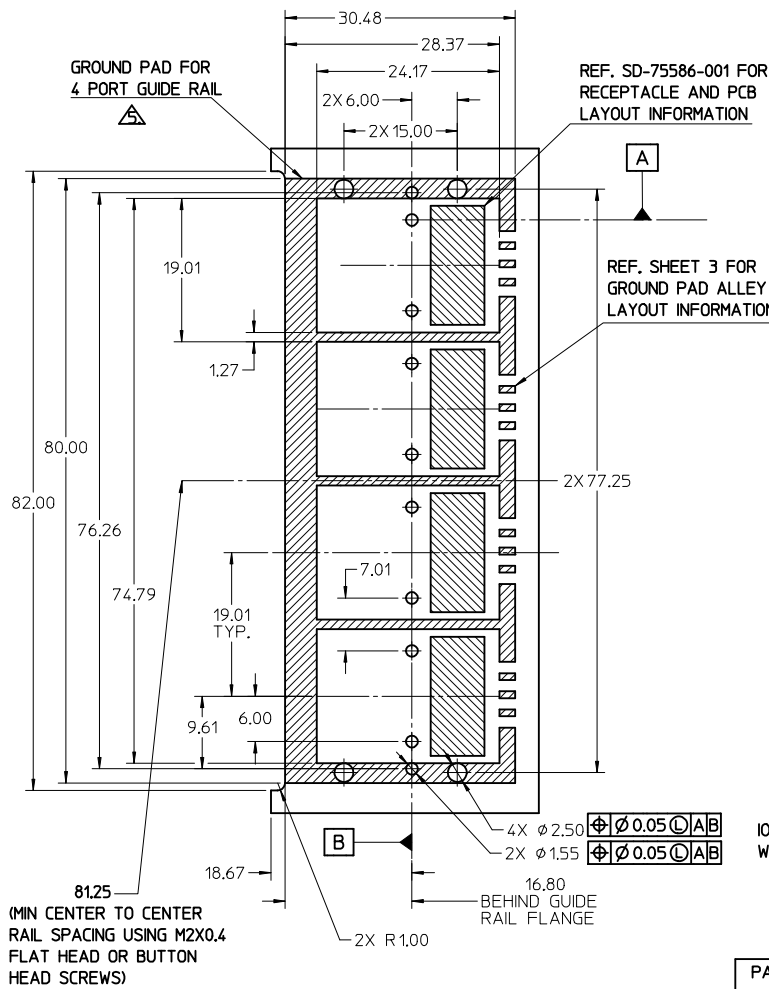
PART NUMBER	SW	OAW	PORT SIZE	KEY(S)	IDENTIFIERS	ELASTOMERIC GASKET FLAMMABILITY RATING
745480101	19.24	22.95	1	1	SATA - 'X' CABLES	94HB
745480109	19.24	22.95	1	2,4	SAS OUT PORT/END DEVICE	94HB
745480110	19.24	22.95	1	4,6	SAS IN PORT/END DEVICE	94HB
745480111	19.24	22.95	1	4	SAS UNIVERSAL PORT	94HB
745480114	19.24	22.95	1	7	SATA - 'M' CABLES	94HB
745480119	19.24	22.95	1	2	SAS - OUT PORT	94HB
745480122	19.24	22.95	1	6	SAS - IN PORT	94HB
745480125	19.24	22.95	1	3	SRIO	94HB

iPass™ is a Trademark of Molex, Inc.

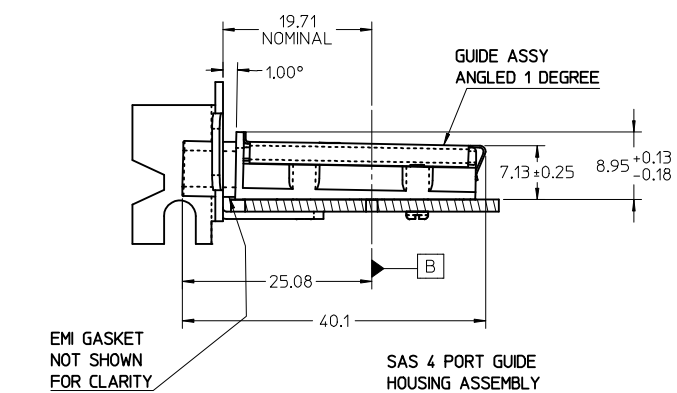
SEE REVISION TABLE	QUALITY SYMBOLS	GENERAL TOLERANCES (UNLESS SPECIFIED)		DIMENSION STYLE MM ONLY		SCALE 2:1	DESIGN UNITS METRIC	THIRD ANGLE PROJECTION
		mm	INCH	DRAWN BY	DATE			
EC NO: CPG2015-3882 DRWIN:LUZ0 2015/01/22 CHKD:SYANG16 2015/01/26 APPR:RCHEN08 2015/02/03 REV	▽=0	4 PLACES ±	±	SNABARRO	2006/05/26	TITLE <b>I-PASS 26CKT ONE DEG. EMI GUIDE RAIL HOUSING ASSEMBLY, MULTI PORT</b> <b>molex</b> DOCUMENT NO. SD-74548-100 SHEET NO. 3 OF 4		
	▽=0	3 PLACES ±	±	CHECKED BY	DATE			
	▽=0	2 PLACES ±	±	BREED	2006/05/26			
	▽=0	1 PLACE ±	±	APPROVED BY	DATE			
	▽=0	0 PLACE ±	±	DDOYE	2006/05/26			
		ANGULAR ±1/2°		MATERIAL NO.				
		DRAFT WHERE APPLICABLE MUST REMAIN WITHIN DIMENSIONS		SEE P/N TABLE				
				SIZE C		THIS DRAWING CONTAINS INFORMATION THAT IS PROPRIETARY TO MOLEX INCORPORATED AND SHOULD NOT BE USED WITHOUT WRITTEN PERMISSION		







- NOTES:
- REF. PCI EXPRESS CARD ELECTROMECHANICAL SPECIFICATION, REV 1.0a FOR BRACKET WINDOW LOCATION.
  - PCB AND BRACKET SHOWN FOR REFERENCE ONLY.
  - REF. SD-74547-100 FOR KEY POSITIONS.
  - GUIDE HOUSING MOUNTING THREAD= M2 X 0.40, SEE SHEET 3 FOR SCREW LENGTH + TORQUE SPEC.
  - PLATE GROUND PAD WITH EMERSION SILVER OR GOLD.
  - MATERIAL:  
GUIDE HOUSING - ZINC DIECAST, NICKEL PLATED.  
COVER - STAINLESS STEEL.  
GASKET: CONDUCTIVE ELASTOMER
  - NO RoHS EXEMPTIONS.
  - GUIDE HOUSING PEGS FOR ALIGNMENT ONLY, DO NOT SOLDER.



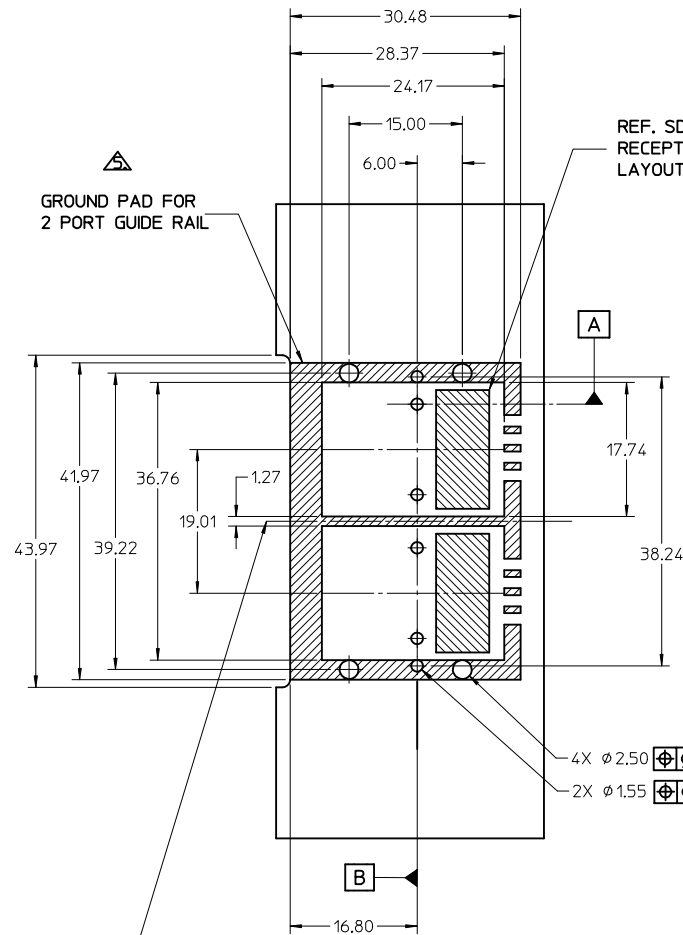
PART NUMBER	SW	OAW	PORT SIZE	KEY(S) PORT1	KEY(S) PORT2	KEY(S) PORT3	KEY(S) PORT4	IDENTIFIERS	ELASTOMERIC GASKET FLAMMABILITY RATING
745480100	76.29	79.99	4	1	1	1	1	SATA - 'X' CABLES	94HB
745480103	76.29	79.99	4	2,4	2,4	2,4	2,4	SAS OUT PORT/END DEVICE	94HB
745480104	76.29	79.99	4	4,6	4,6	4,6	4,6	SAS IN PORT/END DEVICE	94HB
745480105	76.29	79.99	4	4	4	4	4	SAS UNIVERSAL PORT	94HB
745480112	76.29	79.99	4	7	7	7	7	SATA - 'M' CABLES	94HB
745480117	76.29	79.99	4	2	2	2	2	SAS - OUT PORT	94HB
745480120	76.29	79.99	4	6	6	6	6	SAS - IN PORT	94HB

<b>SEE REVISION TABLE</b> EC NO: CPG2015-3882 DRWN:LUZ0 2015/01/22 CHKD:SYANG16 2015/01/26 APPR:RCHEN08 2015/02/03	QUALITY SYMBOLS ▽=0 ▽=0 ▽=0	GENERAL TOLERANCES (UNLESS SPECIFIED)		DIMENSION STYLE MM ONLY		SCALE 2:1	DESIGN UNITS METRIC	THIRD ANGLE PROJECTION		
		4 PLACES ± --- ± --- 3 PLACES ± --- ± --- 2 PLACES ± 0.13 ± --- 1 PLACE ± 0.25 ± --- 0 PLACE ± ±	mm INCH ± --- ± --- ± 0.13 ± --- ± 0.25 ± --- ± ±	DRAWN BY SNAVARRO	DATE 2006/05/26	CHECKED BY BREED	DATE 2006/05/26	TITLE I-PASS 26CKT ONE DEG. EMI GUIDE RAIL HOUSING ASSEMBLY, MULTI PORT		
		ANGULAR ±1/2°		APPROVED BY DDOYE	DATE 2006/05/26	MATERIAL NO. DOCUMENT NO. SD-74548-100				
		DRAFT WHERE APPLICABLE MUST REMAIN WITHIN DIMENSIONS		SEE P/N TABLE		SHEET NO. 1 OF 4				

THIS DRAWING CONTAINS INFORMATION THAT IS PROPRIETARY TO MOLEX INCORPORATED AND SHOULD NOT BE USED WITHOUT WRITTEN PERMISSION

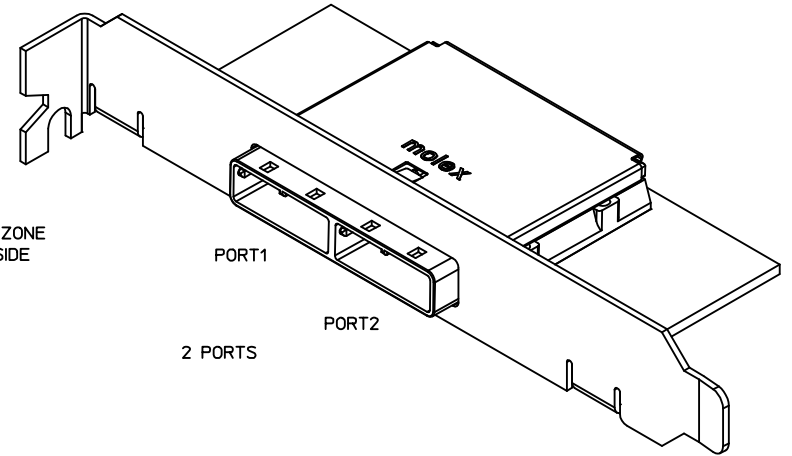
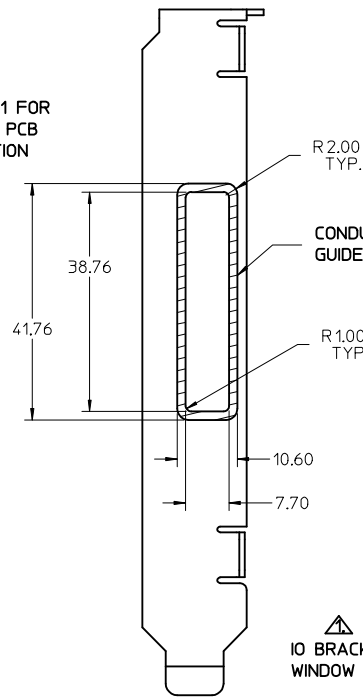
iPass™ is a Trademark of Molex, Inc.

**molex**



43.22  
(MIN CENTER TO CENTER RAIL  
SPACING USING M2X0.4 FLAT  
HEAD OR BUTTON HEAD SCREWS)

REF. SD-75586-001 FOR  
RECEPTACLE AND PCB  
LAYOUT INFORMATION



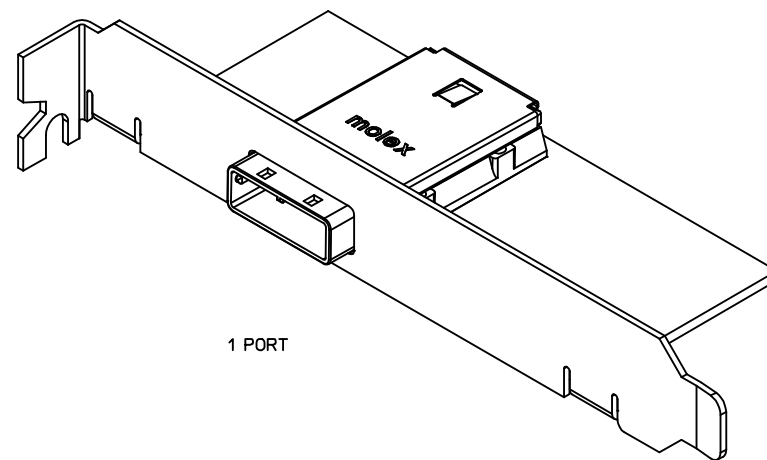
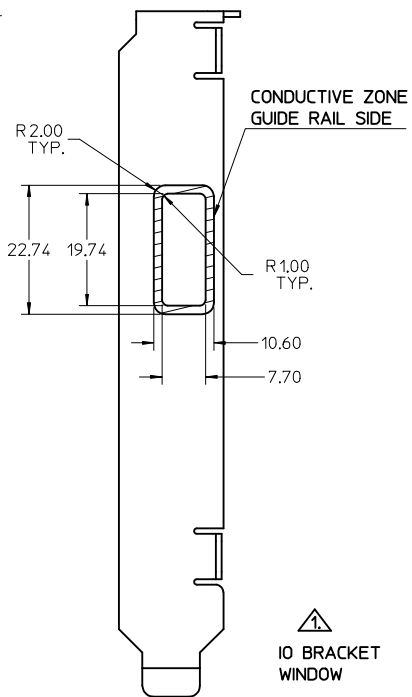
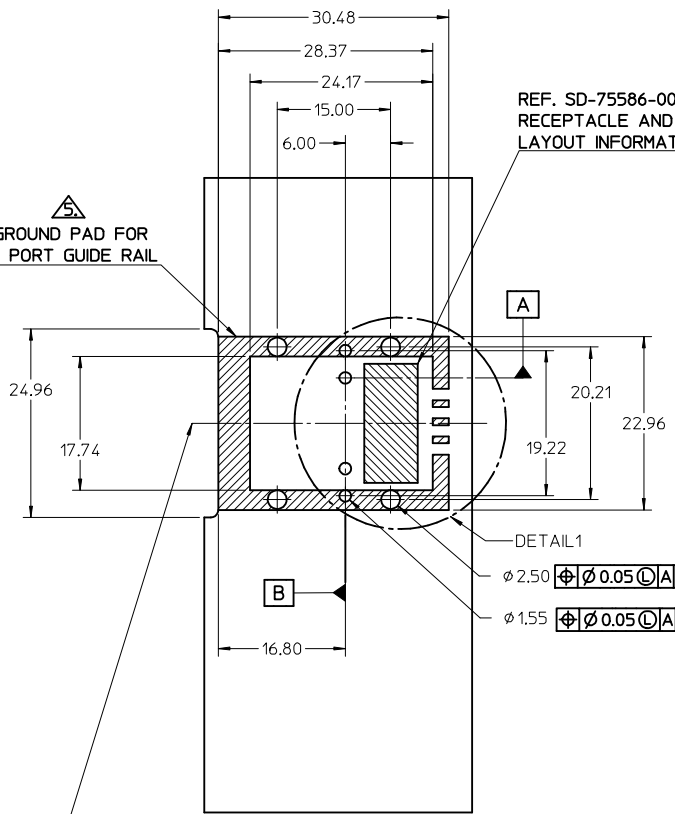
4X  $\phi 2.50$   $\oplus \ominus \phi 0.05 \text{ (C) } | A | B$   
2X  $\phi 1.55$   $\oplus \ominus \phi 0.05 \text{ (C) } | A | B$

PART NUMBER	SW	OAW	PORT SIZE	KEY(S) PORT 1	KEY(S) PORT 2	IDENTIFIERS	ELASTOMERIC GASKET FLAMMABILITY RATING
745480102	38.26	41.96	2	1	1	SATA - 'X' CABLES	94HB
745480106	38.26	41.96	2	2,4	2,4	SAS OUT PORT/END DEVICE	94HB
745480107	38.26	41.96	2	4,6	4,6	SAS IN PORT/END DEVICE	94HB
745480108	38.26	41.96	2	4	4	SAS UNIVERSAL PORT	94HB
745480113	38.26	41.96	2	7	7	SATA - 'M' CABLES	94HB
745480115	38.26	41.96	2	4,6	2,4	SAS IN PORT - SAS OUT PORT	94HB
745480116	38.26	41.96	2	2,4	4,6	SAS OUT PORT - SAS IN PORT	94HB
745480118	38.26	41.96	2	2	2	SAS - OUT PORT	94HB
745480121	38.26	41.96	2	6	6	SAS - IN PORT	94HB
745480124	38.26	41.96	2	3	3	SRIO	94HB
745480128	38.26	41.96	2	2,4	4,6	SAS OUT PORT - SAS IN PORT	94V-0

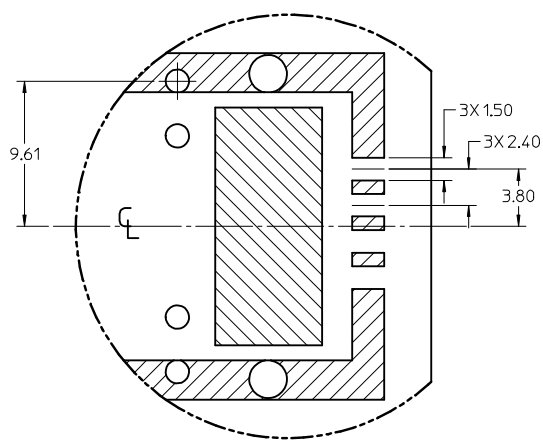
iPass™ is a Trademark of Molex, Inc.

<b>SEE REVISION TABLE</b> EC NO: CPG2015-3682 DRW: LUD0 2015/01/22 CHK: SYANG16 2015/01/26 APPR: RCHM08 2015/02/03	QUALITY SYMBOLS $\nabla = 0$ $\nabla = 0$ $\nabla = 0$	GENERAL TOLERANCES (UNLESS SPECIFIED) <table border="1"> <tr> <th></th> <th>mm</th> <th>INCH</th> </tr> <tr> <td>4 PLACES</td> <td><math>\pm 0.13</math></td> <td><math>\pm 0.005</math></td> </tr> <tr> <td>3 PLACES</td> <td><math>\pm 0.25</math></td> <td><math>\pm 0.010</math></td> </tr> <tr> <td>2 PLACES</td> <td><math>\pm 0.38</math></td> <td><math>\pm 0.015</math></td> </tr> <tr> <td>1 PLACE</td> <td><math>\pm 0.51</math></td> <td><math>\pm 0.020</math></td> </tr> <tr> <td>0 PLACE</td> <td><math>\pm 0.64</math></td> <td><math>\pm 0.025</math></td> </tr> </table>		mm	INCH	4 PLACES	$\pm 0.13$	$\pm 0.005$	3 PLACES	$\pm 0.25$	$\pm 0.010$	2 PLACES	$\pm 0.38$	$\pm 0.015$	1 PLACE	$\pm 0.51$	$\pm 0.020$	0 PLACE	$\pm 0.64$	$\pm 0.025$	DIMENSION STYLE <b>MM ONLY</b> DRAWN BY: SNAVARRO DATE: 2006/05/26 CHECKED BY: BREED DATE: 2006/05/26 APPROVED BY: DDOYE DATE: 2006/05/26	SCALE: 2:1 DESIGN UNITS: METRIC THIRD ANGLE PROJECTION	TITLE: <b>I-PASS 26CKT ONE DEG,          EMI GUIDE RAIL HOUSING          ASSEMBLY, MULTI PORT</b> 
		mm	INCH																				
	4 PLACES	$\pm 0.13$	$\pm 0.005$																				
	3 PLACES	$\pm 0.25$	$\pm 0.010$																				
2 PLACES	$\pm 0.38$	$\pm 0.015$																					
1 PLACE	$\pm 0.51$	$\pm 0.020$																					
0 PLACE	$\pm 0.64$	$\pm 0.025$																					
MATERIAL NO. DOCUMENT NO.	SHEET NO. 2 OF 4	<b>SEE P/N TABLE</b> SD-74548-100		THIS DRAWING CONTAINS INFORMATION THAT IS PROPRIETARY TO MOLEX INCORPORATED AND SHOULD NOT BE USED WITHOUT WRITTEN PERMISSION																			
DRAFT WHERE APPLICABLE MUST REMAIN WITHIN DIMENSIONS																							

GROUND PAD FOR  
1 PORT GUIDE RAIL



PCB THICKNESS	SCREW LENGTH	TORQUE (IN LBS)
1.6 (.063')	5MM	2.3
2.38 (.093')	6MM	2.3
3.2 (.125')	6MM	2.3
X	+4MM MAX	2.3



DETAIL 1  
SCALE 4:1

PART NUMBER	SW	OAW	PORT SIZE	KEY(S)	IDENTIFIERS	ELASTOMERIC GASKET FLAMMABILITY RATING
745480101	19.24	22.95	1	1	SATA - 'X' CABLES	94HB
745480109	19.24	22.95	1	2, 4	SAS OUT PORT/END DEVICE	94HB
745480110	19.24	22.95	1	4, 6	SAS IN PORT/END DEVICE	94HB
745480111	19.24	22.95	1	4	SAS UNIVERSAL PORT	94HB
745480114	19.24	22.95	1	7	SATA - 'M' CABLES	94HB
745480119	19.24	22.95	1	2	SAS - OUT PORT	94HB
745480122	19.24	22.95	1	6	SAS - IN PORT	94HB
745480125	19.24	22.95	1	3	SRIO	94HB

iPass™ is a Trademark of Molex, Inc.

SEE REVISION TABLE EC NO: CPG2015-3882 DRWIN:LU20 2015/01/22 CHKD:SYANG'6 2015/01/26 APPR:RCHEN08 2015/02/03	QUALITY SYMBOLS ▽=0 ▽=0 ▽=0	GENERAL TOLERANCES (UNLESS SPECIFIED)		DIMENSION STYLE MM ONLY		SCALE 2:1	DESIGN UNITS METRIC	THIRD ANGLE PROJECTION
		mm	INCH	DRAWN BY SNAVARRO	DATE 2006/05/26	TITLE	DOCUMENT NO.	SHEET NO.
REV	DESCRIPTION	4 PLACES	± .005	± .005	CHECKED BY BREED	DATE 2006/05/26	I-PASS 26CKT ONE DEG. EMI GUIDE RAIL HOUSING ASSEMBLY, MULTI PORT	
		3 PLACES	± .005	± .005	APPROVED BY DDOYE	DATE 2006/05/26		
		2 PLACES	± 0.13	± .005	MATERIAL NO.		SD-74548-100	
		1 PLACE	± 0.25	± .005	DRAFT WHERE APPLICABLE MUST REMAIN WITHIN DIMENSIONS		3 OF 4	
		0 PLACE	±	±	THIS DRAWING CONTAINS INFORMATION THAT IS PROPRIETARY TO MOLEX INCORPORATED AND SHOULD NOT BE USED WITHOUT WRITTEN PERMISSION			

