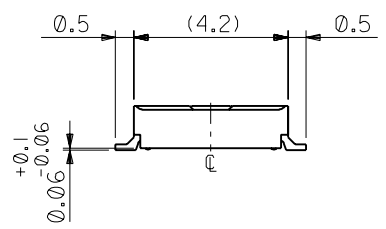
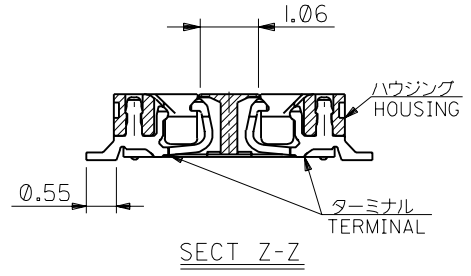
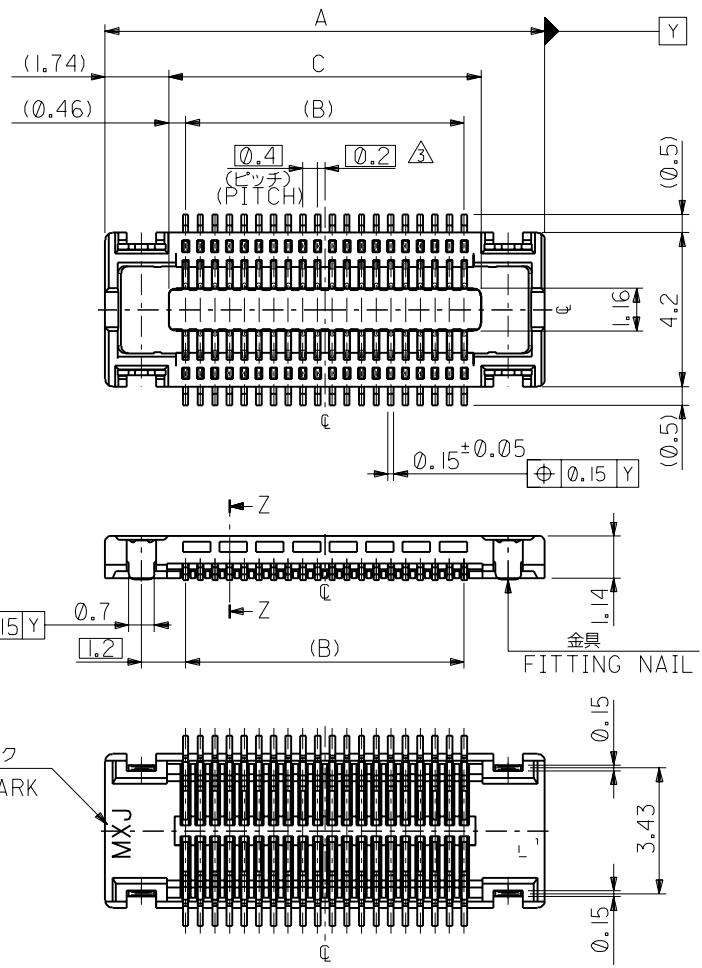


DWG. NO. SD-54518-008



20.52	19.6	24	54518-1001	100
16.52	15.6	20	54518-0801	80
12.52	11.6	16	54518-0601	60
C	B	A	MATERIAL NO.	CKT.

DO NOT SCALE DRAWING

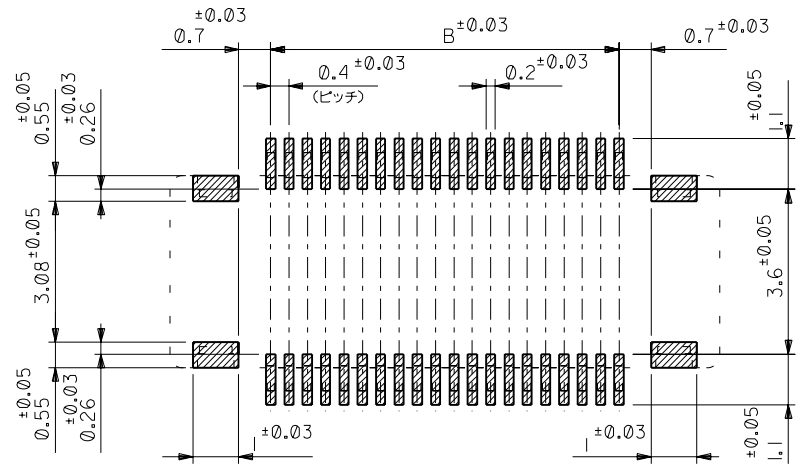
DESIGN NO. DRAWN: CHK: APPR:	DESIGN NO. DRAWN: CHK: APPR:	DESIGN NO. DRAWN: CHK: APPR:	DESIGN NO. DRAWN: CHK: APPR:	DESIGN NO. DRAWN: CHK: APPR:	RELEASED DATE: '00/1/28 DRAWN: T.KAIHO CHK: T.ITO APPR: M.FUKUSHIMA
---------------------------------------	---------------------------------------	---------------------------------------	---------------------------------------	---------------------------------------	---

MATERIAL 材料	SHEET 2 OF 2 参照 SEE SHEET 2 OF 2
FINISH 仕上り	//
WIRE RANGE 適用線径範囲	//
INS. RANGE 被覆外径	//

GENERAL TOLERANCES: (UNLESS SPECIFIED) 一般公差	SCALE —/— mm INCH	DESIGN UNITS <input checked="" type="checkbox"/> mm <input type="checkbox"/> INCH	
10 UNDER 未満	+0.2	DRAWN BY & DATE T.KAIHO '00/1/28	
10 OVER 以上	30 UNDER 未満	+0.25	CHECKED BY & DATE T.ITO '00/1/28
30 OVER 以上	+0.3	APPROVED BY & DATE M.FUKUSHIMA '00/1/28	
ANGLE 角度	+3°	CAD FILENAME 54518008.S01	

MODEL NO.	54518-***1	DIMENSIONS:	SHT	REV
PROJECTION	<input checked="" type="checkbox"/> 2ND ANGLE	<input type="checkbox"/> mm <input type="checkbox"/> INCH <input checked="" type="checkbox"/> mm ONLY		
TITLE: 0.4 B-To-B Conn Rec Hsg Assy (Hgt=1.5) WITH NAIL		MATERIAL NO. DRAWING NO. SHEET NO. SEE CHART SD-54518-008 1 OF 2		
MATERIAL NO. DRAWING NO. SHEET NO. SEE CHART SD-54518-008 1 OF 2		SIZE B		

THIS DRAWING CONTAINS INFORMATION THAT IS PROPRIETARY TO MOLEX INCORPORATED AND SHOULD NOT BE USED WITHOUT WRITTEN PERMISSION.



参考基板レイアウト (マウント面)
P.C.BOARD PATTERN DIMENSION (REFERENCE)
(MOUNTING AREA)

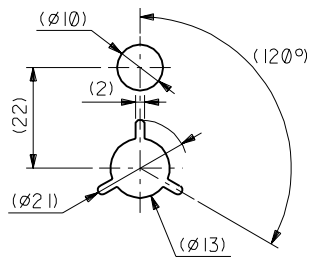
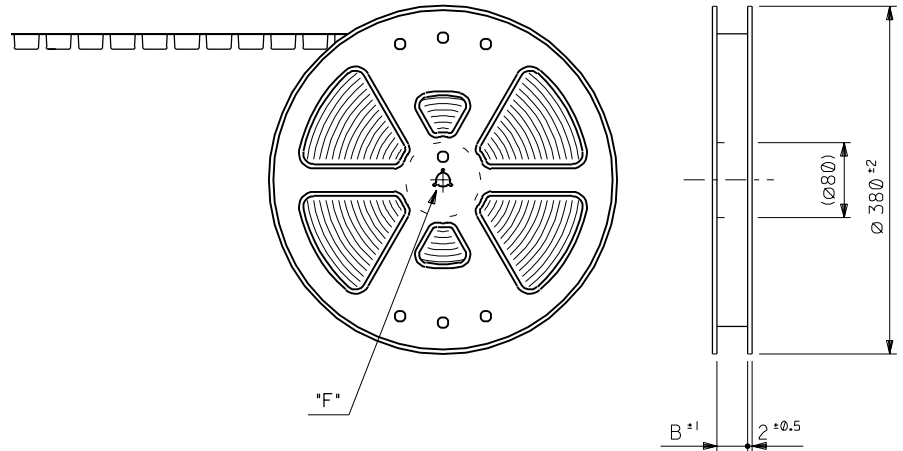
注記 NOTES:

- 使用材料 MATERIAL
ハウジング:液晶ポリマー ガラス充填 UL94V-0 (黒)
HOUSING:LIQUID CRYSTAL POLYMER(GLASS FILLED)
UL94V-0 (COLOR:BLACK)
ターミナル:リン青銅 (t=0.15)
TERMINAL:PHOSPHOR BRONZE(t=0.15)
金具:リン青銅 (t=0.15)
FITTING NAIL:PHOSPHOR BRONZE(t=0.15)
- メッキ仕様 PLATING
ターミナル TERMINAL
金メッキ 0.25マイクロメートル以上 (コンタクト部)
GOLD 0.25MICROMETER MINIMUM (CONTACT AREA)
金メッキ 0.4マイクロメートル以下 (テール部)
GOLD 0.4MICROMETER MAXIMUM (TAIL AREA)
下地メッキ:ニッケルメッキ 1.5マイクロメートル以上
UNDER PLATING : NICKEL 1.5MICROMETER MINIMUM
金具 FITTING NAIL
半田メッキ 3.0マイクロメートル以上
Sn-Pb 3.0MICROMETER MINIMUM
下地メッキ:銅メッキ 1.0マイクロメートル以上
Cu 1.0MICROMETER MINIMUM
△ (全極数/2) = 偶数の場合に適用。
APPLY FOR (CIRCUIT/2)=EVEN.
- 嵌合相手: 55372-***7
MATE WITH : 55372-***7
- テール平坦度は、0.08以下
テール及び金具の平坦度は、0.1以下
TAIL COPLANARITY TO BE 0.08MAXIMUM
TAIL AND FITTING NAIL
COPLANARITY TO BE 0.1MAXIMUM

EG4NO. DRWN: CHK: APPR: EG3NO. DRWN: CHK: APPR: EG2NO. DRWN: CHK: APPR: EG1NO. DRWN: CHK: APPR: RELEASED '00/1/28 EG0NO. JC2000-0346 DRWN: T.KAIHO CHK: T.ITO APPR: M.FUKUSHIMA REV 0	MATERIAL 材料 注記参照 SEE NOTES FINISH 仕上げ // WIRE RANGE 適用範囲線群 // INS. RANGE 被覆外径 //	GENERAL TOLERANCES: (UNLESS SPECIFIED) 一般公差		MODEL NO. 54518-***1	DIMENSIONS: SCALE 1/8" = 1"		SHT 1	REV		
		10 UNDER 未滿 10 OVER 以上	±0.2 ±0.25	DRAWN BY & DATE T.KAIHO '00/1/28 CHECKED BY & DATE T.ITO '00/1/28 APPROVED BY & DATE M.FUKUSHIMA '00/1/28	TITLE: 0.4 B-To-B Conn Rec Hsg Assy (Hgt=1.5) WITH NAIL		MOLEX INCORPORATED		SHEET NO. 2 OF 2	SIZE B
		30 OVER 以上	±0.3	CAD FILENAME 54518008.S02	MATERIAL NO. SEE CHART	DRAWING NO. SD-54518-008	SHEET NO. 2 OF 2		SIZE B	
		ANGLE 角度	+3°	DRAWING CONTAINS INFORMATION THAT IS PROPRIETARY TO MOLEX INCORPORATED AND SHOULD NOT BE USED WITHOUT WRITTEN PERMISSION.						

DWG. NO. SD-54518-009

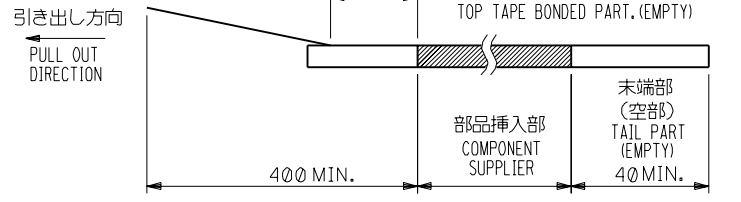
引き出し方向
PULL OUT
DIRECTION



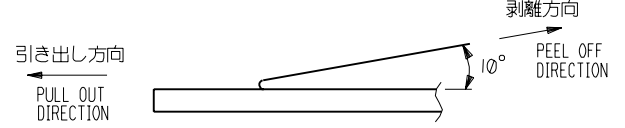
DETAIL "F"

NOTES

- 製品詳細寸法については図面 SD-54518-008 を参照下さい。
RE DETAILED DIMENSION, SEE SD-54518-008
- 梱包数量：3000個/リール
NUMBER OF CONNECTORS : 3000PCS/REEL
- リードテープ長さ LEAD TAPE LENGTH
20PCS. MIN. トップテープ接着部 (空エンボス)



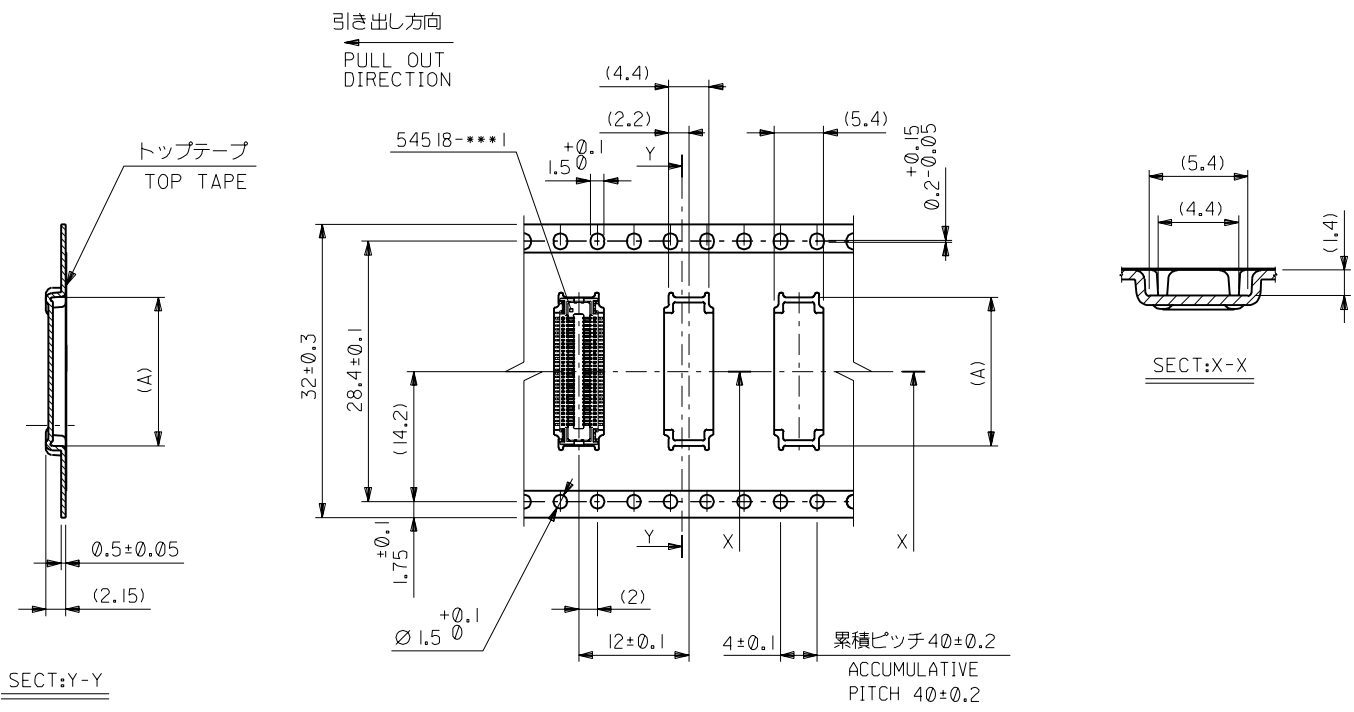
- トップテープの剥離強度：0.1N ~ 0.7N (10.2gf ~ 71.4gf)
(剥離方向は下図参照)
尚、本規格値は出荷時に適用。(但し、輸送時に剥離が発生しないこと。)
PEELING OFF FORCE OF TOP TAPE : 0.1N ~ 0.7N (10.2gf ~ 71.4gf)
(PEELING DIRECTION AS SHOWN IN FOLLOWING FIG.)
THIS REQUIREMENT SHOULD BE APPLIED AT SHIPMENT.
PEEL OFF SHOULD NOT BE ALLOWED , DURING TRANSPORTATION.



- 材料 (MATERIAL)
キャリアテープ (CARRIER TAPE) : ポリプロピレン (POLYPROPYLENE)
トップテープ (TOP TAPE) : PET , PE , PEF
リール (REEL) : ポリスチレン (PS) <リサイクル材を含む>
POLYSTYREN (PS) <RECYCLE MATERIAL CONTAINED>

DO NOT SCALE DRAWING

図番 NO. DRWN: CHK: APPR: 図番 NO. DRWN: CHK: APPR: 図番 NO. DRWN: CHK: APPR:		REVISED '01/21 図番 NO. JC2001-0623 DRWN: C. OKUYAMA CHK: T. ITO APPR: M. FUKUSHIMA	RELEASED '00/1/28 図番 NO. JC2000-0346 DRWN: T. KAIHO CHK: T. ITO APPR: M. FUKUSHIMA	MATERIAL 材料 注記参照 SEE NOTES	GENERAL TOLERANCES: (UNLESS SPECIFIED) 一般公差	SCALE 1/1	MODEL NO. 54518-***2 DESIGN UNITS <input checked="" type="checkbox"/> mm <input type="checkbox"/> INCH	DIMENSIONS: <input type="checkbox"/> mm <input type="checkbox"/> INCH <input checked="" type="checkbox"/> mm ONLY	SHT 1 OF 3 REV REVISE ON CAD ONLY	
				FINISH 仕上げ //	10 UNDER 未満 0.2	DRAWN BY & DATE T. KAIHO '00/1/28	TITLE: 0.4 B-T0-B Rec Assy W/NAIL (Hgt=1.5) Embstp pkg			
				WIRE RANGE 適用線径範囲 //	10 OVER 30 UNDER 未満 0.25	CHECKED BY & DATE T. ITO '01/2/1	MOLEX INCORPORATED			
				INS. RANGE 被覆外径 //	30 OVER 以上 0.3	APPROVED BY & DATE M. FUKUSHIMA '01/2/1	CAD FILENAME 54518009.S01	MATERIAL NO. SEE CHART	DRAWING NO. SD-54518-009	SHEET NO. 1 OF 3
2005 DRAWING CONTAINS INFORMATION THAT IS PROPRIETARY TO MOLEX INCORPORATED AND SHOULD NOT BE USED WITHOUT WRITTEN PERMISSION.						ANGLE 角度 +3°				



32mm幅キャリアテープ
32mm WIDTH CARRIER TAPE

32	33.5	20.2	54518-0802	80
		16.2	54518-0602	60
キャリアテープ幅 CARRIER TAPE WIDTH	B	(A)	MATERIAL NO.	種数 CKT.

DO NOT SCALE DRAWING

④NO. DRWN: CHK: APPR:	③NO. DRWN: CHK: APPR:	②NO. DRWN: CHK: APPR:	REVISED '01/2/1 ④NO. JC2001-0623 DRWN: OKUYAMA CHK: T.ITO APPR: M.FUKUSHIMA	RELEASED '00/1/28 ④NO. JC2000-0346 DRWN: T.KAIHO CHK: T.ITO APPR: M.FUKUSHIMA	MATERIAL 材料 注記参照 SEE NOTES
FINISH 仕上げ //					
WIRE RANGE 通所線幅 //					
INS. RANGE 被覆外径 //					

GENERAL TOLERANCES: (UNLESS SPECIFIED) 一般公差		SCALE 1/1	DESIGN UNITS <input checked="" type="checkbox"/> mm <input type="checkbox"/> INCH
10 UNDER 未満	+0.2	DRAWN BY & DATE T.KAIHO '00/1/28	
10 OVER 以上 30 UNDER 未満	+0.25	CHECKED BY & DATE T.ITO '01/2/1	
30 OVER 以上	+0.3	APPROVED BY & DATE M.FUKUSHIMA '01/2/1	
ANGLE 角度	+3°	CAD FILENAME 54518009.S02	

MODEL NO.	54518-***2	DIMENSIONS: <input checked="" type="checkbox"/> mm <input type="checkbox"/> INCH <input checked="" type="checkbox"/> mm ONLY		SHT	REV
TITLE: 0.4 B-T0-B Rec Assy W/NAIL (Hgt=1.5) Embstp pkg		MATERIAL NO. DRAWING NO. SHEET NO. SEE CHART SD-54518-009 2 OF 3			
MATERIAL NO. DRAWING NO. SHEET NO. SEE CHART SD-54518-009 2 OF 3		SIZE B			

THIS DRAWING CONTAINS INFORMATION THAT IS PROPRIETARY TO MOLEX INCORPORATED AND SHOULD NOT BE USED WITHOUT WRITTEN PERMISSION.

④ NO. DRWN: CHK: APPR:	③ NO. DRWN: CHK: APPR:	② NO. DRWN: CHK: APPR:	REVISED '01/2/1 ① NO. JC2001-0623 DRWNC. OKUYAMA CHK: T. ITO APPR. M. FUKUSHIMA	RELEASED '00/1/28 ① NO. JC2000-0346 DRWN: T. KAIHO CHK: T. ITO APPR. M. FUKUSHIMA	MATERIAL 材料 注記参照 SEE NOTES
FINISH 仕上げ //					
WIRE RANGE 適用線径範囲 //					
INS. RANGE 被覆外径 //					

REVISED '01/2/1 ① NO. JC2001-0623 DRWNC. OKUYAMA CHK: T. ITO APPR. M. FUKUSHIMA	RELEASED '00/1/28 ① NO. JC2000-0346 DRWN: T. KAIHO CHK: T. ITO APPR. M. FUKUSHIMA	MATERIAL 材料 注記参照 SEE NOTES
FINISH 仕上げ //		
WIRE RANGE 適用線径範囲 //		
INS. RANGE 被覆外径 //		

REVISED '01/2/1 ① NO. JC2001-0623 DRWNC. OKUYAMA CHK: T. ITO APPR. M. FUKUSHIMA	RELEASED '00/1/28 ① NO. JC2000-0346 DRWN: T. KAIHO CHK: T. ITO APPR. M. FUKUSHIMA	MATERIAL 材料 注記参照 SEE NOTES
FINISH 仕上げ //		
WIRE RANGE 適用線径範囲 //		
INS. RANGE 被覆外径 //		

GENERAL TOLERANCES: (UNLESS SPECIFIED) 一般公差	SCALE 縮尺 10 UNDER 未満 10 OVER 以上 30 UNDER 未満 30 OVER 以上 ANGLE 角度 +0.2 +0.25 +0.3 +3°	DESIGN UNITS 設計単位 <input checked="" type="checkbox"/> mm <input type="checkbox"/> INCH DRAWN BY & DATE T. KAIHO '00/1/28 CHECKED BY & DATE T. ITO '01/2/1 APPROVED BY & DATE M. FUKUSHIMA '01/2/1 CAD FILENAME 54518009.S03
---	---	---

TITLE: 0.4 B-T0-B Rec Assy W/NAIL (Hgt=1.5) Embstp pkg	MOLEX INCORPORATED
MATERIAL NO. SEE CHART	DRAWING NO. SD-54518-009

SHEET NO. 3 OF 3	SIZE B
---------------------	-----------

