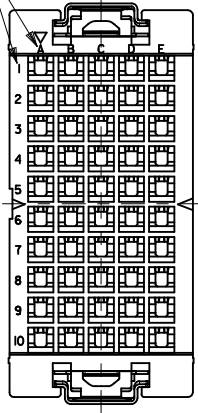


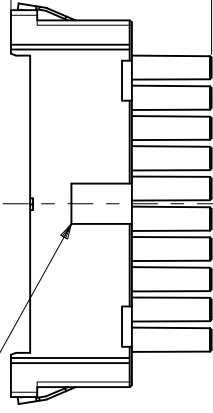
回路番号表示
CKT.No.IDENTIFICATION



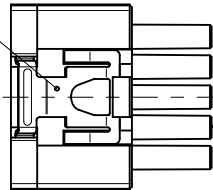
電線挿入側
WIRE SIDE

シエル挿入方向キー
POLARIZATIONS KEY FOR SHELL

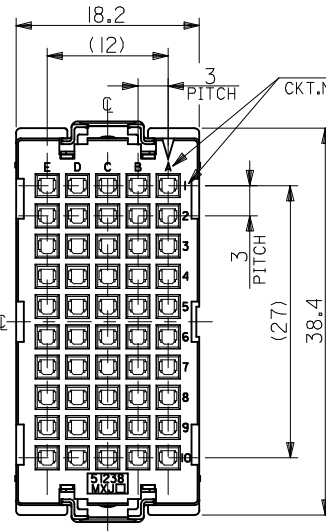
19.9



②



①



嵌合側
MATING SIDE

回路番号表示
CKT.No.IDENTIFICATION

シエル挿入方向キー
POLARIZATIONS KEY FOR SHELL

注記
NOTES

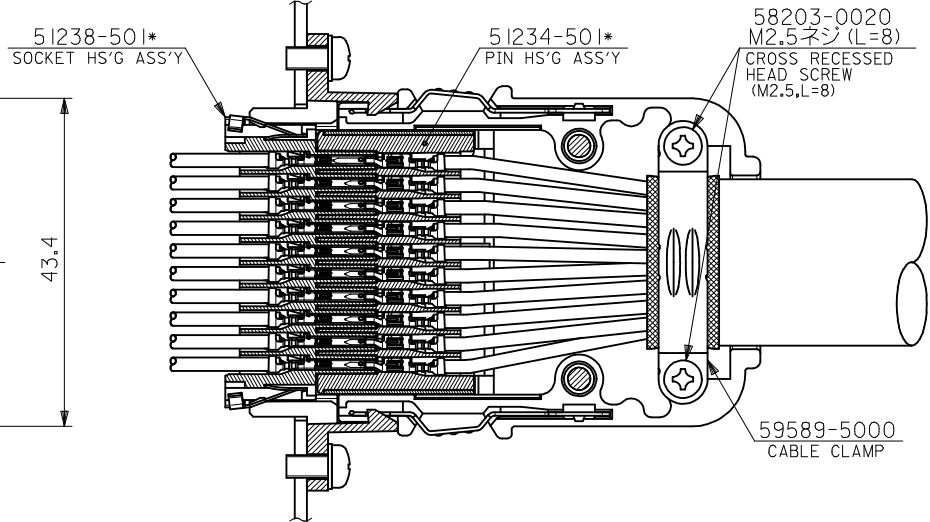
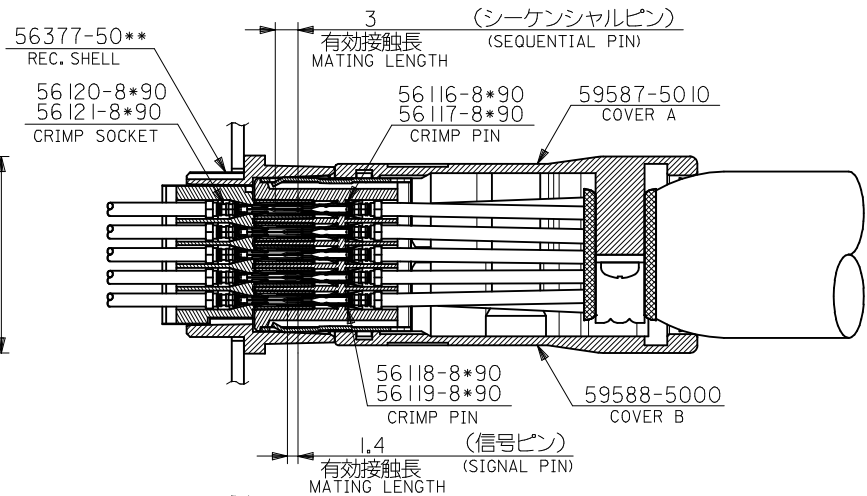
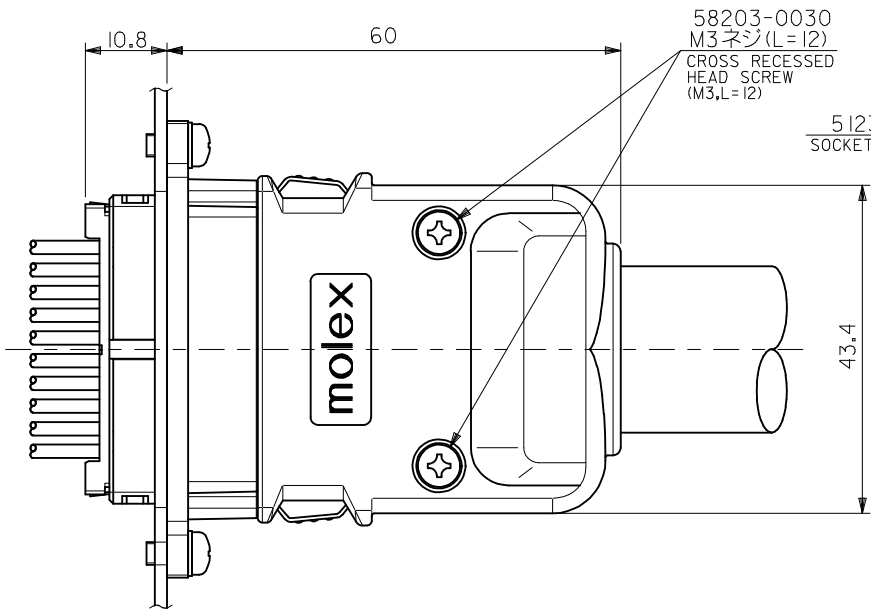
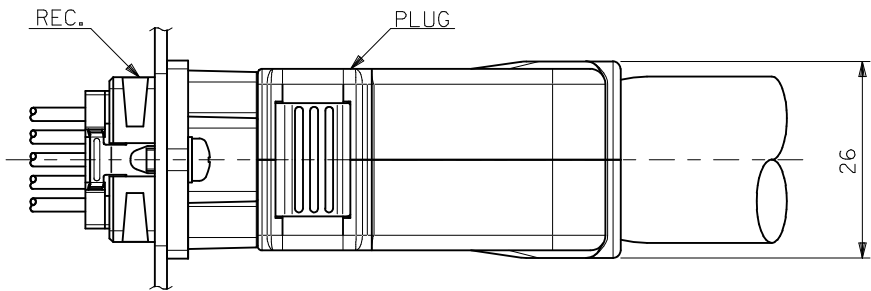
- 材質
MATERIAL
①ハウジング：ガラス入りPBT樹脂
HOUSING : PBT G.F.
UL94V-0 色：灰
UL94V-0 COLOR : GRAY
②スプリング：ステンレス鋼 t0.3
SPRING : STAINLESS STEEL t0.3
- 適用端子：56120-8*90, 56121-8*90
APPLICABLE CRIMP PIN : 56120-8*90, 56121-8*90
- 適用リセプタクル シエル：56377-50**
APPLICABLE RECEPTACLE SHELL : 56377-50**
- 嵌合相手：51234-501*
MEET WITH : 51234-501*

<誤嵌合防止キー(極性)タイプ> <POLARITY KEY TYPE>

| | | | | |
|---------------|------------|------------|------------|------------|
| 51238-5011 | 51238-5012 | 51238-5013 | 51238-5014 | 51238-5015 |
| | | | | |
| STANDARD TYPE | A TYPE | B TYPE | C TYPE | D TYPE |

| | | | | |
|---------------------------------|---------------|--------------|-------------|---------|
| D-6 | C | 51238-5014 | 51238-***1* | 50 |
| C-6 | B | 51238-5013 | | |
| C-5 | STANDARD | 51238-5011 | | |
| POLARITY POSITION (CIRCUIT NO.) | POLARITY TYPE | MATERIAL NO. | MODEL NO. | CIRCUIT |

| | | | | | | | | | |
|--|--------------------|---------------------------------------|-------|----------------------------|-------------------|--|------------------------|---------------------------|--|
| REVISED EC NO: J2009-1234 DRWN: YOSHIDAM 2008/12/15 CHKD: THARUYAMA 2008/12/15 APPR: NUKITA 2008/12/16 | DESCRIPTION REV | GENERAL TOLERANCES (UNLESS SPECIFIED) | | DIMENSION STYLE MM ONLY | | SCALE --- | DESIGN UNITS METRIC | THIRD ANGLE PROJECTION | |
| | | 10 UNDER | ±0.2 | DRAWN BY S. AKIYAMA | DATE '02/01/21 | TITLE COMPACT ROBOT CONN. 50CKT. REC. SOCKET HS'G ASS'Y | | | |
| | | 10 OVER 30 UNDER | ±0.25 | CHECKED BY J. MIYAZAWA | DATE '02/01/21 | MOLEX INCORPORATED | | | |
| | | 30 OVER | ±0.3 | APPROVED BY Y. ITO | DATE '02/01/21 | DOCUMENT NO. SD-51238-015 | | | |
| ANGULAR ±3° DRAFT WHERE APPLICABLE MUST REMAIN WITHIN DIMENSIONS | | MATERIAL NO. SEE TABLE | | SIZE A3 | | SHEET NO. 1 OF 4 | | | |

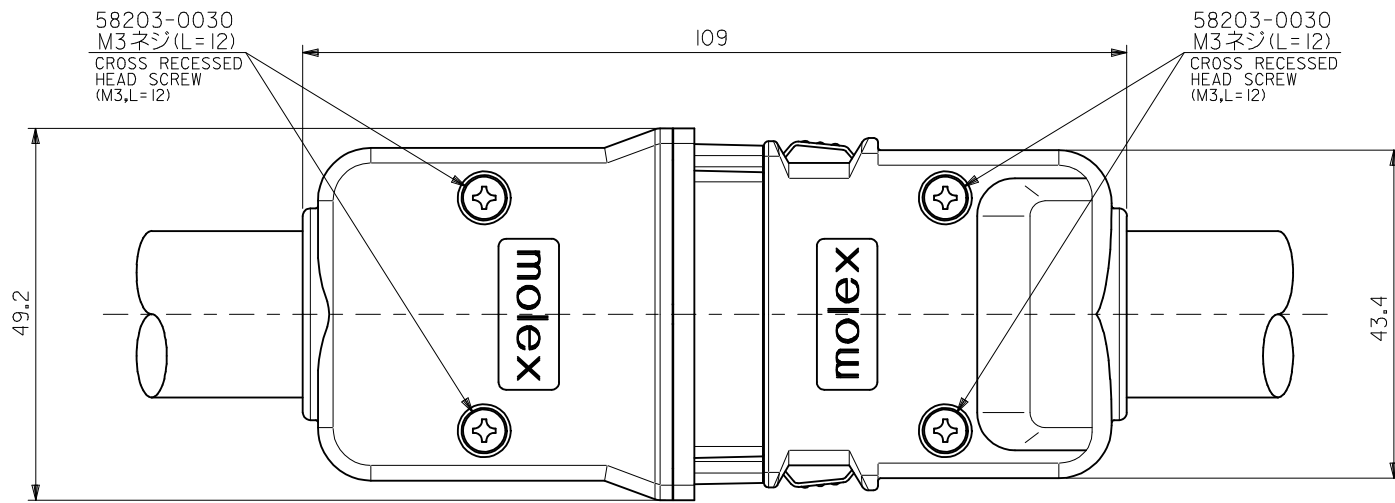
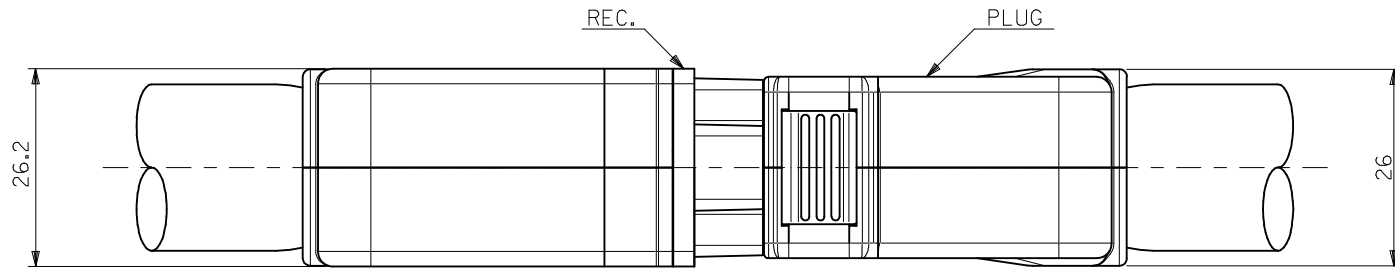


嵌合図

CROSS-SECTION VIEW OF MATED CONNECTOR

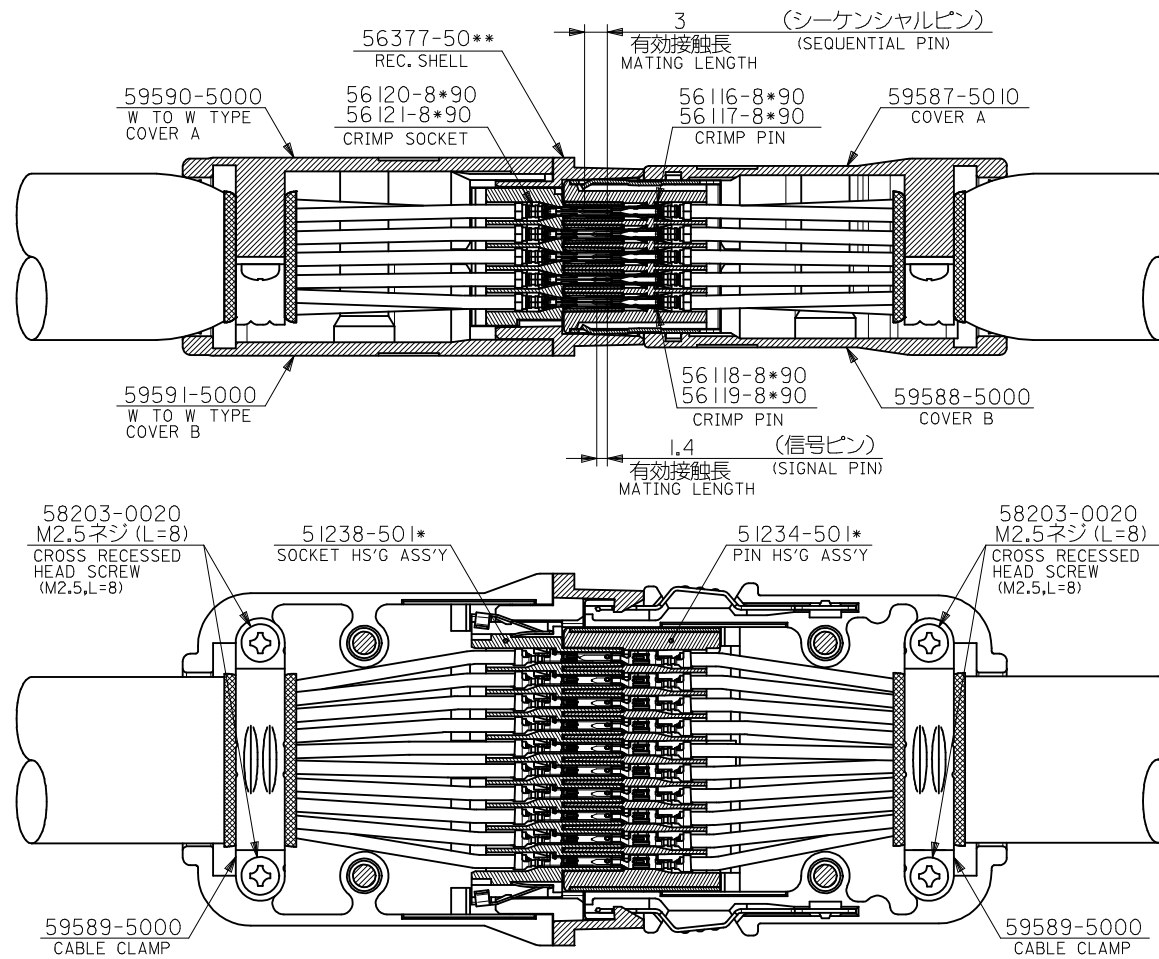
| | | | | | | | |
|--|---------------------------------------|---|----------------------------|-------------------|--|------------------------------|------------------------|
| REVISED EC NO: J2009-1234 DRWN: YOSHIDAM 2008/12/15 CHKD: THARUYAMA 2008/12/15 APPR: NUKITA 2008/12/16 | GENERAL TOLERANCES (UNLESS SPECIFIED) | | DIMENSION STYLE MM ONLY | | SCALE --- | DESIGN UNITS METRIC | THIRD ANGLE PROJECTION |
| | 10 UNDER | ±0.2 | DRAWN BY A. SHIMOTSU | DATE '02/01/29 | TITLE COMPACT ROBOT CONN. 50CKT. REC. SOCKET HS'G ASS'Y | | |
| | 10 OVER 30 UNDER | ±0.25 | CHECKED BY J. MIYAZAWA | DATE '02/01/29 | MOLEX INCORPORATED | | |
| | 30 OVER | ±0.3 | APPROVED BY Y. ITO | DATE '02/01/29 | MATERIAL NO. SEE SHEET 1 | DOCUMENT NO. SD-51238-015 | SHEET NO. 2 OF 4 |
| ANGULAR | ±3 ° | THIS DRAWING CONTAINS INFORMATION THAT IS PROPRIETARY TO MOLEX INCORPORATED AND SHOULD NOT BE USED WITHOUT WRITTEN PERMISSION | | | | | |
| DRAFT WHERE APPLICABLE MUST REMAIN WITHIN DIMENSIONS | | | | | | | |

10 9 8 7 6 5 4 3 2 1



嵌合図 (中継タイプ)
CROSS-SECTION VIEW OF MATED CONNECTOR
(WIRE TO WIRE TYPE)

| | | | | | | |
|--|--|--|----------------------------|--|--|------------------------------|
| REVISED EC NO: J2009-1234 DRWN: YOSHIDAM 2008/12/15 CHKD: THARUYAMA 2008/12/15 APPR: NUKITA 2008/12/16 | GENERAL TOLERANCES (UNLESS SPECIFIED) | | DIMENSION STYLE MM ONLY | SCALE --- | DESIGN UNITS METRIC | THIRD ANGLE PROJECTION |
| | 10 UNDER | ±0.2 | DRAWN BY S. AKIYAMA | DATE '02/01/29 | TITLE COMPACT ROBOT CONN. 50CKT. REC. SOCKET HS'G ASS'Y | |
| | 10 OVER 30 UNDER | ±0.25 | CHECKED BY J. MIYAZAWA | DATE '02/02/04 | MOLEX INCORPORATED | |
| | 30 OVER | ±0.3 | APPROVED BY Y. ITO | DATE '02/02/04 | MATERIAL NO. SEE SHEET 1 | DOCUMENT NO. SD-51238-015 |
| | ANGULAR ±3 ° | DRAFT WHERE APPLICABLE MUST REMAIN WITHIN DIMENSIONS | SIZE A3 | THIS DRAWING CONTAINS INFORMATION THAT IS PROPRIETARY TO MOLEX INCORPORATED AND SHOULD NOT BE USED WITHOUT WRITTEN PERMISSION | | |
| | | | | | SHEET NO. 3 OF 4 | |



嵌合図 (中継タイプ)
CROSS-SECTION VIEW OF MATED CONNECTOR
(WIRE TO WIRE TYPE)

| | | | | | | | | | |
|---|--------------------|--|-------|---|-------------------|--|------------------------------|------------------------|--|
| REVISED EC NO.: J2009-1234 DRWN: YOSHIDAM 2008/12/15 CHKD: THARUYAMA 2008/12/15 APPR: NUKITA 2008/12/16 | DESCRIPTION REV | GENERAL TOLERANCES (UNLESS SPECIFIED) | | DIMENSION STYLE MM ONLY | | SCALE --- | DESIGN UNITS METRIC | THIRD ANGLE PROJECTION | |
| | | 10 UNDER | ±0.2 | DRAWN BY S. AKIYAMA | DATE '02/01/29 | TITLE COMPACT ROBOT CONN. 50CKT. REC. SOCKET HS'G ASS'Y | | | |
| | | 10 OVER 30 UNDER | ±0.25 | CHECKED BY J. MIYAZAWA | DATE '02/02/04 | MOLEX INCORPORATED | | | |
| | | 30 OVER | ±0.3 | APPROVED BY Y. ITO | DATE '02/02/04 | MATERIAL NO. SEE SHEET 1 | DOCUMENT NO. SD-51238-015 | SHEET NO. 4 OF 4 | |
| | | ANGULAR | ±3 ° | THIS DRAWING CONTAINS INFORMATION THAT IS PROPRIETARY TO MOLEX INCORPORATED AND SHOULD NOT BE USED WITHOUT WRITTEN PERMISSION | | | | | |
| | | DRAFT WHERE APPLICABLE MUST REMAIN WITHIN DIMENSIONS | | | | | | | |