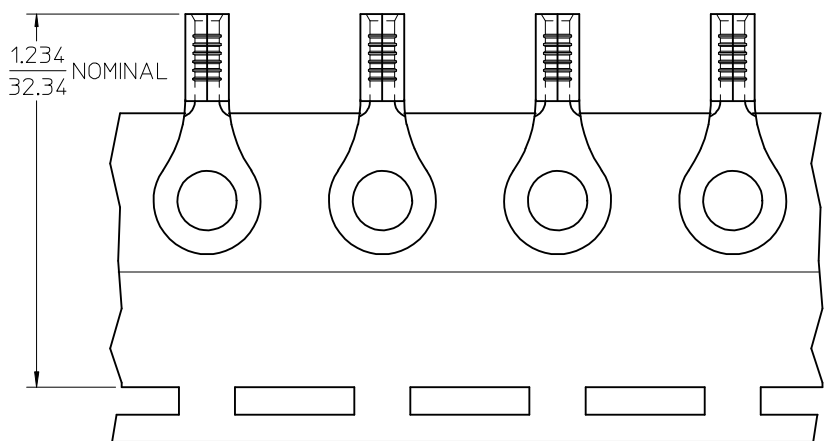
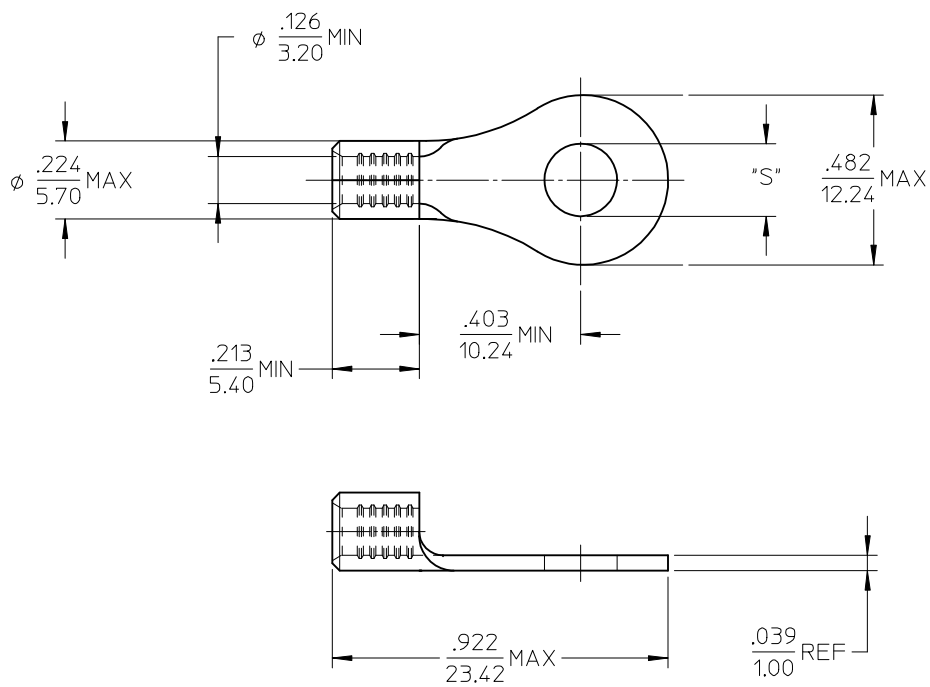


MATERIAL NO.	ENG. NO.	STUD SIZE	"S" MAX	DESCRIPTION
192030495	C-S-130-14	1/4	.259/6.58	LOOSE
192030095	C-S-130-14T	1/4	.259/6.58	TAPE



PARTS ON TAPE

NOTE(S):

- MATERIAL: STEEL
- WIRE SIZE: 12-10 AWG (4.0-6.0 MM<sup>2</sup>)
- FINISH: NICKEL PLATING
- PART IS ROHS COMPLIANT.
- AMBIENT OPERATING TEMPERATURE UP TO 900 °F (483 °C).

(B)

ADDED OPERATING TEMP EC NO: ETC2007-0297 DRN:EHILE 2007/03/13 CHKD:JMACNEIL 2007/03/13 APPR:JMACNEIL 2007/03/14	QUALITY SYMBOLS ▽=0 ▽=0	GENERAL TOLERANCES (UNLESS SPECIFIED)		DIMENSION STYLE	SCALE	DESIGN UNITS	THIRD ANGLE PROJECTION	
				IN/MM	4:1	INCH		
				DRAWN BY	DATE	TITLE		
				EHILE	2006/09/22	RING TONGUE TERMINAL, 12-10 AWG, KRIMPTITE, 900 DEG F (483 DEG C)		
		CHECKED BY	DATE	APPROVED BY		DATE	MOLEX INCORPORATED DOCUMENT NO. SD-19203-033 SHEET NO. 1 OF 1	
		JMACNEIL	2006/09/22	JMACNEIL		2006/09/22		
		1 PLACE ± --- ± ---		MATERIAL NO.		SEE CHART		
		ANGULAR ± --- °		SIZE B		THIS DRAWING CONTAINS INFORMATION THAT IS PROPRIETARY TO MOLEX INCORPORATED AND SHOULD NOT BE USED WITHOUT WRITTEN PERMISSION		
		DRAFT WHERE APPLICABLE MUST REMAIN WITHIN DIMENSIONS						