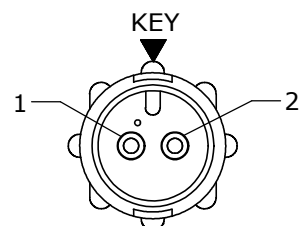


CUSTOMER PRINT

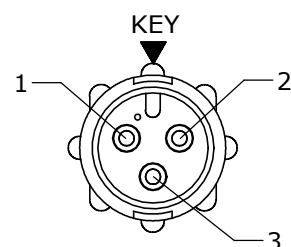
PART NUMBER: 18280-XPG-5XX

- NOTES:**
1. ALL PARTS TO BE BULK PACKED.
 2. CONTACTS TO BE SUPPLIED UNASSEMBLED.
 3. ALL DIMENSIONS ARE FOR REFERENCE ONLY.

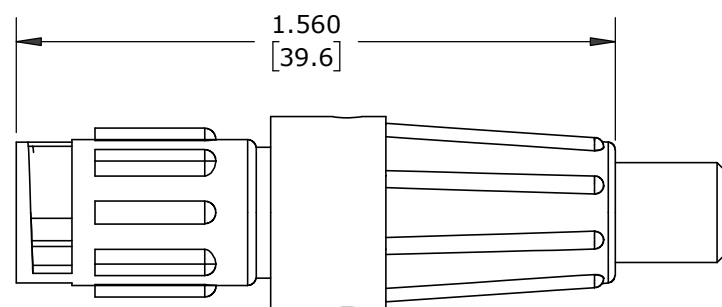
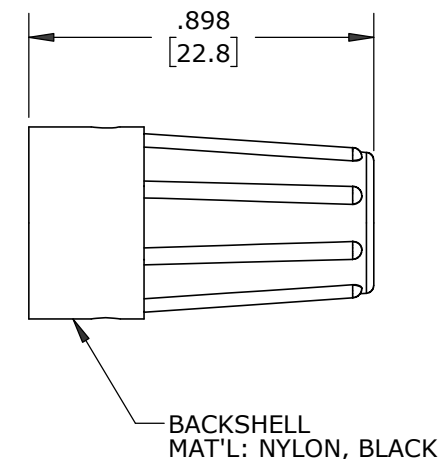
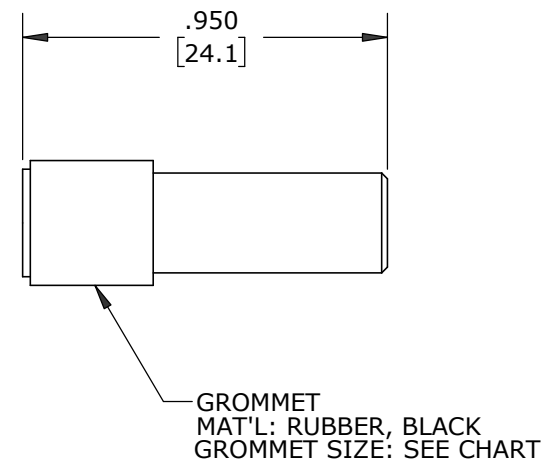
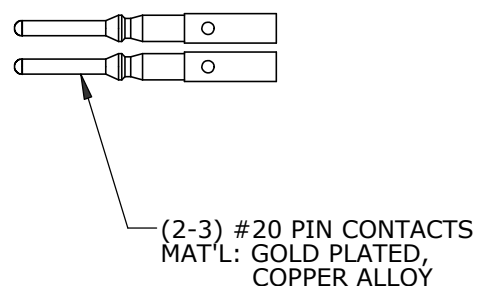
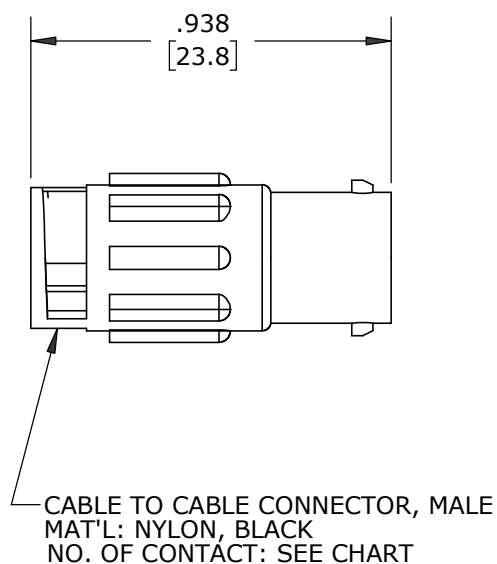
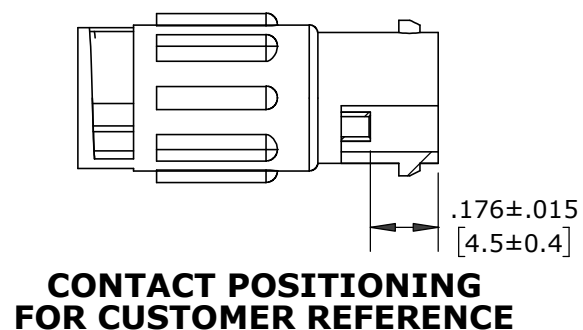
ASS'Y P/N	NO. OF CONTACT	GROMMET FOR CABLE O.D.
18280-2PG-518	2 POS.	.180 GROMMET I.D. FOR CABLE O.D. .175-.185 [4.4-4.7mm]
18280-2PG-521		.210 GROMMET I.D. FOR CABLE O.D. .205-.215 [5.2-5.5mm]
18280-2PG-522		.220 GROMMET I.D. FOR CABLE O.D. .215-.225 [5.5-5.7mm]
18280-3PG-518	3 POS.	.180 GROMMET I.D. FOR CABLE O.D. .175-.185 [4.4-4.7mm]
18280-3PG-521		.210 GROMMET I.D. FOR CABLE O.D. .205-.215 [5.2-5.5mm]
18280-3PG-522		.220 GROMMET I.D. FOR CABLE O.D. .215-.225 [5.5-5.7mm]



FACE VIEW
18280-2PG-5XX



FACE VIEW
18280-3PG-5XX



SHOWN ASSEMBLED KIT
FOR CUSTOMER REFERENCE ONLY

CUSTOMER APPROVAL

THIS DOCUMENT CONTAINS CONFIDENTIAL INFORMATION PROPRIETARY TO CONXALL CORPORATION. ANY REPRODUCTION, DISCLOSURE, OR USE OF THIS DOCUMENT / INFORMATION IS EXPRESSLY PROHIBITED UNLESS AUTHORIZED IN WRITING BY CONXALL CORPORATION.

APPROVED BY: _____

DATE: _____

RoHS COMPLIANT

DIMENSIONS IN BRACKET [] ARE METRIC.

A	SS	06-28-21	DRAWING CREATED PER DOR 15-E253SL #46
REV.	INIT.	DATE	DESCRIPTION
			ORIG. DRAWN BY: SS DATE: 06-28-21
ALL INFORMATION ILLUSTRATED IS THE PROPERTY OF CONXALL CORPORATION. UNAUTHORIZED DUPLICATION OR DISTRIBUTION OF THIS DOCUMENT IS PROHIBITED.			 601 E. WILDWOOD VILLA PARK, IL 60181
ALL UNITS ARE IN FEET, INCHES, FRACTIONS OF INCHES AND DECIMALS. UNLESS OTHERWISE SPECIFIED TOLERANCES: 3 PLACE DECIMALS ±0.010 ANGLES ±1° FRACTIONS ±1/16 ▽ - CRITICAL CHARACTERISTIC FLAG PER SPEC. XXXX			
APPROVED BY:	SCALE	SIZE	SHEET
	NTS	B	1 OF 1
FILE:	DIRECTORY:	PART NUMBER:	REV
18280-XPG-5XX	SLW	18280-XPG-5XX	A