

# Customer Information Sheet

DRAWING No.: M20-787XXXXP

SHEET 2 OF 2

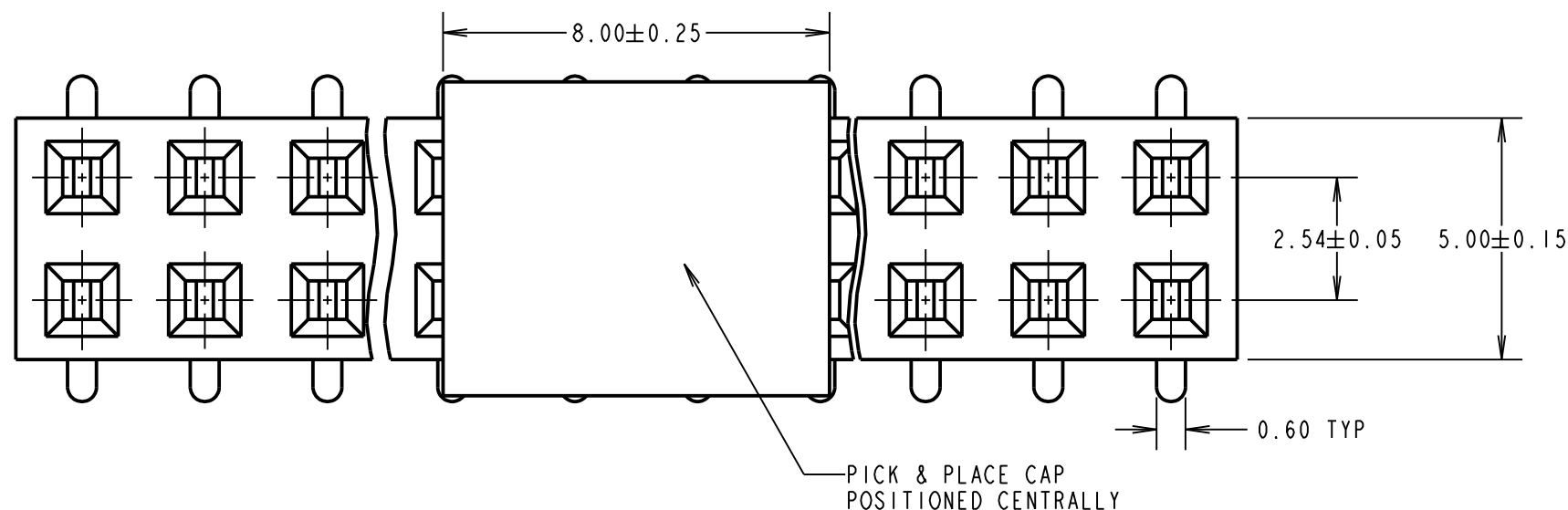
IF IN DOUBT - ASK

©

NOT TO SCALE

THIRD ANGLE PROJECTION

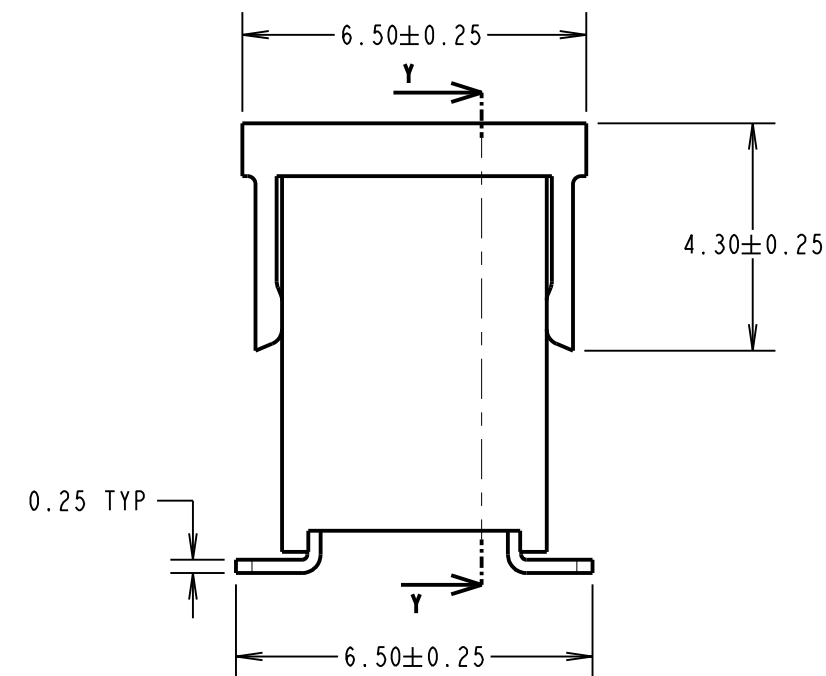
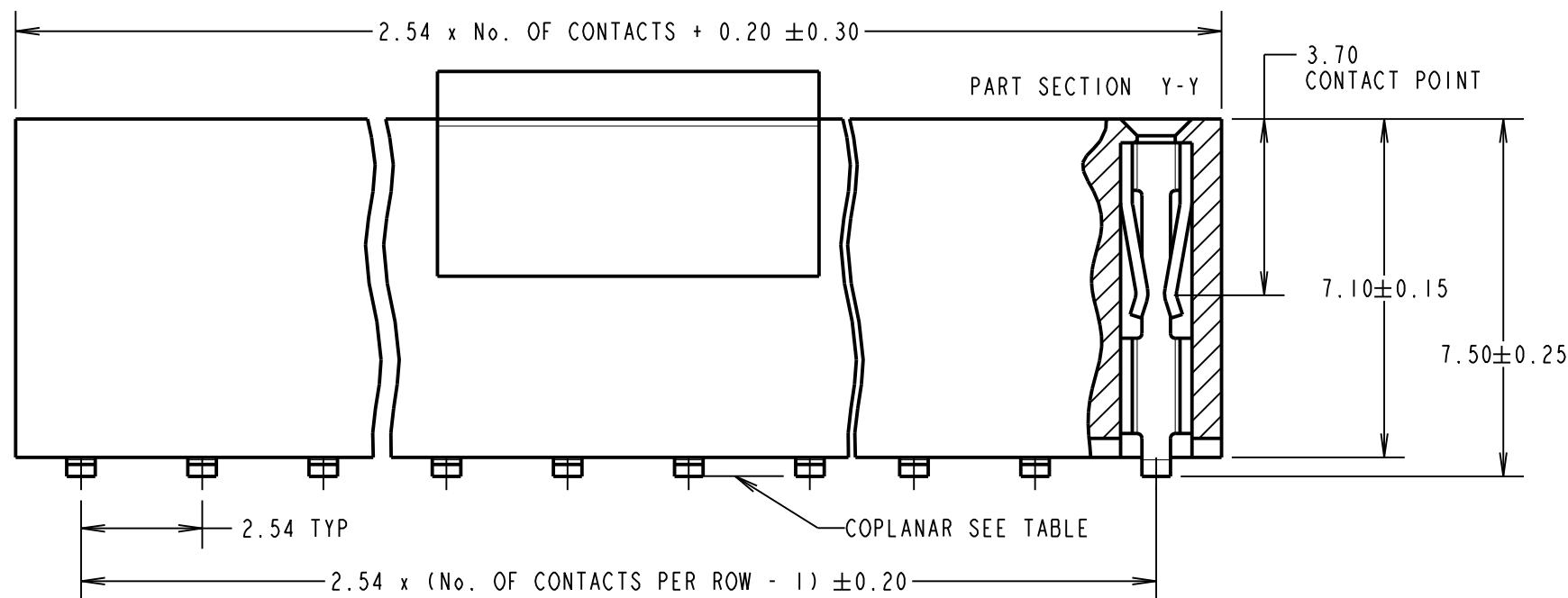
ALL DIMENSIONS IN mm



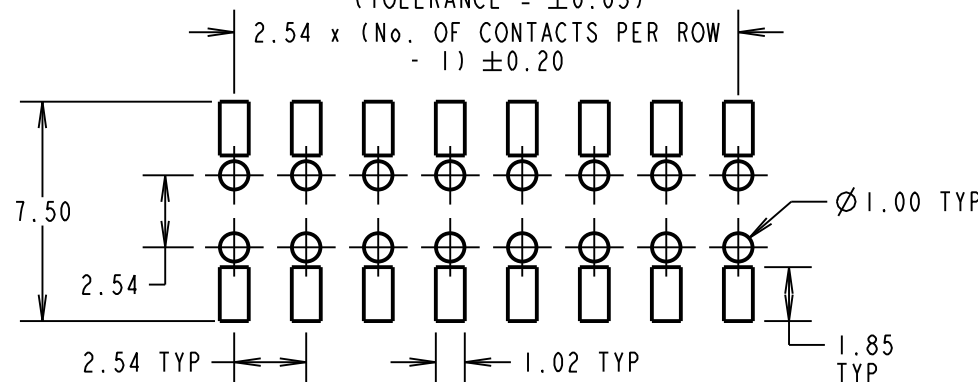
NOTES:  
1. CO-PLANARITY: FLATNESS OF SMT TAILS MUST NOT EXCEED VALUES GIVEN IN TABLE.

No OF CONTACTS	COPLANARITY TOLERANCE
2x02 TO 2x10	0.12mm MAX
2x11 TO 2x15	0.15mm MAX
2x16 TO 2x20	0.15mm MAX
2x21 TO 2x25	0.20mm MAX
2x26 TO 2x30	0.25mm MAX
2x31 TO 2x35	0.30mm MAX
2x36 TO 2x40	0.35mm MAX

**OBSOLETE**  
No. of Contacts per Row:  
21 to 40



RECOMMENDED PCB LAYOUT  
(TOLERANCE = ±0.05)



**SPECIFICATION:**  
**MATERIAL:**  
 MOULDING = NYLON 6T UL94V-0, BLACK  
 CONTACTS = PHOSPHOR BRONZE  
**FINISH (OVER NICKEL):**  
 42 = GOLD ON CONTACT AREA, 100% TIN ON TAILS  
 46 = 100% TIN  
**ELECTRICAL:**  
 CURRENT RATING = 3A  
 VOLTAGE PROOF = 600V AC FOR 1 MINUTE  
 CONTACT RESISTANCE = 20mΩ MAX  
 INSULATION RESISTANCE = 1,000MΩ MIN  
**MECHANICAL:**  
 DURABILITY = 300 CYCLES MIN  
 INSERTION FORCE = 2.0N MAX  
 WITHDRAWAL FORCE = 0.3N MIN  
**ENVIRONMENTAL:**  
 TEMPERATURE RANGE = -40°C TO +105°C  
**PACKING:**  
 TUBE

ORDER CODE:  
**M20-787XXXXP**  
 No. OF CONTACTS \_\_\_\_\_  
 02 TO 40  
**FINISH**  
 42 - SELECTIVE GOLD + 100% TIN  
 46 - 100% TIN

MSP	5	12.12.16	13421
NAME	ISS.	DATE	C/NOTE
APPROVED: M.PERREN			
CHECKED: S.BENNETT			
DRAWN: R.ADDE			
CUSTOMER REF.:			
ASSEMBLY DRG:			

**HARWIN**

www.harwin.com  
technical@harwin.com

THIS DRAWING AND ANY INFORMATION OR DESCRIPTIVE MATTER SET OUT HEREON ARE CONFIDENTIAL AND COPYRIGHT PROPERTY OF THE HARWIN GROUP AND MUST NOT BE DISCLOSED, LOANED, COPIED OR USED FOR MANUFACTURING, TENDERING OR FOR ANY OTHER PURPOSE WITHOUT THEIR WRITTEN PERMISSION.

**TOLERANCES**  
 X. = ±1mm  
 X.X = ±0.25mm  
 X.XX = ±0.10mm  
 X.XXX = ±0.01mm  
**ANGLES = ±5°**  
 UNLESS STATED

**MATERIAL:**  
 SEE ABOVE  
**FINISH:** SEE ABOVE  
**S/AREA:** mm<sup>2</sup>

**TITLE:** 2.54mm PITCH DIL VERTICAL FEMALE SMT SKT ASSY DUAL ENTRY - PICK/PLACE CAP

**DRAWING NUMBER:**  
**M20-787XXXXP**

SHT  
2 OF 2