

CGA3E2C0G1H270J080AA

TDK Item Description : CGA3E2C0G1H270JT***



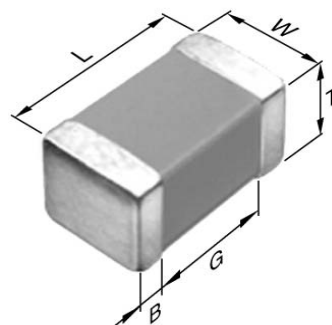
Equivalent C1608C0G1H270J for Automotive

Application & Main Feature

Automotive Grade (General (Up to 50V))

Series

CGA3(1608) [EIA CC0603]



Dimensions

L 1.60mm +/-0.1mm
W 0.80mm +/-0.1mm
T 0.80mm +/-0.1mm
B 0.20mm Min.
G 0.30mm Min.

Temperature Characteristic

C0G (-55 to 125 degC 0+/-30ppm/degC)

Rated Voltage

1H (50Vdc)

Capacitance

27pF

Capacitance Tolerance

J (+/-5%)

Q Factor

940 Min.

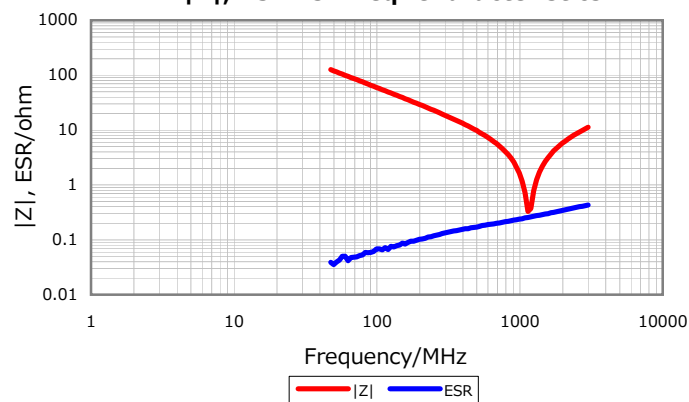
Insulation Resistance

10Gohm Min.

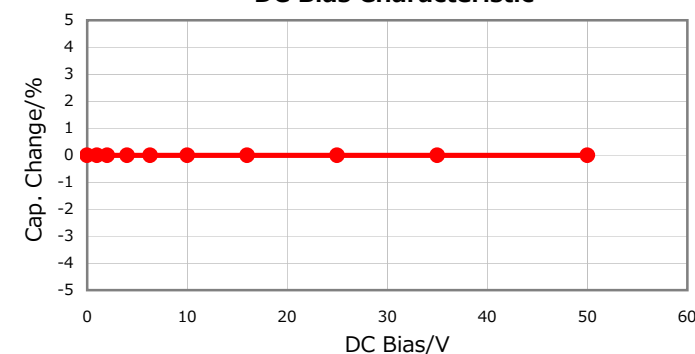
AEC-Q200

Yes

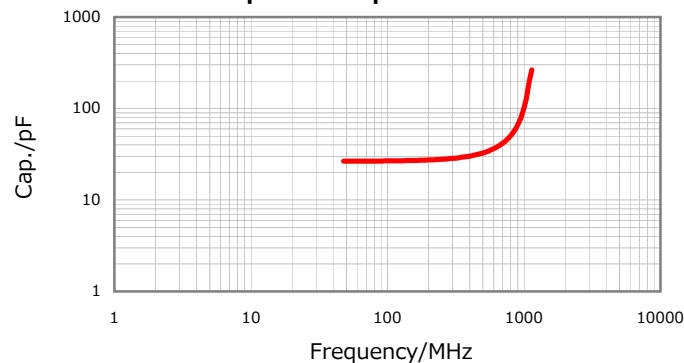
|Z|, ESR vs. Freq. Characteristics



DC Bias Characteristic



Cap. vs. Freq. Characteristic



Temperature Characteristics

