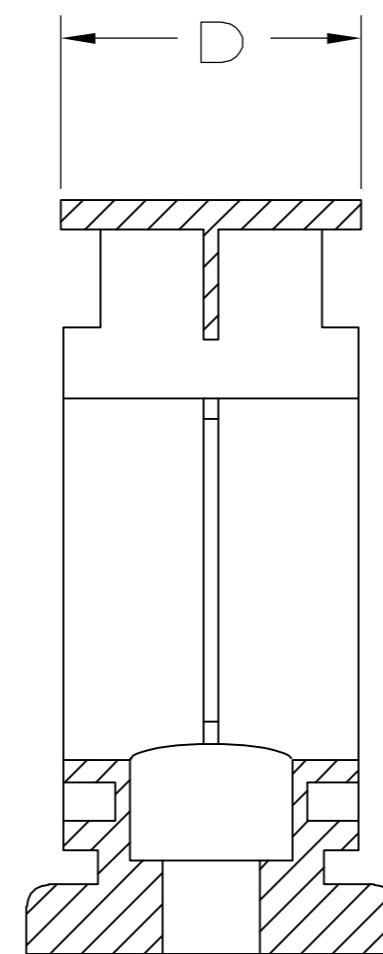
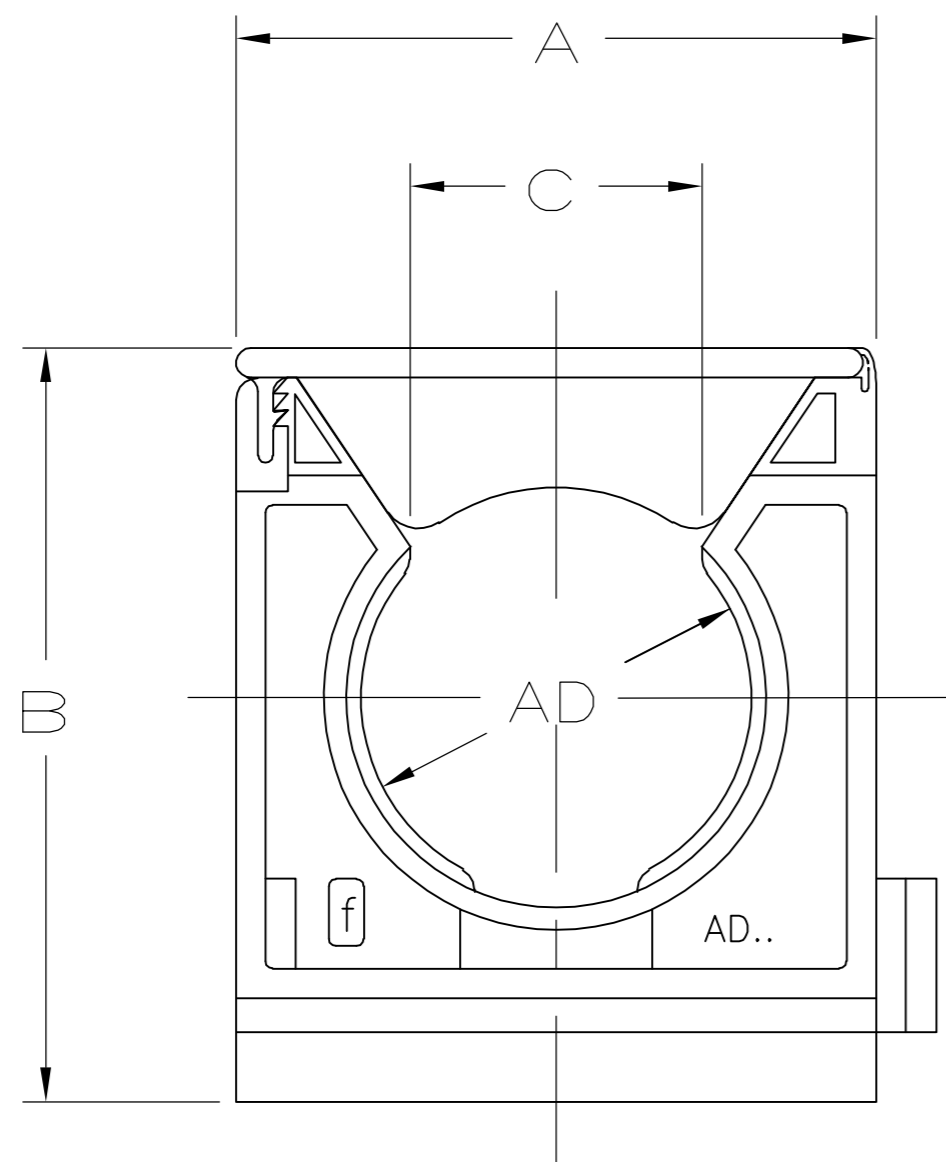


THIS DRAWING IS UNPUBLISHED. RELEASED FOR PUBLICATION
 © COPYRIGHT BY TYCO ELECTRONICS CORPORATION. ALL RIGHTS RESERVED.

LOC	DIST	REVISIONS					
FT	0	P	LTR	DESCRIPTION	DATE	DWN	APVD
		01		REVISED PER ECO-05-14185	11/18/05	SS	CR



△ Material: PA, Color: Black.

2.90	10	6.5	20	38.0	77.0	65.00	54.5	1-796369-1
3.20	25	6.5	20	30.0	77.0	65.00	42.5	1-796369-0
1.70	25	6.5	20	25.5	50.4	43.33	34.5	796369-9
1.70	25	6.5	20	20.0	50.4	43.33	28.5	796369-8
1.20	50	6.5	20	16.6	37.0	32.50	21.8	796369-7
1.20	50	6.5	20	16.6	37.0	32.50	21.2	796369-6
1.20	50	5.5	20	12.5	37.0	32.50	18.5	796369-5
1.20	50	5.5	20	12.5	37.0	32.50	17.8	796369-4
0.85	50	5.5	20	10.0	29.0	26.00	15.8	796369-3
0.93	50	5.5	20	8.5	29.0	26.00	13.0	796369-2
0.69	50	4.5	20	8.0	23.7	21.67	10.0	796369-1
Approx. Weight kg/100p	Packaging Unit	∅	D	C	B	A	AD	Part Number
		Fastening Bore Hole					Trade Size	

THIS DRAWING IS A CONTROLLED DOCUMENT.

DWN	S SCHLEGEL	18NOV2005
CHK	C RICHARD	11/18/05
APVD	C RICHARD	11/18/05

tyco Electronics Tyco Electronics Corporation
Harrisburg, PA 17105-3608

NAME: TUBING CLAMP

SIZE	CAGE CODE	DRAWING NO	RESTRICTED TO
A2	00779	C=796369	-

CUSTOMER DRAWING SCALE: NTS SHEET: 1 of 1 REV: 01