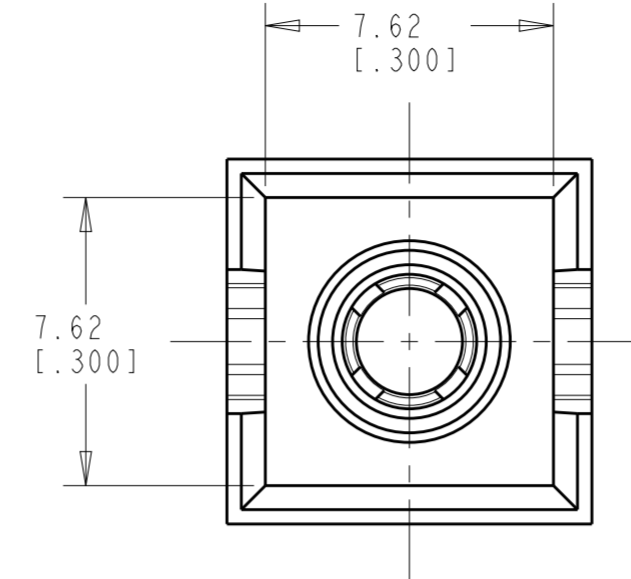
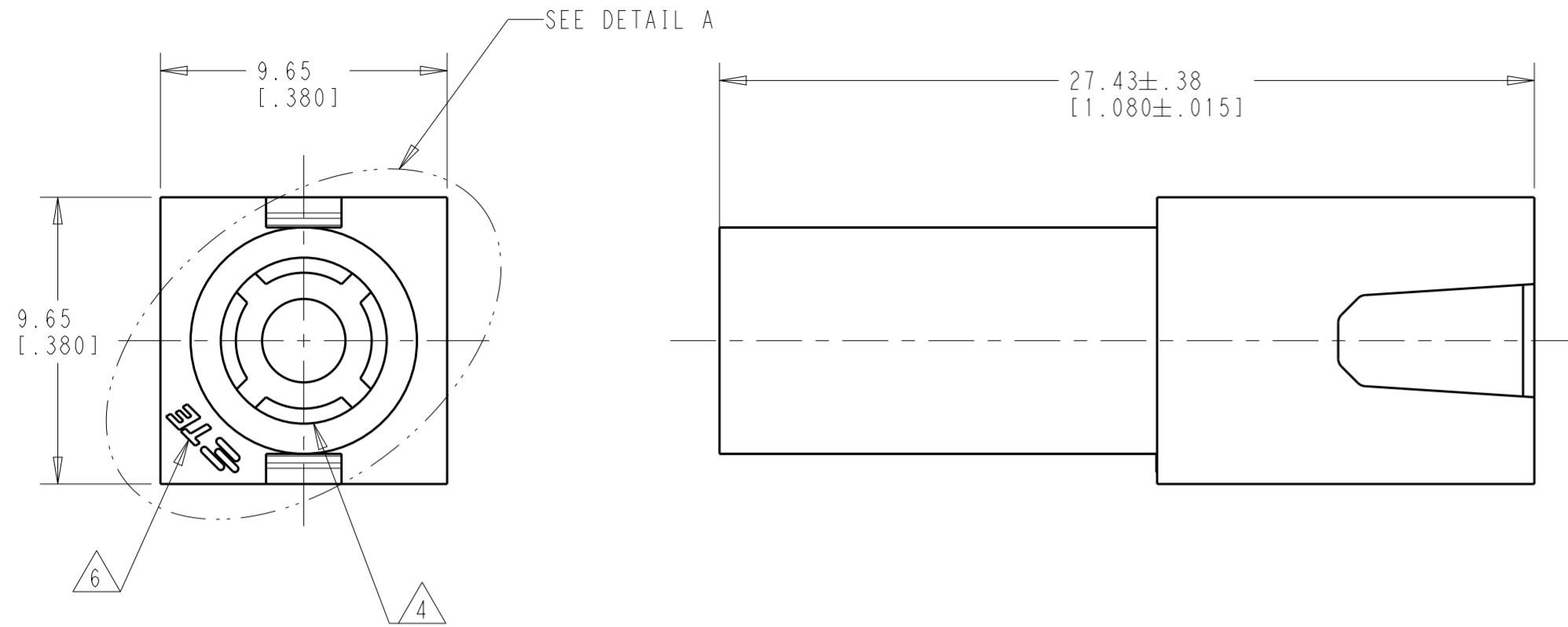
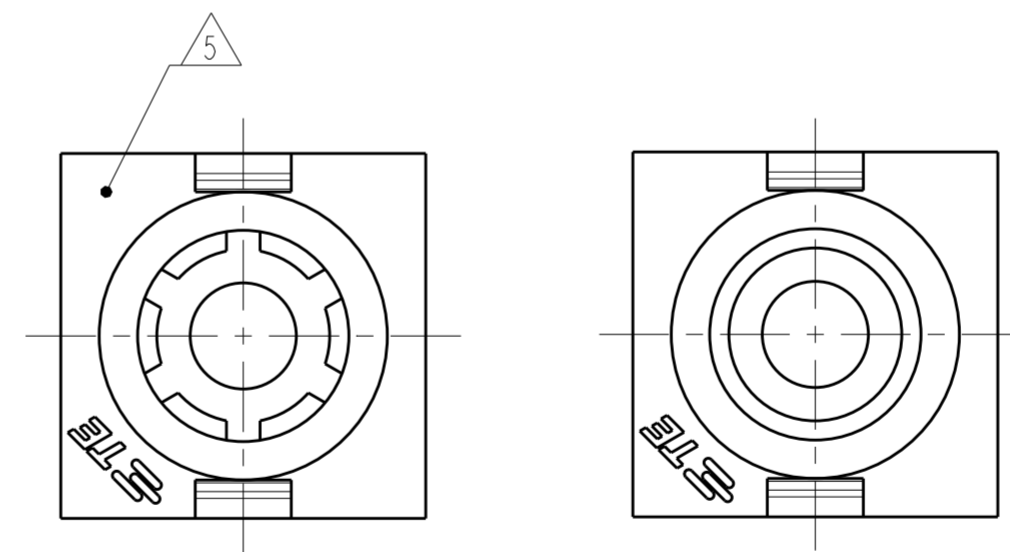
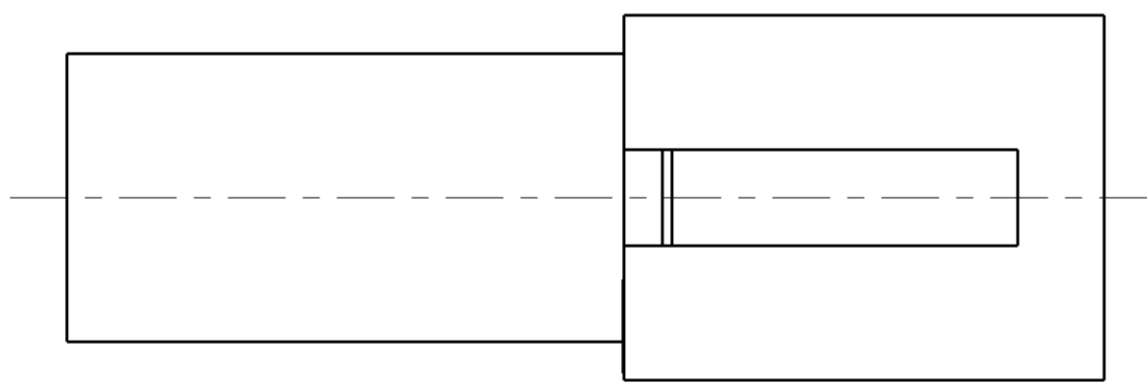


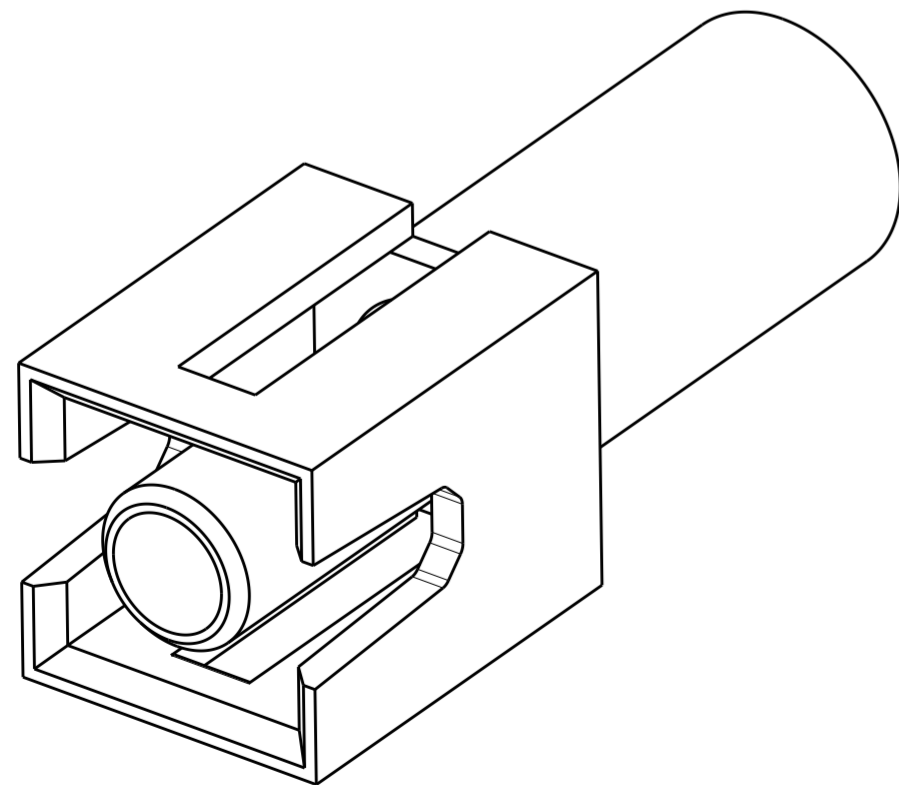
P	LTR	DESCRIPTION	DATE	DWN	APVD
J3		REDRAWN PER ECO-19-005708	07MAY2019	BKW	SF



- MATES HOUSING 350867.
- DIMENSIONS IN BRACKETS ARE IN INCHES.
- DIMENSIONS SHOWN REPRESENT PRODUCT IN DRY, AS MOLDED, CONDITION. ADDITIONAL 2% GROWTH DUE TO SUBSEQUENT MOISTURE ABSORPTION MAY OCCUR AND SHOULD BE ACCOUNTED FOR.
- FOUR RIBS EQUALLY SPACED, NO SPECIFIC ORIENTATION. NO RIBS OR SIX RIBS EQUALLY SPACED, NO SPECIFIC ORIENTATION, OPTIONAL.
- CSA CERTIFICATION LOGO LOCATED APPROXIMATELY AS SHOWN.
- TRADEMARK LOCATION: AMP OR TE



DETAIL A  
OPTIONAL CONSTRUCTIONS



NATURAL	770421-1
COLOR	PART NUMBER

THIS DRAWING IS A CONTROLLED DOCUMENT.		DWN B. WEAVER 07MAY2019	TE Connectivity	
DIMENSIONS: mm [IN]		CHK S. FERNANDES 07MAY2019		
TOLERANCES UNLESS OTHERWISE SPECIFIED:		APVD T. BENCHOFF 07MAY2019	NAME CAP, SINGLE CIRCUIT UNIVERSAL MATE-N-LOK	
0 PLC ±	1 PLC ±	PRODUCT SPEC	SIZE	RESTRICTED TO
2 PLC ±0.13 [0.005]	3 PLC ±	APPLICATION SPEC	A2	-
4 PLC ±	ANGLES ±	WEIGHT	CAGE CODE	DRAWING NO
FINISH -	FINISH -	CUSTOMER DRAWING	A200779	C-770421
		SCALE	5:1	SHEET 1 OF 1
				REV J3