

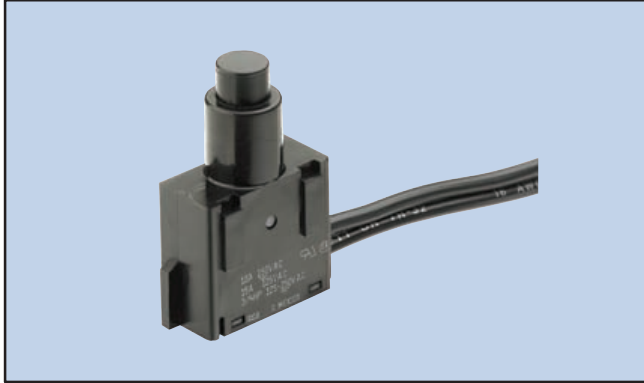
# Pushbutton Switches

## Nylon



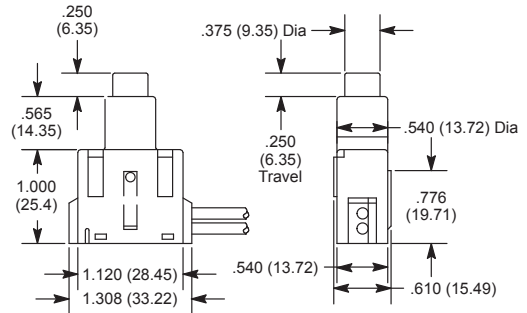
### Features

- Heavy Duty
- 6" Wire Leads
- Both Bushing & Bracket are Made of Nylon



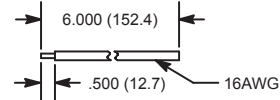
NTE Type No.	Circuitry	Action		Actuator	Diag No.
54-072	SPST	ON	OFF	Nylon	S13

### S13



#### Terminal Types

#### Integrated Wire



## Specifications

**Current Rating:** 15A 125VAC, 10A 250VAC, 3/4 HP 125-250VAC  
**Insulation Resistance:** 100 Megohms (min.)  
**Dielectric Strength:** 1000V RMS (min.)  
**Temperature Rating:** +32° to +185°F (0° to +85°C)  
**Electrical Life:** 100,000 cycles  
**Mechanical Life:** 25,000 cycles  
**Terminal Type:** Integrated Wire Type  
**Mounting Hole:** .550 (13.97)

## Heavy Duty, Metal Plunger



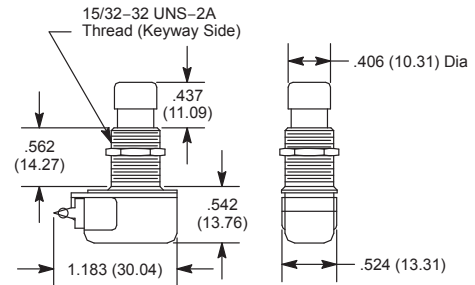
### Features

- AC/DC Rated
- Quick Make, Quick Break Contacts
- Self-Cleaning Contacts
- Suitable for Foot Switches
- Typical Actuation Force: 6-8lbs.



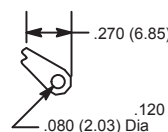
NTE Type No.	Circuitry	Action		Actuator	Diag No.
54-066	SPST	OFF	(ON)	Brass/Nickel Plate	S12a
54-067	SPST	ON	(OFF)	Brass/Nickel Plate	S12a
54-068	SPST	ON	OFF	Brass/Nickel Plate	S12b
54-069	SPST	ON	OFF	Brass/Nickel Plate	S12c

### S12

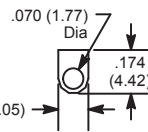


#### Terminal Types

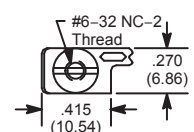
#### a: Solder Lug (End)



#### b: Solder Lug (Bottom)



#### c: Screw (Assembled)



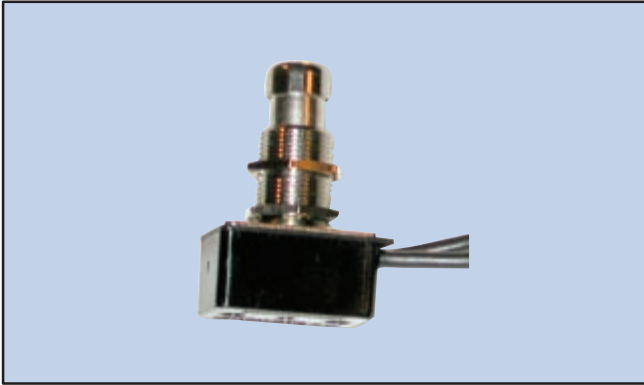
## Specifications

**Current Rating:** 6A 125VAC, 3A 250VAC, AC/DC  
**Insulation Resistance:** 100 Megohms (min.)  
**Dielectric Strength:** 1000V RMS (min.)  
**Temperature Rating:** +32° to +185°F (0° to +85°C)  
**Electrical Life:** 100,000 cycles  
**Mechanical Life:** 25,000 cycles  
**Terminal Type:** Refer to Diag No. in Table  
**Mounting Hole:** .500 (12.7)

SPECIAL NOTE: ( ) = Momentary Function

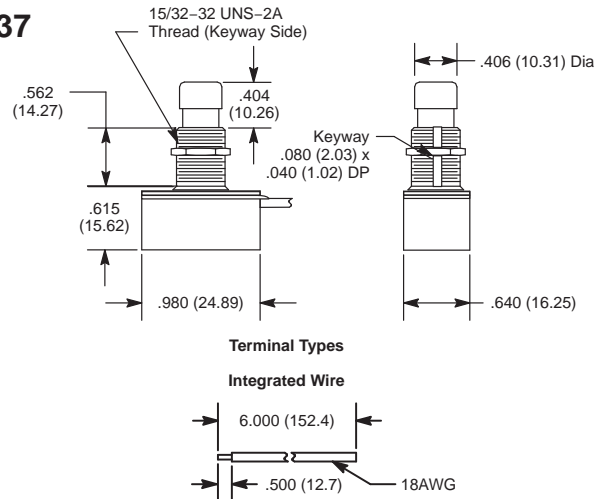
# Pushbutton Switches

## Metal Plunger, Wire Leads



NTE Type No.	Circuitry	Action		Actuator	Diag No.
54-132	SPST	ON	OFF	Metal	S37

S37



## Specifications

**Current Rating:** 10A 250VAC, 8A 125VDC, 4A 250VDC, 1/3 HP 125VAC

**Dielectric Strength:** 1000V RMS (min.)

**Temperature Rating:** +149°F (+65°C) Max

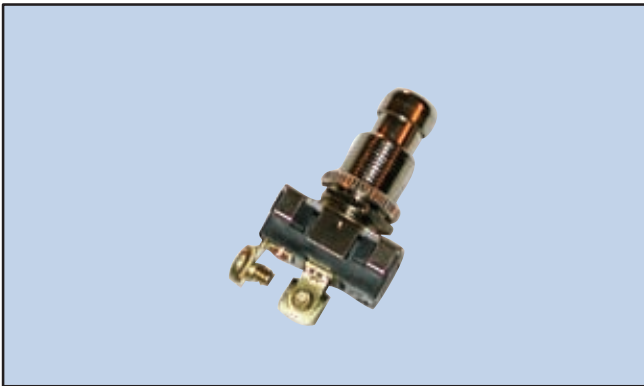
**Electrical Life:** 25,000 cycles Min

**Mechanical Life:** 100,000 cycles

**Terminal Type:** Integrated Wire

**Mounting Hole:** .500 (12.7)

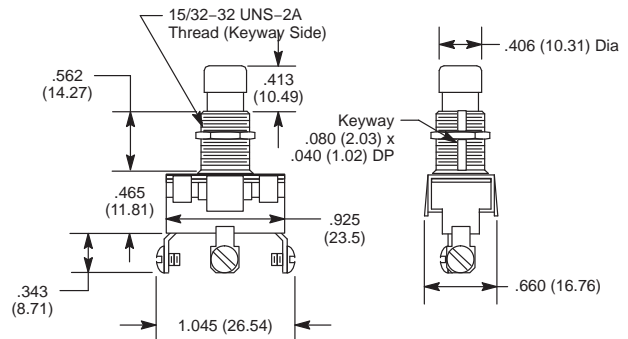
## Metal Plunger, Screw Terminals



NTE Type No.	Circuitry	Action		Actuator	Diag No.
54-133	SPST	ON	OFF	Metal	S38
54-134	SPST	OFF	(ON)	Metal	S38
54-135	SPST	ON	(OFF)	Metal	S38
54-136	SPDT	ON	ON	Metal	S38

SPECIAL NOTE: ( ) = Momentary Function

S38



## Specifications

**Current Rating:** 10A 250VAC, 15A 125VDC

**Dielectric Strength:** 1000V RMS (min.)

**Temperature Rating:** +149°F (+65°C) Max

**Electrical Life:** 15,000 cycles Min

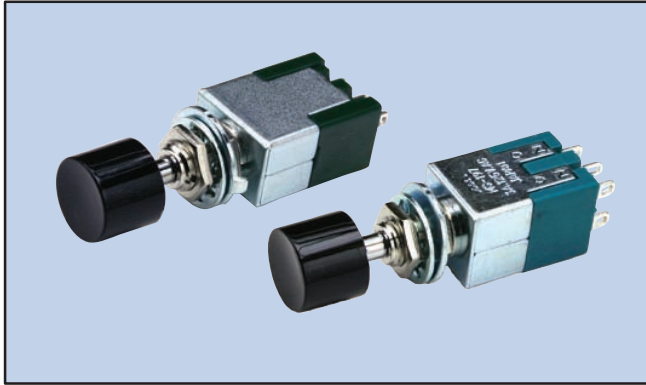
**Mechanical Life:** 40,000 cycles

**Terminal Type:** Screw Terminals

**Mounting Hole:** .500 (12.7)

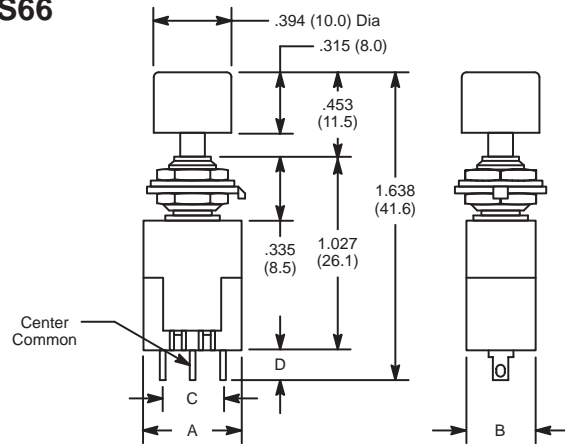
# Pushbutton Switches

## Panel Mount



NTE Type No.	Circuitry	Action		Actuator		Diag No.
				Material	Color	
54-380	SPDT	ON	ON	Polyamide	Black	S66
54-393	DPDT	ON	ON	Polyamide	Black	S66

S66



NTE Type	A	B	C	D
54-380	.512 (13.0)	.362 (9.2)	.331 (8.4)	.157 (4.0)
54-393	.453 (11.5)	.433 (11.0)	.307 (7.8)	.177 (4.5)

## Specifications

**Current Rating:** 3A 125VAC  
**Insulation Resistance:** 100 Megohms (min.)  
**Dielectric Strength:** 1000V RMS (min.)  
**Temperature Rating:** +14° to +131°F (-10° to +55°C)  
**Electrical Life:** 10,000 cycles  
**Mechanical Life:** 30,000 cycles  
**Terminal Type:** Solder Lug  
**Mounting Hole:** .244 (6.2)

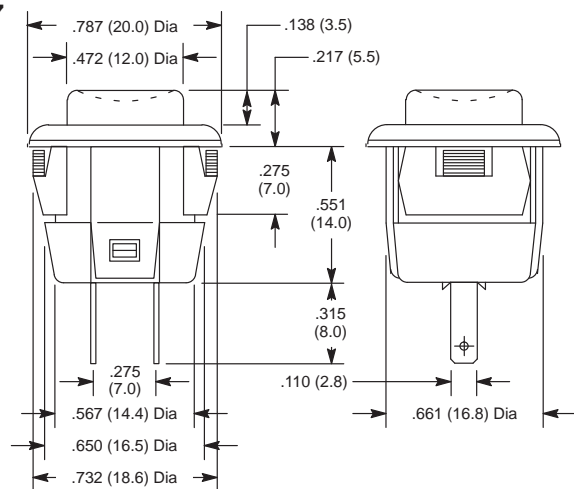
## Snap-In, Round



NTE Type No.	Circuitry	Action		Actuator		Diag No.
				Material	Color	
54-385	SPST	OFF	(ON)	Molded ABS Resin	Red	S67
54-385A	SPST	OFF	ON	Molded ABS Resin	Red	S67

SPECIAL NOTE: ( ) = Momentary Function

S67



## Specifications

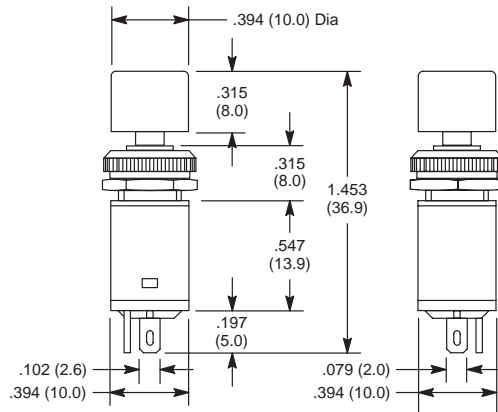
**Current Rating:** 3A 125VAC  
**Insulation Resistance:** 100 Megohms (min.) at 500VDC  
**Dielectric Strength:** 1000V RMS (min.)  
**Temperature Rating:** +14° to +131°F (-10° to +55°C)  
**Electrical Life:** 5,000 cycles  
**Mechanical Life:** 30,000 cycles  
**Terminal Type:** Solder Lug  
**Mounting Hole:** .700 (17.8)

# Pushbutton Switches

## Panel Mount



S70



NTE Type No.	Circuitry	Action		Actuator		Diag No.
				Material	Color	
54-382	SPST	OFF	ON	Molded Polyacetal Resin	Black	S70
54-383	SPDT	ON	ON	Molded Polyacetal Resin	Black	S70
54-384	SPST	OFF	(ON)	Molded Polyacetal Resin	Black	S70

SPECIAL NOTE: ( ) = Momentary Function

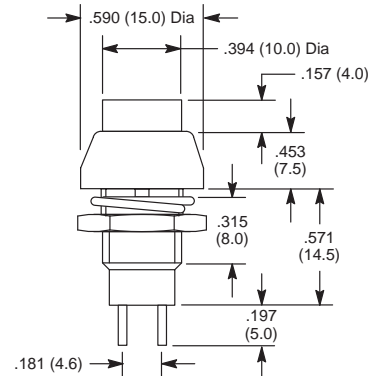
## Specifications

**Current Rating:** 3A 125VAC  
**Insulation Resistance:** 100 Megohms (min.) at 500VDC  
**Dielectric Strength:** 1000V RMS (min.)  
**Temperature Rating:** +14° to +131°F (-10° to +55°C)  
**Electrical Life:** 10,000 cycles; 5,000 cycles (54-384 Only)  
**Mechanical Life:** 30,000 cycles  
**Terminal Type:** Solder Lug  
**Mounting Hole:** .323 (8.2)

## Panel Mount, Round



S72



NTE Type No.	Circuitry	Action		Actuator		Diag No.
				Material	Color	
54-388	SPST	OFF	(ON)	ABS Resin	Black	S72

SPECIAL NOTE: ( ) = Momentary Function

## Specifications

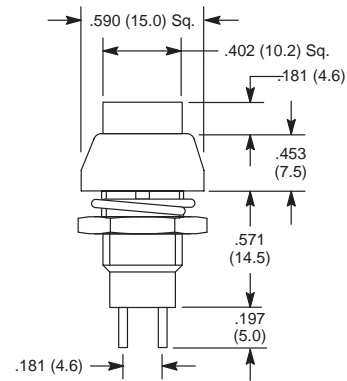
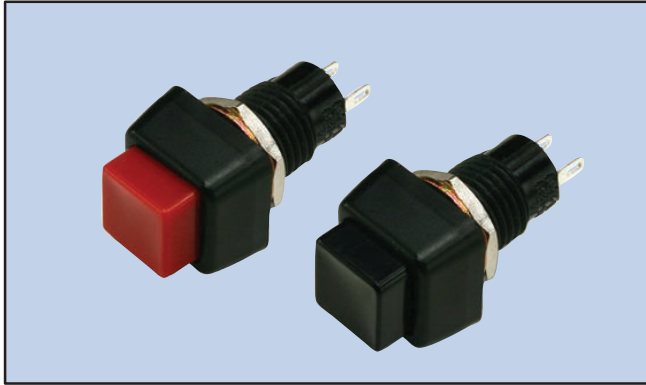
**Current Rating:** 3A 125VAC, 1A 250VAC  
**Insulation Resistance:** 100 Megohms (min.) at 500VDC  
**Dielectric Strength:** 1500V RMS (min.)  
**Temperature Rating:** +14° to +131°F (-10° to +55°C)  
**Electrical Life:** 50,000 cycles  
**Mechanical Life:** 100,000 cycles  
**Terminal Type:** Solder Lug  
**Mounting Hole:** .402 (10.2)

# Pushbutton Switches

## Panel Mount, Square



S73



NTE Type No.	Circuitry	Action		Actuator		Diag No.
				Material	Color	
54-389	SPST	OFF	(ON)	ABS Resin	Black	S73
54-390-2	SPST	OFF	ON	ABS Resin	Black	S73
54-391-2	SPST	OFF	ON	ABS Resin	Red	S73

SPECIAL NOTE: ( ) = Momentary Function

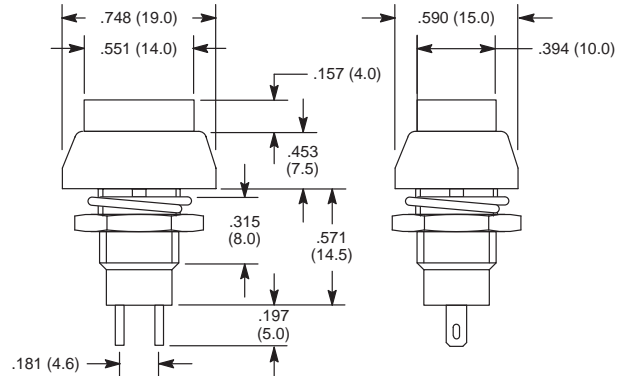
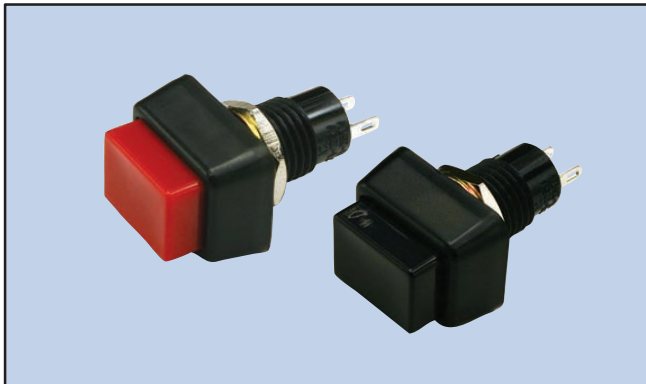
## Specifications

**Current Rating:** 3A 125VAC, 1A 250VAC  
**Insulation Resistance:** 100 Megohms (min.) at 500VDC  
**Dielectric Strength:** 1500V RMS (min.)  
**Temperature Rating:** +14° to +131°F (-10° to +55°C)  
**Electrical Life:** 50,000 cycles  
**Mechanical Life:** 100,000 cycles  
**Terminal Type:** Solder Lug  
**Mounting Hole:** .402 (10.2)

## Panel Mount, Rectangular



S74



NTE Type No.	Circuitry	Action		Actuator		Diag No.
				Material	Color	
54-390	SPST	OFF	(ON)	ABS Resin	Black	S74
54-391	SPST	OFF	(ON)	ABS Resin	Red	S74

SPECIAL NOTE: ( ) = Momentary Function

## Specifications

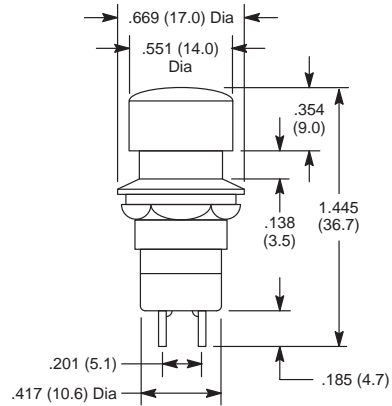
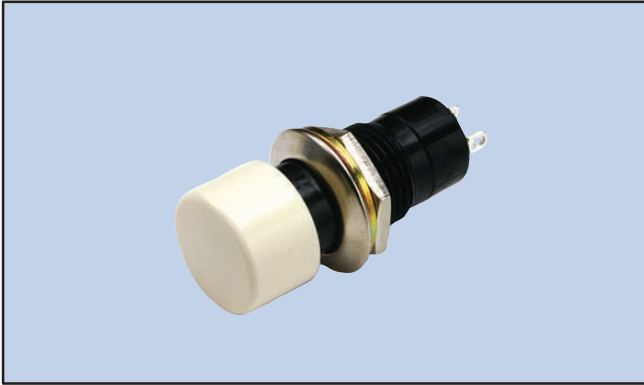
**Current Rating:** 3A 125VAC, 1A 250VAC  
**Insulation Resistance:** 100 Megohms (min.) at 500VDC  
**Dielectric Strength:** 1500V RMS (min.)  
**Temperature Rating:** +14° to +131°F (-10° to +55°C)  
**Electrical Life:** 50,000 cycles  
**Mechanical Life:** 100,000 cycles  
**Terminal Type:** Solder Lug  
**Mounting Hole:** .402 (10.2)

# Pushbutton Switches

## Panel Mount, Round



S75



NTE Type No.	Circuitry	Action		Actuator		Diag No.
				Material	Color	
54-392	SPST	OFF	ON	ABS Resin	White	S75

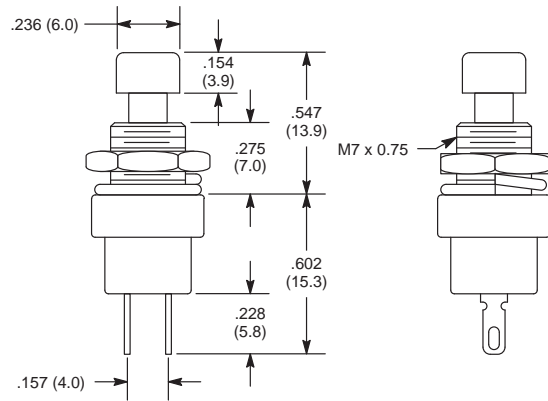
## Specifications

**Current Rating:** 3A 250VAC  
**Insulation Resistance:** 100 Megohms (min.)  
**Dielectric Strength:** 1500V RMS (min.)  
**Temperature Rating:** +14° to +131°F (-10° to +55°C)  
**Electrical Life:** 10,000 cycles  
**Mechanical Life:** 30,000 cycles  
**Terminal Type:** Solder Lug  
**Mounting Hole:** .480 (12.2)

## Panel Mount, Screw Type



S88



NTE Type No.	Circuitry	Action		Actuator		Diag No.
				Material	Color	
54-394	SPST	OFF	(ON)	Nylon	Red	S88

SPECIAL NOTE: ( ) = Momentary Function

## Specifications

**Current Rating:** 3A 125VAC, 1.5A 250VAC  
**Insulation Resistance:** 100 Megohms (min.) at 500VDC  
**Dielectric Strength:** 1000V RMS (min.)  
**Temperature Rating:** -4° to +149°F (-20° to +65°C)  
**Electrical Life:** 6000 cycles (min.)  
**Mechanical Life:** 100,000 cycles (min.)  
**Terminal Type:** Solder Lug  
**Mounting Hole:** .275 (7.0)

# Pushbutton Switches

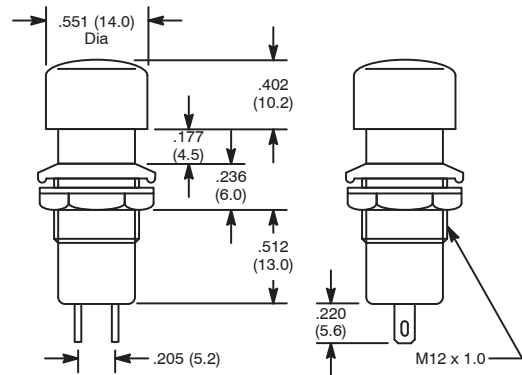
## Metal Bezel, Screw Type



NTE Type No.	Circuitry	Action		Actuator		Diag No.
				Material	Color	
54-556	SPST	OFF	(ON)	ABS Resin	Red	S25
54-556-2	SPST	OFF	ON	ABS Resin	Red	S25
54-557	SPST	OFF	(ON)	ABS Resin	Yellow	S25
54-558	SPST	OFF	(ON)	ABS Resin	Black	S25

SPECIAL NOTE: ( ) = Momentary Function

### S25



## Specifications

**Current Rating:** 3A 125VAC, 1.5A 250VAC  
**Insulation Resistance:** 100 Megohms (min.) at 500VDC  
**Dielectric Strength:** 1000V RMS (min.)  
**Temperature Rating:** -4° to +149°F (-20° to +65°C)  
**Electrical Life:** 6000 cycles (min.)  
**Mechanical Life:** 100,000 cycles (min.)  
**Terminal Type:** Solder Lug  
**Mounting Hole:** .480 (12.2)

## Panel Mount, Square Bezel

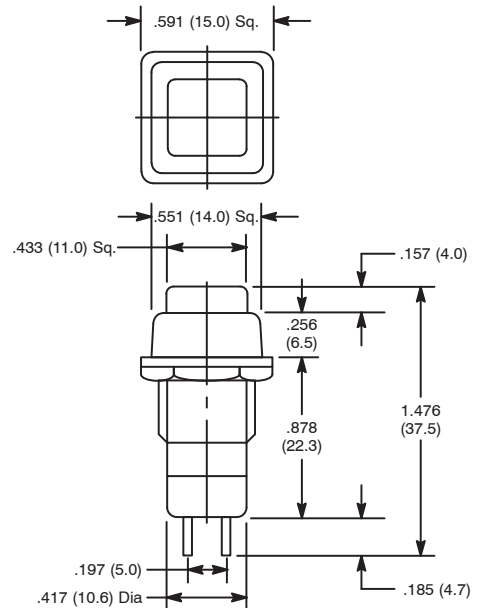


NTE Type No.	Circuitry	Action		Actuator		Diag No.
				Material	Color	
54-125	SPST	OFF	(ON)	Poly Oxy Methylene	Red	S109
54-125-2	SPST	OFF	ON	Poly Oxy Methylene	Red	S109

NEW

SPECIAL NOTE: ( ) = Momentary Function

### S109



## Specifications

**Current Rating:** 3A 250VAC  
**Insulation Resistance:** 100 Megohms (min.) at 500VDC  
**Dielectric Strength:** 1500V RMS (min.)  
 1000V RMS (min.) **54-125-2**  
**Temperature Rating:** +14° to +131°F (-10° to +55°C)  
 +32° to +149°F (0° to +65°C) **54-125-2**  
**Electrical Life:** 5,000 cycles; 6,000 cycles (**54-125-2**)  
**Mechanical Life:** 30,000 cycles; 10,000 cycles (**54-125-2**)  
**Terminal Type:** Solder lug  
**Mounting Hole:** .484 (12.3)

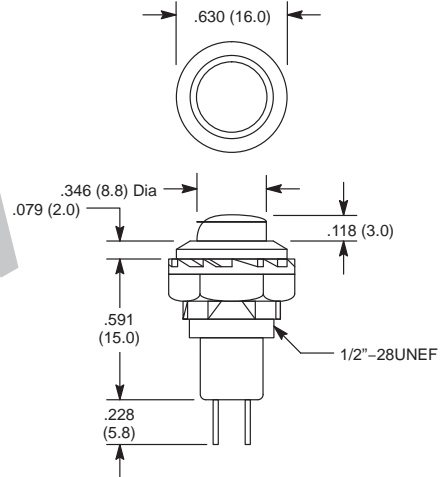


# Pushbutton Switches

## Panel Mount, Round



S124



NTE Type No.	Circuitry	Action		Actuator		Diag No.
				Material	Color	
54-700-R	SPST	OFF	(ON)	Plastic	Red	S124
54-700-B	SPST	OFF	(ON)	Plastic	Black	S124

SPECIAL NOTE: ( ) = Momentary Function

## Specifications

**Current Rating:** 3A 125VAC; 1.5A 250VAC  
**Insulation Resistance:** 100 Megohms (min.) at 500VDC  
**Dielectric Strength:** 1000V RMS (min.), 1 minute  
**Temperature Rating:** -13° to +185°F (-25° to +85°C)  
**Electrical Life:** 6000 cycles  
**Mechanical Life:** 100,000 cycles  
**Terminal Type:** Solder Lug  
**Mounting Hole:** .500 (12.7)

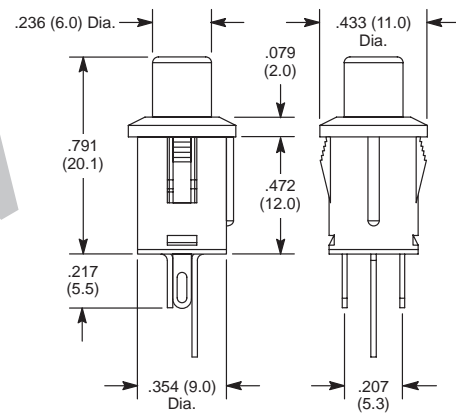
## Snap-In, Round

### Features

- Snap-In Mounting, Easy to Install into Panel



S127



NTE Type No.	Circuitry	Action		Actuator		Diag No.
				Material	Color	
54-747-1	SPST	OFF	(ON)	PC	Red	S127

SPECIAL NOTE: ( ) = Momentary Function

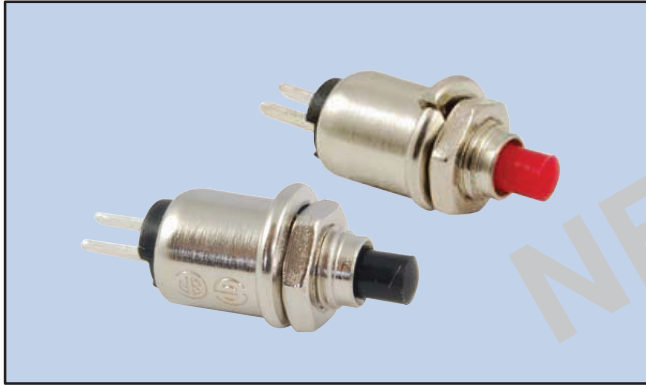
## Specifications

**Current Rating:** 1A 125VAC; 0.5A 250VAC  
**Insulation Resistance:** 100 Megohms (min.) at 500VDC  
**Dielectric Strength:** 1000VAC, 1 minute  
**Temperature Rating:** -4° to +185°F (-20° to +85°C)  
**Electrical Life:** 6000 cycles  
**Mechanical Life:** 100,000 cycles  
**Terminal Type:** Solder Lug  
**Mounting Hole:** .366 (9.3)



# Pushbutton Switches

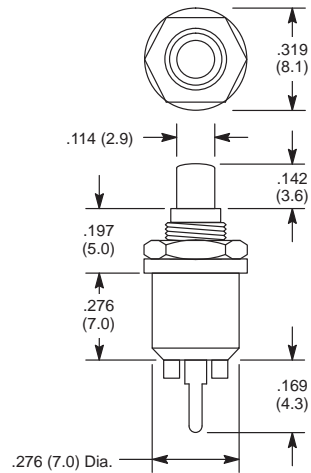
## Round Hole, Metal Frame



NTE Type No.	Circuitry	Action		Actuator		Diag No.
				Material	Color	
54-735-R	SPST	OFF	(ON)	Polyoxymethylene	Red	S130
54-735-B	SPST	OFF	(ON)	Polyoxymethylene	Black	S130

SPECIAL NOTE: ( ) = Momentary Function

S130



### Specifications

**Current Rating:** 0.5A 125VAC  
**Insulation Resistance:** 100 Megohms (min.) at 500VDC  
**Dielectric Strength:** 1500VAC, 1 minute  
**Temperature Rating:** -4° to +149°F (-20° to +65°C)  
**Electrical Life:** 6000 cycles  
**Mechanical Life:** 10000 cycles  
**Terminal Type:** PC Mount  
**Mounting Hole:** .205 (5.2)

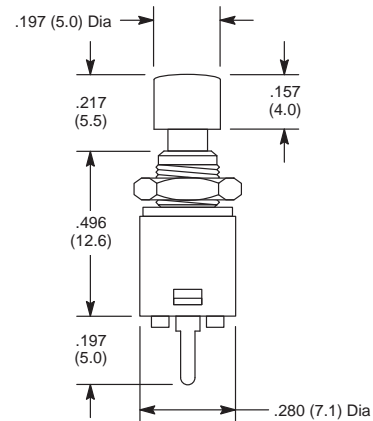
## Panel Mount, Screw Type



NTE Type No.	Circuitry	Action		Actuator		Diag No.
				Material	Color	
54-744	SPST	OFF	(ON)	ABS	Red	S131

SPECIAL NOTE: ( ) = Momentary Function

S131



### Specifications

**Current Rating:** 1A 125VAC; 1A 250VAC  
**Insulation Resistance:** 100 Megohms (min.) at 500VDC  
**Dielectric Strength:** 1000VAC, 1 minute  
**Temperature Rating:** -4° to +149°F (-20° to +65°C)  
**Electrical Life:** 6000 cycles  
**Mechanical Life:** 10000 cycles  
**Terminal Type:** PC Mount  
**Mounting Hole:** .205 (5.2)

# Pushbutton Switches

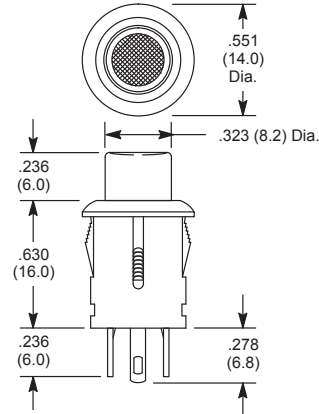
## Nylon Snap-In



S125

### Features

- Snap-In Mounting, Easy to Install into Panel



NTE Type No.	Circuitry	Action		Actuator		Diag No.
				Material	Color	
54-746	SPST	OFF	(ON)	PC	Red	S125

SPECIAL NOTE: ( ) = Momentary Function

## Specifications

**Current Rating:** 3A 125VAC; 1.5A 250VAC  
**Insulation Resistance:** 100 Megohms (min.) at 500VDC  
**Dielectric Strength:** 1500VAC RMS (min.), 1 minute  
**Temperature Rating:** +32° to +149°F (+0° to +65°C)  
**Electrical Life:** 6000 cycles  
**Mechanical Life:** 10000 cycles  
**Terminal Type:** Solder Lug  
**Mounting Hole:** .476 (12.1)

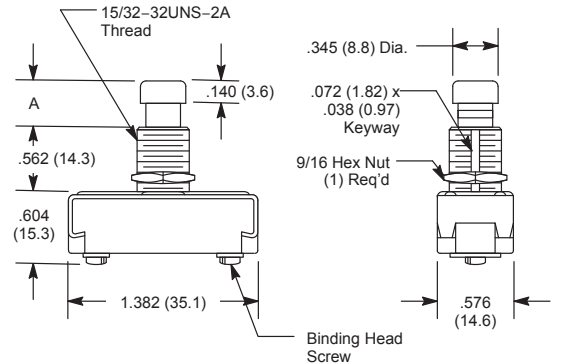
## Heavy Duty, Screw Terminals



S120

### Features

- Momentary Action
- Slow Make, Slow Break Contacts



Device Type	A
ON (OFF)	.240 (6.1)
OFF (ON)	.320 (8.1)

NTE Type No.	Circuitry	Action		Actuator	Diag No.
54-650	SPST	ON	(OFF)	Brass/Nickel Plate	S120
54-651	SPST	OFF	(ON)	Brass/Nickel Plate	S120

SPECIAL NOTE: ( ) = Momentary Function

## Specifications

**Current Rating:** 10A 250VAC, 15A 125VAC  
**Insulation Resistance:** 100 Megohms (min.)  
**Dielectric Strength:** 1000V RMS (min.)  
**Temperature Rating:** +32° to +185°F (+0° to +85°C)  
**Electrical Life:** 25,000 cycles  
**Mechanical Life:** 100,000 cycles  
**Terminal Type:** Screw Terminals  
**Mounting Hole:** .500 (12.7)

# Pushbutton Switches

## Starter Button, Heavy Duty

S87

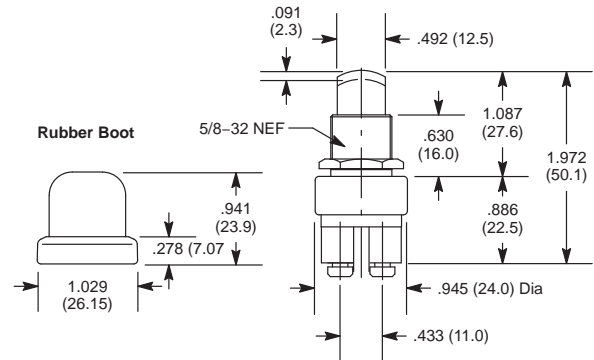
### Features

- Heavy Duty Die Cast Construction
- Rubber Dust and Moisture Resistant Boot Nut Included
- Starter Button Applications



NTE Type No.	Circuitry	Action		Actuator		Diag No.
				Material	Color	
54-576	SPST	OFF	(ON)	Nylon 66	Black	S87

SPECIAL NOTE: ( ) = Momentary Function



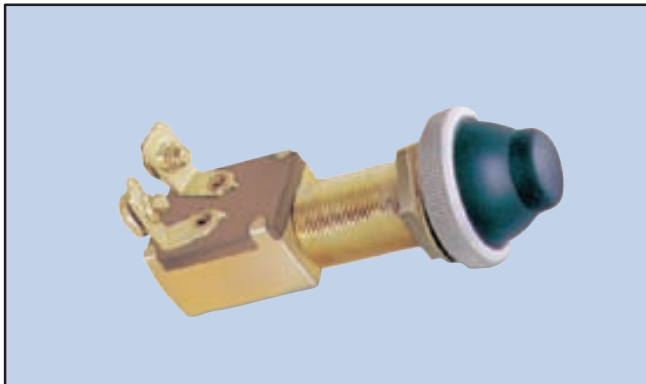
### Specifications

**Current Rating:** 25A 6VDC, 50A 12VDC  
**Insulation Resistance:** 100 Megohms (min.) at 500VDC  
**Dielectric Strength:** 1500V RMS (min.)  
**Temperature Rating:** +0° to +150°F (-18° to +65°C)  
**Electrical Life:** 25,000 cycles  
**Mechanical Life:** 100,000 cycles  
**Terminal Type:** Screw Terminals  
**Mounting Hole:** .630 (16.0)

## Starter & Horn Button, Single Pole

### Features

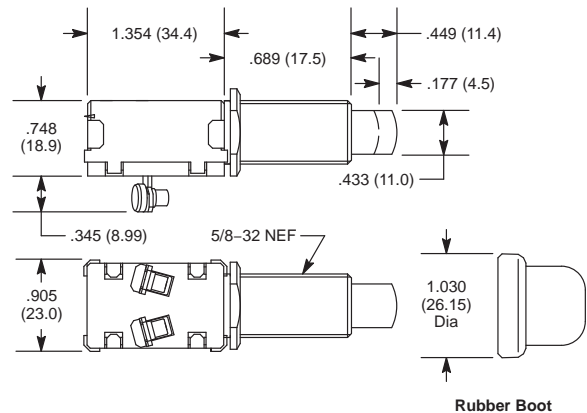
- Moisture Proof and Dust Proof Rubber Cap
- Starter and Horn Switch Applications



NTE Type No.	Circuitry	Action		Actuator		Diag No.
				Material	Color	
54-577	SPST	OFF	(ON)	Nickel Plated Copper	Black	S91

SPECIAL NOTE: ( ) = Momentary Function

S91



### Specifications

**Current Rating:** 25A 6VDC, 15A 12VDC  
**Insulation Resistance:** 100 Megohms (min.) at 500VDC  
**Dielectric Strength:** 1500V RMS (min.)  
**Temperature Rating:** +0° to +150°F (-18° to +65°C)  
**Electrical Life:** 25,000 cycles  
**Mechanical Life:** 1000,000 cycles  
**Terminal Type:** Screw Terminals  
**Mounting Hole:** .630 (16.0)

# Pushbutton Switches

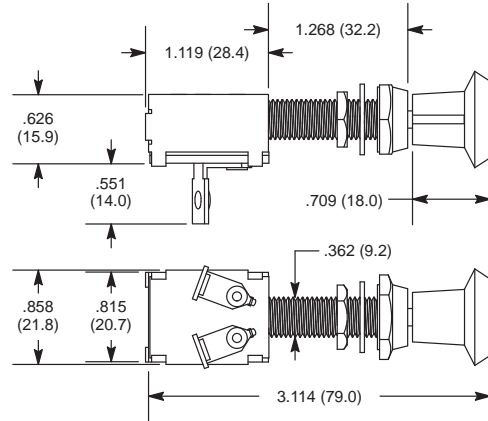
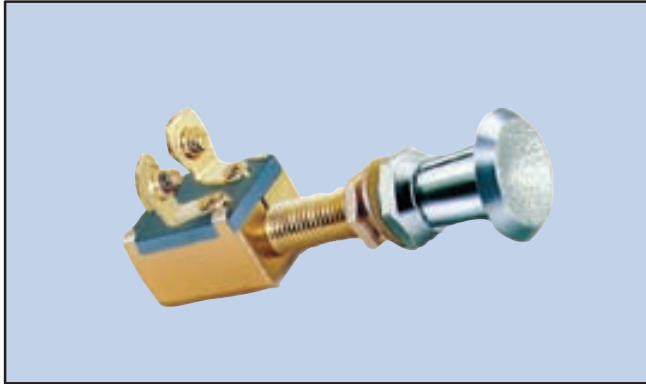
## Push-Pull, Single Pole



S96

### Features

- Heavy Duty, 2-Position Push-Pull Switch
- Mounting Stem: 1 1/4" Long, 3/8" Diameter



## Specifications

- Current Rating:** 25A 6VDC, 15A 12VDC
- Insulation Resistance:** 100 Megohms (min.) at 500VDC
- Dielectric Strength:** 1500V RMS (min.)
- Temperature Rating:** +0° to +150°F (-18° to +65°C)
- Electrical Life:** 30,000 cycles
- Mechanical Life:** 30,000 cycles
- Terminal Type:** Screw Terminals
- Mounting Hole:** .375 (9.52)

NTE Type No.	Circuitry	Action		Actuator		Diag No.
				Material	Color	
54-578	SPST	OFF	ON	Brass	Chrome	S96

# Pushbutton Switches

## Canopy Switch



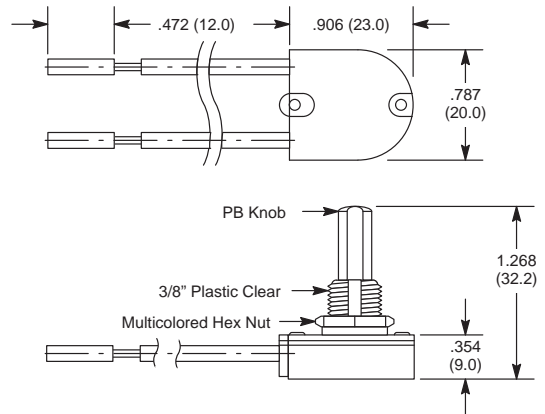
### Features

- Single Circuit Canopy Switch
- Sequence – Load 1 On, Load 1 Off
- One-Piece Construction Eliminates the Need for a Hex Lock Nut



NTE Type No.	Circuitry	Action		Actuator	Diag No.
		ON	OFF		
54-660	SPST	ON	OFF	3/8" Brass Plate	S121

## S121



## Specifications

**Current Rating:** 3A 250VAC, 6A 125VAC, 6A 125VL  
**Insulation Resistance:** 100 Megohms (min.)  
**Dielectric Strength:** 1500V RMS (min.)  
**Temperature Rating:** +32° to +185°F (+0° to +85°C)  
**Electrical Life:** 6,000 cycles (min.)  
**Mechanical Life:** 6,000 cycles (min.)  
**Terminal Type:** 18 AWG, 6" length  
**Mounting Hole:** .393 (10.0)

## Canopy Switch



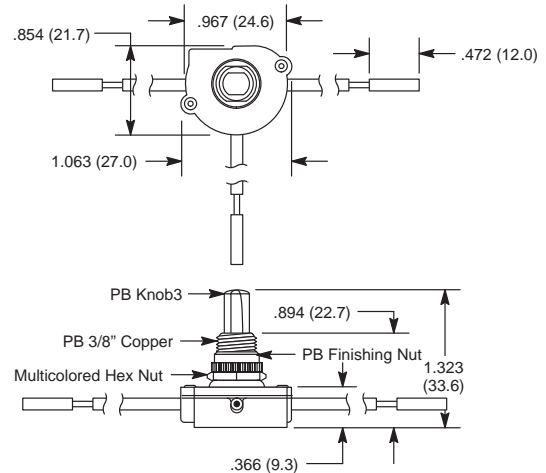
### Features

- 2 Circuit, 4 Position Canopy Switch
- Sequence – Load 1 On, Load 2 On, Load 1 & 2 On, All Off



NTE Type No.	Sequence				Actuator	Diag No.
	Load 1	Load 2	Load 1 & 2	All		
54-662	ON	ON	ON	OFF	3/8" Brass Plate	S122

## S122



## Specifications

**Current Rating:** 1A 125VT, 3A 250VAC, 6A 125VAC, 6A 125VL  
**Insulation Resistance:** 100 Megohms (min.)  
**Dielectric Strength:** 1500V RMS (min.)  
**Temperature Rating:** +32° to +185°F (+0° to +85°C)  
**Electrical Life:** 6,000 cycles (min.)  
**Mechanical Life:** 6,000 cycles (min.)  
**Terminal Type:** 18 AWG, 6" length  
**Mounting Hole:** .393 (10.0)