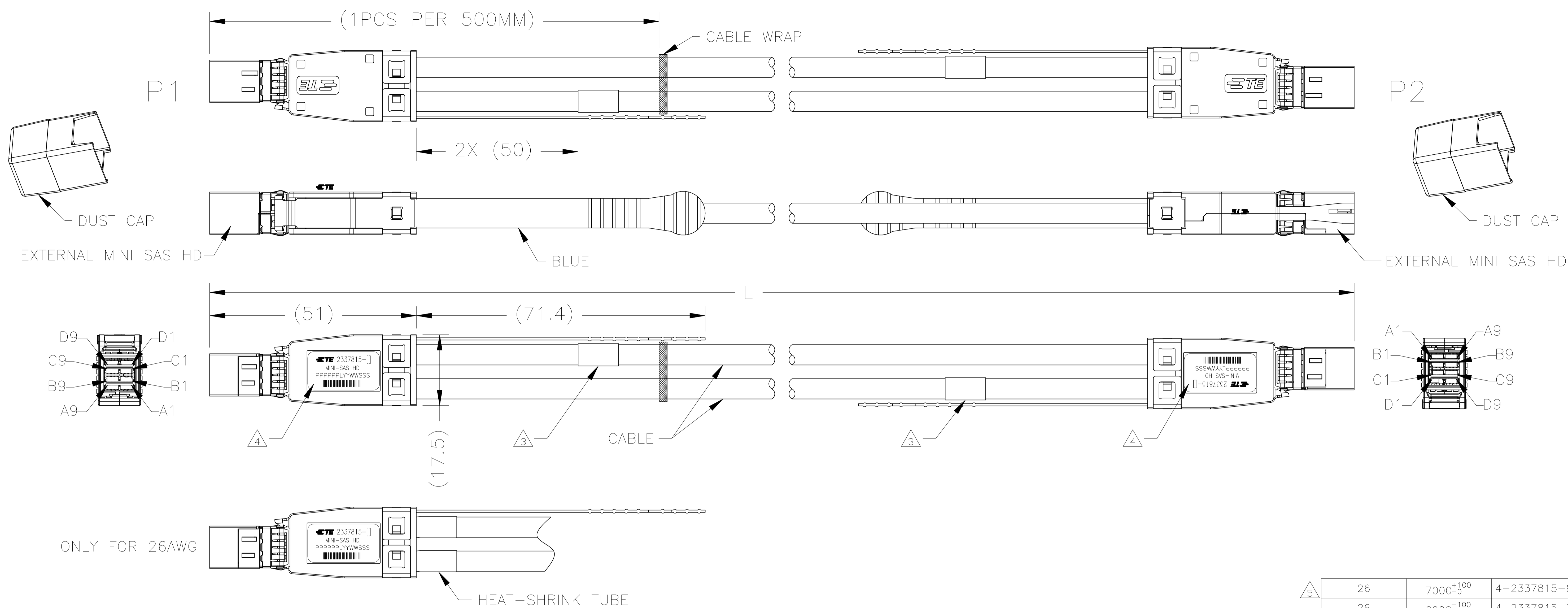
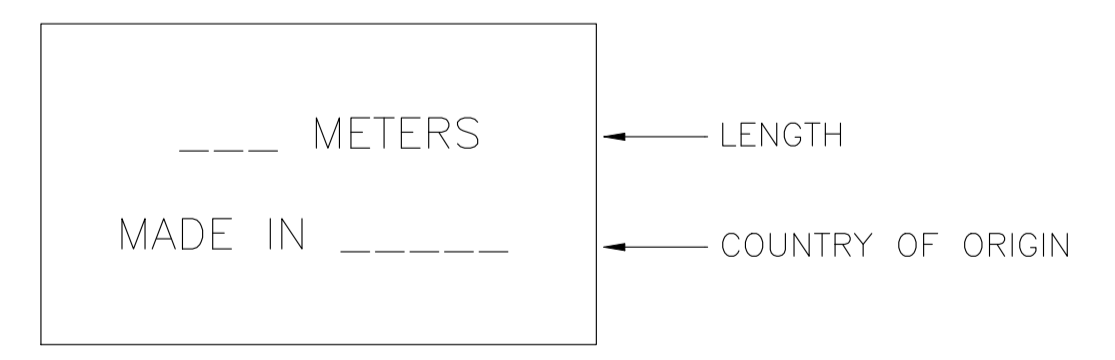


REVISIONS				
P	LTR	DESCRIPTION	DATE	APPRO
A2		ADDED 2-2337815-7 PN	23AUG2021	VK GL

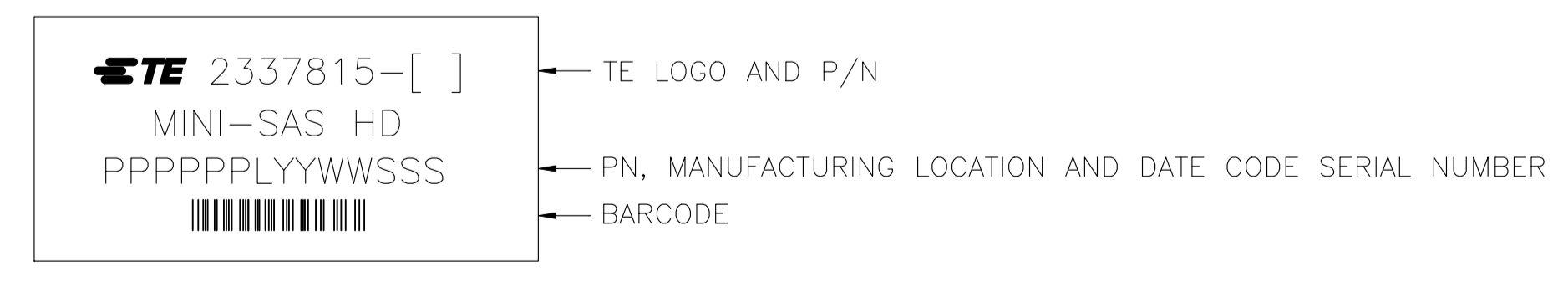


1. ASSEMBLY TESTED FOR CONTINUITY, OPENS, SHORTS, EEPROM PROGRAM AND SIGNAL INTEGRITY.
2. ROHS AND REACH COMPLIANCE: PRODUCT AND PROCESSING MUST MEET REQUIREMENTS OF TE SPECIFICATION TEC-138-702.

△ LABEL INFORMATION:



△ LABEL INFORMATION:



△ 4-2337815-8 CAN NOT MEET SI SPECIFICATION OF SAS3.0.

AWG	L	PART NO.
26	7000 ⁺¹⁰⁰ ₋₀	4-2337815-8
26	6000 ⁺¹⁰⁰ ₋₀	4-2337815-7
26	5000 ⁺¹⁰⁰ ₋₀	4-2337815-6
26	4000 ⁺⁸⁰ ₋₀	4-2337815-5
26	3000 ⁺⁸⁰ ₋₀	4-2337815-4
26	2000 ⁺⁸⁰ ₋₀	4-2337815-3
26	1000 ⁺⁵⁰ ₋₀	4-2337815-2
26	500 ⁺⁵⁰ ₋₀	4-2337815-1
28	3500 ⁺⁸⁰ ₋₀	2-2337815-7
28	5000 ⁺¹⁰⁰ ₋₀	2-2337815-6
28	4000 ⁺⁸⁰ ₋₀	2-2337815-5
28	3000 ⁺⁸⁰ ₋₀	2-2337815-4
28	2000 ⁺⁸⁰ ₋₀	2-2337815-3
28	1000 ⁺⁵⁰ ₋₀	2-2337815-2
28	500 ⁺⁵⁰ ₋₀	2-2337815-1
30	3000 ⁺⁸⁰ ₋₀	2337815-4
30	2000 ⁺⁸⁰ ₋₀	2337815-3
30	1000 ⁺⁵⁰ ₋₀	2337815-2
30	500 ⁺⁵⁰ ₋₀	2337815-1
AWG	L	PART NO.

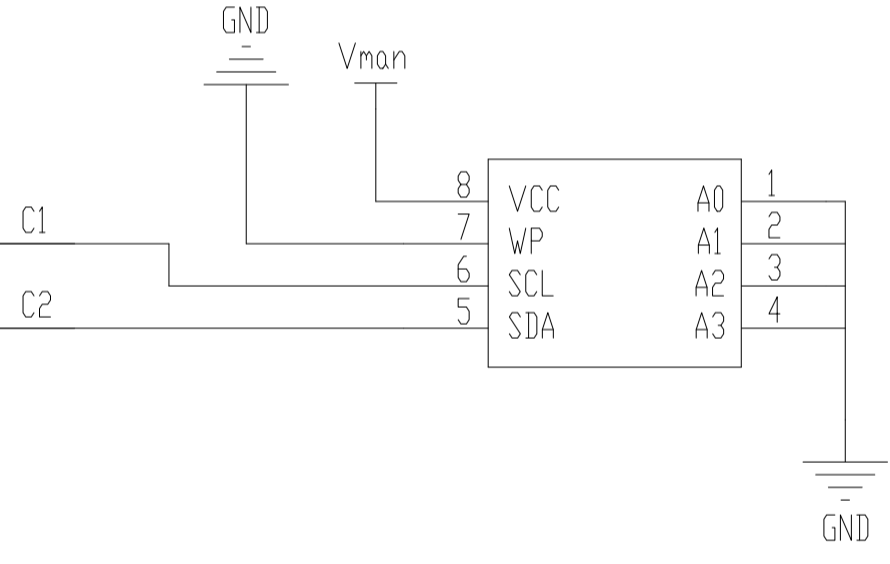
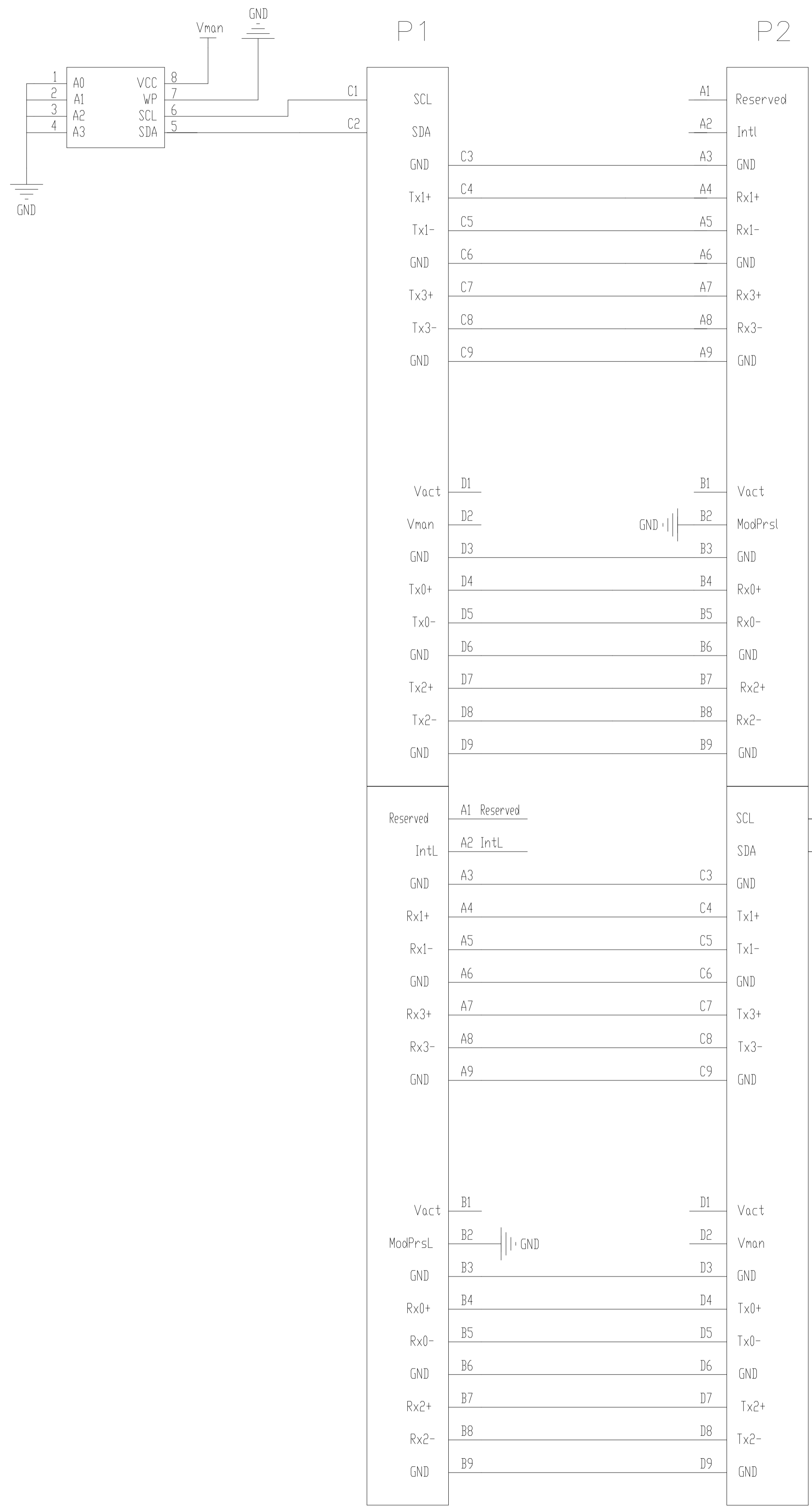
THIS DRAWING IS A CONTROLLED DOCUMENT.

DIMENSIONS: mm	TOLERANCES UNLESS OTHERWISE SPECIFIED:	DWG: KYLIN YAO 05JUN2018	CHK: KYLIN YAO 05JUN2018	APPRO: DAVID ZHANG 05JUN2018	NAME: KYLIN YAO
0. PLC ±	1. PLC ±	2. PLC ±	3. PLC ±	4. PLC ±	ANGLES ±
MATERIAL: -	FINISH: -	WEIGHT: 0	SIZE: A1	CAGE CODE: 00779	DRAWING NO: 2337815
CUSTOMER DRAWING		SCALE: 1:1	SHEET: 1 OF 2	REV: A2	RESTRICTED TO: -

STE TE Connectivity Ltd.

MINI SAS HD TO MINI SAS HD 4X

REVISIONS				
P	LTR	DESCRIPTION	DATE	APP'D
-		SEE SHEET 1	-	-



THIS DRAWING IS A CONTROLLED DOCUMENT.		DIN KYLIN YAO 05JUN2018		TE Connectivity Ltd.	
DIMENSIONS: mm		CHK KYLIN YAO 5JUN2018			
TOLERANCES UNLESS OTHERWISE SPECIFIED:		APP'D DAVID ZHANG 5JUN2018		NAME	
0. PLC ± -		PRODUCT SPEC		MINI SAS HD TO MINI SAS HD	
1. PLC ± -		APPLICATION SPEC		4X	
2. PLC ± -		SIZE		A1	
3. PLC ± -		CAGE CODE		00779	
4. PLC ± -		DRAWING NO		C=2337815	
ANGLES ± -		WEIGHT		RESTRICTED TO	
MATERIAL -		FINISH -		CUSTOMER DRAWING	
		SCALE 1:1		SHEET 2 OF 2	
				REV A2	