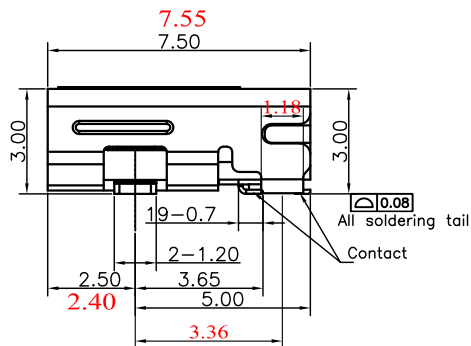
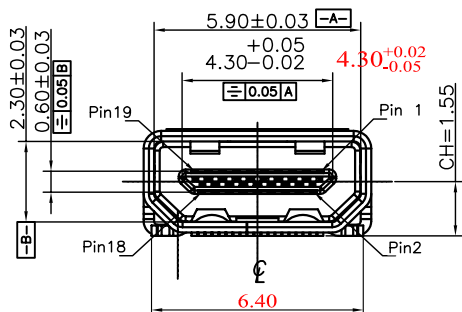
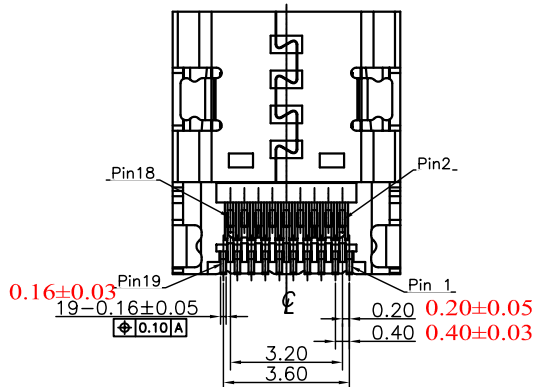


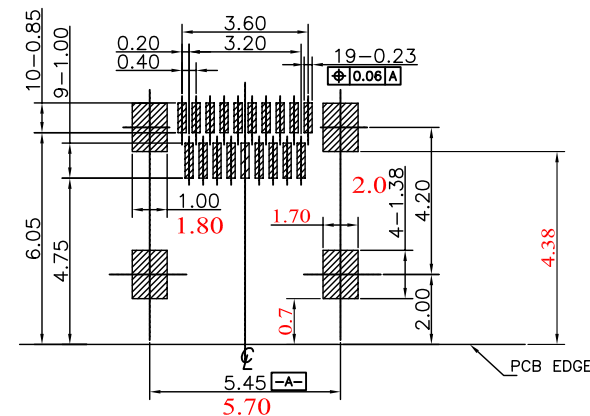
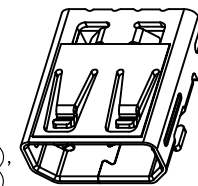
Receptacle and Plug Mated Condition



PIN	Signal Assignment	PIN	Signal Assignment
1	Hot Plug Detect	11	TMDS Data0-
2	Utility	12	TMDS Clock+
3	TMDS Data2+	13	TMDS Clock Shield
4	TMDS Data2 Shield	14	TMDS Clock-
5	TMDS Data2-	15	CEC
6	TMDS Data1+	16	DDC/CEC Ground
7	TMDS Data1 Shield	17	SCL
8	TMDS Data1-	18	SDA
9	TMDS Data0+	19	+5V Power
10	TMDS Data0 Shield		



Specifications:  
 Current Rating:0.3A  
 Contact Resistance:Contact 30mΩ Max. changed (Final),  
 Shell 50mΩ Max. Changed (Final);  
 Insulation Resistance:10MΩ Min. @ 150V DC (Mated),  
 100MΩ Min. @ 500V DC (Unmated)  
 Withstanding Voltage:150V AC (RMS) for 1 minute (Mated),  
 250V AC (RMS) for 1 minute (Unmated)  
 Operating Temperature Range:-40°C To +85°C **-20 ~ 85°C**  
 Mechanical Performance:  
 Insertion force:44.1N (4.5Kgf) Max.  
 Withdrawal force:4.9~25N (0.5~2.5Kgf) **5~25N**  
 Durability life:5,000 Cycles  
 IR Reflow:the peak temperature on board shall be  
 maintained for 10 seconds at 260±5°C  
 Material and Finish:  
 Insulator:High Temp.Plastic(LCP UL94V-0)  
 Insulator Color:Black  
 Contact:Phosphor Copper **Copper Alloy**  
 Plating:Gold Plating at mating area, Matte Tin or Au Plating at solder tail,  
 all over NickelShell:Phosphor Copper  
 Shell:Phosphor Copper **Copper Alloy**  
 Plating:Nickel Plated



RECOMMENDED PCB LAYOUT(TOP VIEW)  
 (TOLERANCE: ±0.05mm)

Note: Dimension in red represents old dimension

RoHS Compliant

				DRAWN:	GENERAL TOLERANCE: .X=±0.20 .XX=±0.15	<b>CnC Tech</b> Industrial Cable and Connector Technology	DESCRIPTION: <b>MICRO HDMI RECEPTACLE SMD TYPE B</b>	SIZE <b>A4</b>
				CHECKED:	UNIT: MM SCALE:1:1			
				APPROVAL:	SHEET: 1 / 1	PART NO:	<b>2002-1-2-40-30-BK</b>	
REV	DATE	FILE	BY		PROJECTION:			