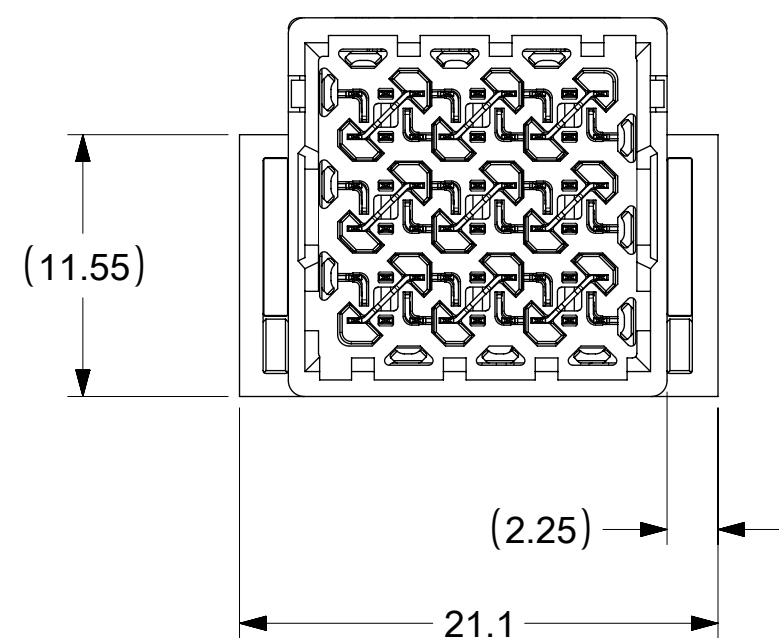
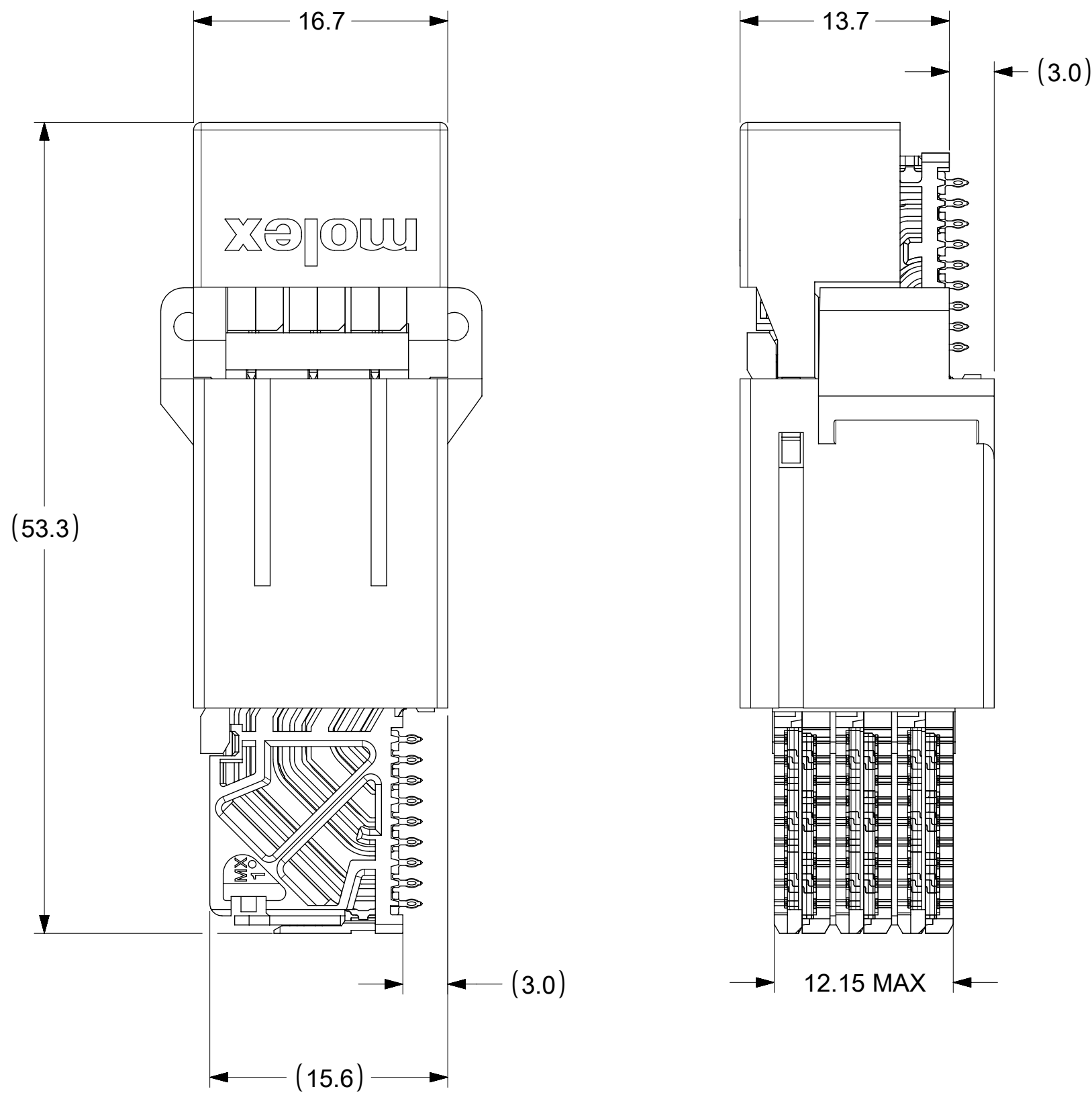


OD-RAM HOLE PATTERN (CONNECTOR SIDE)



FUNCTIONAL SYMBOLS	THIS DRAWING CONTAINS INFORMATION THAT IS PROPRIETARY TO MOLEX ELECTRONIC TECHNOLOGIES, LLC AND SHOULD NOT BE USED WITHOUT WRITTEN PERMISSION		CURRENT REV DESC: MIGRATED TO NX						
	DIMENSION UNITS	SCALE	EC NO: 705090						
FA = 0	mm	NTS	DRWN: ABN 2018/08/29		IMPACT ORTHOGONAL DIRECT 3 PAIR RAM 90 & 270 ASSY UNGUIDED SALES DRAWING				
EC = 0	GENERAL TOLERANCES (UNLESS SPECIFIED)		CHK'D: DYARAS 2022/03/07						
EP = 0	ANGULAR TOL ± 0.5°		APPR: LZENG 2022/05/13		PRODUCT CUSTOMER DRAWING				
DIVISIONAL SYMBOLS		4 PLACES ±	INITIAL REVISION:						
		3 PLACES ±	DRWN: JMENDOZA 2012/08/20		DOCUMENT NUMBER		DOC TYPE	DOC PART	REVISION
		2 PLACES ± 0.13	APPR: JMENDOZA 2012/08/21		SD-171573-0001		PSD	001	C1
		1 PLACE ± 0.25			MATERIAL NUMBER		CUSTOMER		SHEET NUMBER
		0 PLACES ±			SEE TABLE		GENERAL MARKET		1 OF 4
DRAFT WHERE APPLICABLE MUST REMAIN WITHIN DIMENSIONS		THIRD ANGLE PROJECTION		DRAWING	SERIES				
				C-SIZE	171573				



MATED DIMENSIONS (POSITION 90° SHOWN)

NOTES:

- MATERIALS: HOUSING - LIQUID CRYSTAL POLYMER (LCP)
GLASS-FILLED, UL94V-0
TERMINALS - HIGH PERFORMANCE COPPER ALLOY
- FINISH: 30μ MIN GOLD IN CONTACT AREA.
SELECTIVE TIN ON PCB TAILS.
NICKEL OVERALL.
- REFER TO MOLEX PRODUCT SPECIFICATION PS-76060-999 FOR PERFORMANCE SPECIFICATIONS AND ADDITIONAL PCB INFORMATION.
- THIS PART CONFORMS TO CLASS B REQUIREMENTS OF COSMETIC SPEC PS-45499-002.
- PACKAGE PER: PK-70873-8018.
- SEE SHEETS 3 FOR ORTHOGONAL PIN MAPPING.
- REFER TO MOLEX SALES DRAWINGS SD-76860-001 FOR THE MATING RECEPTACLES.
- REFER TO MOLEX ROUTING GUIDE AS-76850-990 FOR ADDITIONAL PCB LAYOUT AND ROUTING RECOMMENDATIONS.
- CONNECTORS ARE SUPPLIED WITH TWO 2-32 THREAD FORMING SCREWS.
- THESE DIMENSIONS REPRESENT THE AREA NEEDED TO ACCOMODATE CONNECTOR INSERTION AND REPAIR ON THE PC BOARD. THIS IS REFERRED TO AS THE "CONNECTOR KEEP OUT ZONE" AND DOES NOT REPRESENT THE ACTUAL PERIMETER OF THE CONNECTOR.
- MARKING: LOCATED APPROXIMATELY AS SHOWN, ON BOTTOM OR TOP HOUSING. PART NUMBER AND DATE CODE.

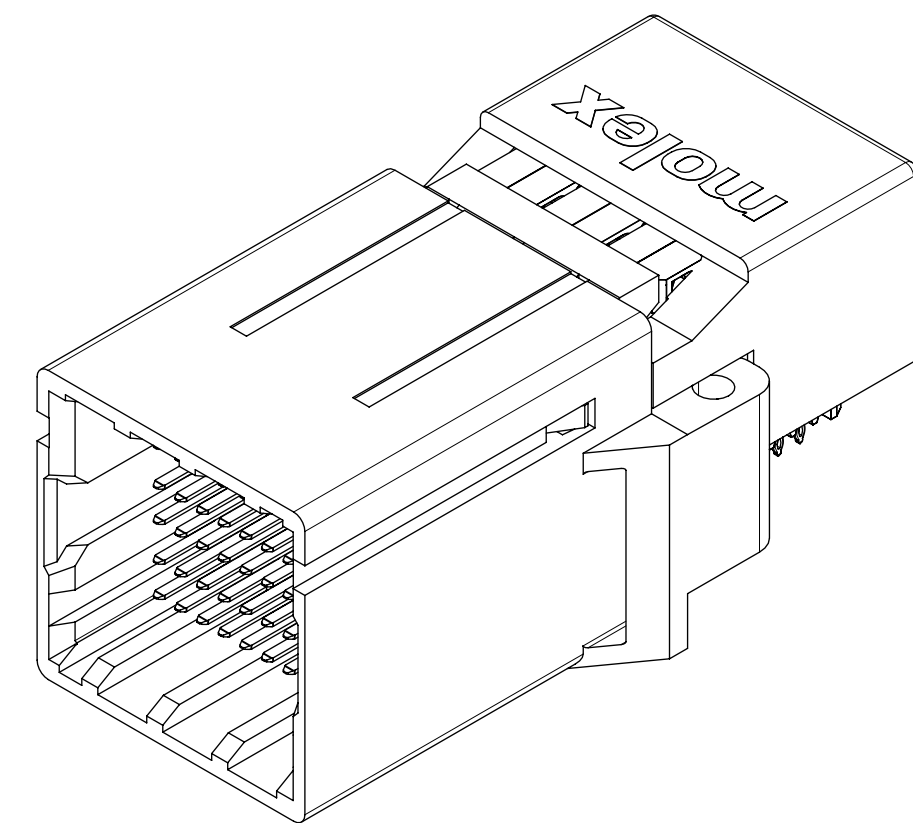
171573-1 6 * *

MODULE TYPE
1 = UNGUIDED, TIN

OF COLUMNS
6 = 6 COLUMN

PIN LENGTH (P)
4 = 4.90 (0.46 PTH)
5 = 5.50 (0.46 PTH)
7 = 4.90 (0.39 PTH)
8 = 5.50 (0.39 PTH)

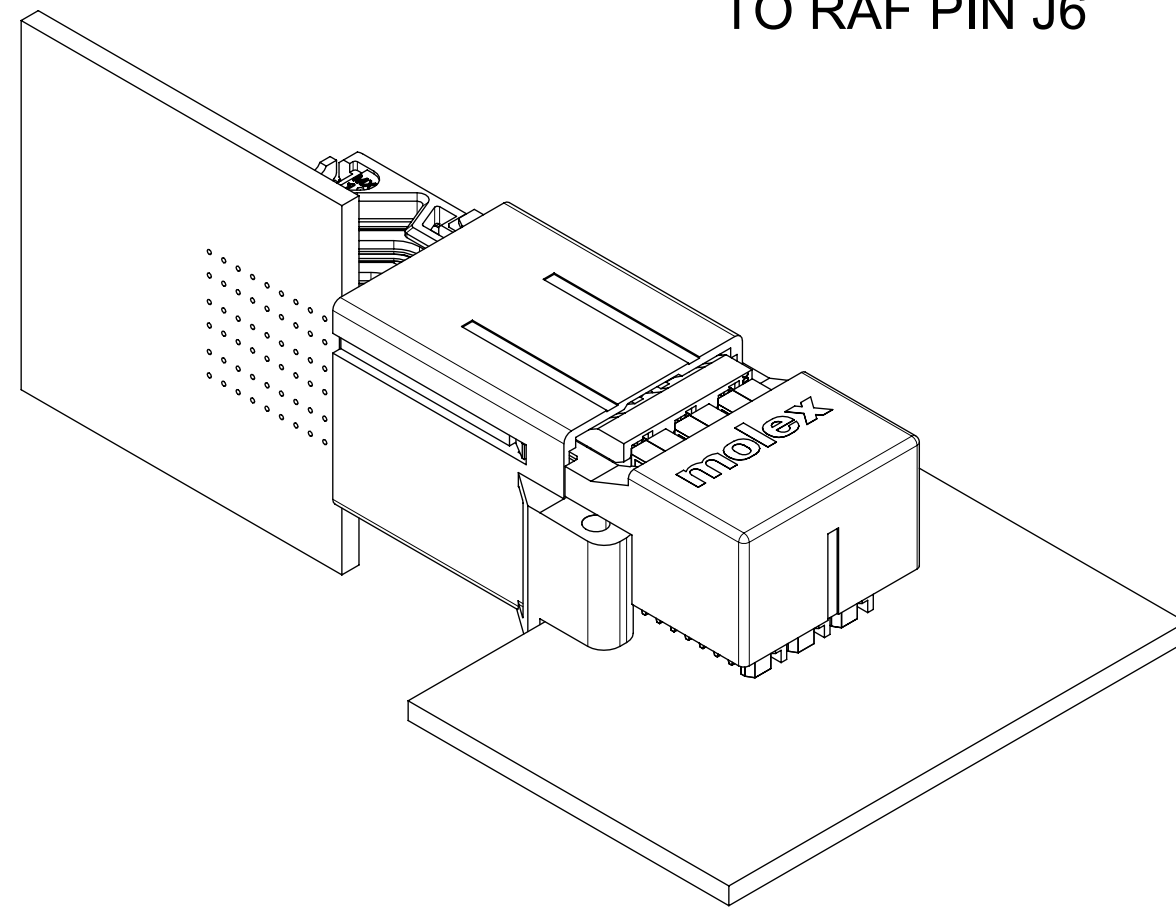
MATE POSITION
1 = 90 DEGREE
3 = 270 DEGREE



UNGUIDED OD-RAM

FUNCTIONAL SYMBOLS	THIS DRAWING CONTAINS INFORMATION THAT IS PROPRIETARY TO MOLEX ELECTRONIC TECHNOLOGIES, LLC AND SHOULD NOT BE USED WITHOUT WRITTEN PERMISSION										
	DIMENSION UNITS	SCALE	CURRENT REV DESC: MIGRATED TO NX								
$\nabla_A = 0$	mm	NTS	EC NO: 705090								
$\nabla_C = 0$	GENERAL TOLERANCES (UNLESS SPECIFIED)		DRWN: ABN 2018/08/29							3 PAIR RAM 90 & 270 ASSY UNGUIDED SALES DRAWING	
$\nabla_P = 0$	ANGULAR TOL ± 0.5°		CHK'D: DYARAS 2022/03/07							PRODUCT CUSTOMER DRAWING	
DIVISIONAL SYMBOLS	4 PLACES ±		APPR: LZENG 2022/05/13							DOCUMENT NUMBER	
	3 PLACES ±		INITIAL REVISION:							DOC TYPE	
	2 PLACES ± 0.13		DRWN: JMENDOZA 2012/08/20							DOC PART	
1 PLACE ± 0.25		APPR: JMENDOZA 2012/08/21							REVISION		
0 PLACES ±		DRAFT WHERE APPLICABLE MUST REMAIN WITHIN DIMENSIONS		THIRD ANGLE PROJECTION	DRAWING	SERIES	MATERIAL NUMBER	CUSTOMER	SHEET NUMBER		
					C-SIZE	171573	SEE TABLE	GENERAL MARKET	2 OF 4		
DOCUMENT STATUS		P1	RELEASE DATE	2022/05/13	03:05:08						

ORTHO POSITION 90°
OD-RAM PIN A1 MAPS
TO RAF PIN J6



ORTHO PIN MAPPING					
OPTION 90 (NEARSIDE - FAR SIDE)					
(A1-J6)	A2-H6	(A3-F6)	A4-E6	(A5-C6)	A6-B6
B1-J5	B2-G6	B3-F5	B4-D6	B5-C5	B6-A6
C1-H5	(C2-G5)	C3-E5	(C4-D5)	C5-B5	(C6-A5)
(D1-J4)	D2-H4	(D3-F4)	D4-E4	(D5-C4)	D6-B4
E1-J3	E2-G4	E3-F3	E4-D4	E5-C3	E6-A4
F1-H3	(F2-G3)	F3-E3	(F4-D3)	F5-B3	(F6-A3)
(G1-J2)	G2-H2	(G3-F2)	G4-E2	(G5-C2)	G6-B2
H1-J1	H2-G2	H3-F1	H4-D2	H5-C1	H6-A2
J1-H1	(J2-G1)	J3-E1	(J4-D1)	J5-B1	(J6-A1)

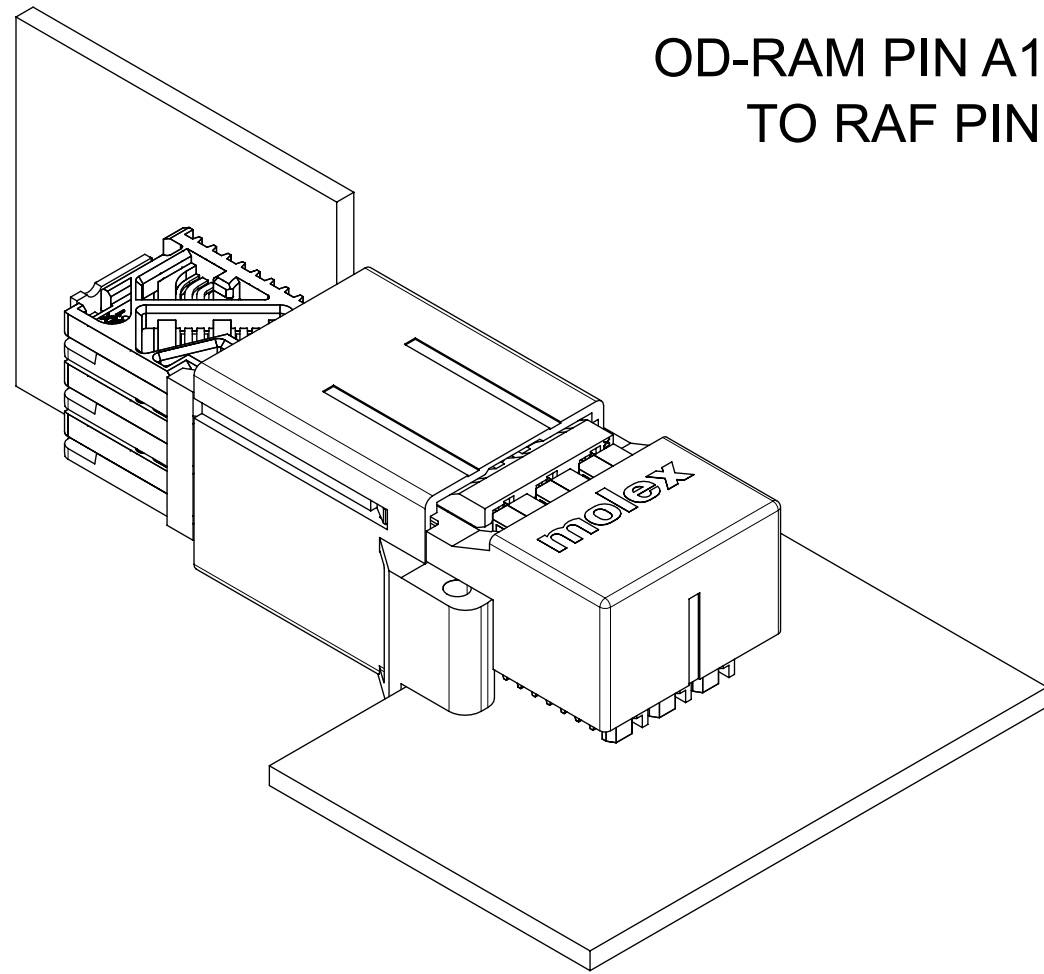
NOTE: PINOUTS SHOWN IN BALLOONS ARE GROUNDS.
 GROUND PATHS ARE NOT DISCRETE CIRCUITS.

MATERIAL NUMBER	# OF COLUMNS	# OF DIFF PAIR	MATE POSITION	DIM P	PTH Ø
171573-1614	6	18	90	4.90	0.46±0.05
171573-1615	6	18	90	5.50	0.46±0.05
171573-1617	6	18	90	4.90	0.39±0.05
171573-1618	6	18	90	5.50	0.39±0.05

FUNCTIONAL SYMBOLS $\nabla_A = 0$ $\nabla_C = 0$ $\nabla_P = 0$ DIVISIONAL SYMBOLS	THIS DRAWING CONTAINS INFORMATION THAT IS PROPRIETARY TO MOLEX ELECTRONIC TECHNOLOGIES, LLC AND SHOULD NOT BE USED WITHOUT WRITTEN PERMISSION		CURRENT REV DESC: MIGRATED TO NX		<p>IMPACT ORTHOGONAL DIRECT 3 PAIR RAM 90 & 270 ASSY UNGUIDED SALES DRAWING</p> <p>PRODUCT CUSTOMER DRAWING</p>			
	DIMENSION UNITS	SCALE	EC NO: 705090					
	mm	NTS	DRWN: ABN 2018/08/29					
	GENERAL TOLERANCES (UNLESS SPECIFIED)		CHK'D: DYARAS 2022/03/07					
ANGULAR TOL ± 0.5°		APPR: LZENG 2022/05/13		DOCUMENT NUMBER	DOC TYPE	DOC PART	REVISION	
4 PLACES ±	INITIAL REVISION:		2012/08/20		SD-171573-0001	PSD	001	C1
3 PLACES ±	DRWN: JMENDOZA		2012/08/20		MATERIAL NUMBER	CUSTOMER		
2 PLACES ± 0.13	APPR: JMENDOZA		2012/08/21		SEE TABLE	GENERAL MARKET		
1 PLACE ± 0.25	THIRD ANGLE PROJECTION		DRAWING	SERIES	SHEET NUMBER			
0 PLACES ±	DRAFT WHERE APPLICABLE MUST REMAIN WITHIN DIMENSIONS		C-SIZE	171573	3 OF 4			

ORTHO POSITION 270°

OD-RAM PIN A1 MAPS TO RAF PIN A1



ORTHO PIN MAPPING					
OPTION 270 (NEARSIDE - FAR SIDE)					
(A1-A1)	A2-B1	(A3-D1)	A4-E1	(A5-G1)	A6-H1
B1-A2	B2-C1	B3-D2	B4-F1	B5-G2	B6-J1
C1-B2	(C2-C2)	C3-E2	(C4-F2)	C5-H2	(C6-J2)
(D1-A3)	D2-B3	(D3-D3)	D4-E3	(D5-G3)	D6-H3
E1-A4	E2-C3	E3-D4	E4-F3	E5-G4	E6-J3
F1-B4	(F2-C4)	F3-E4	(F4-F4)	F5-H4	(F6-J4)
(G1-A5)	G2-B5	(G3-D5)	G4-E5	(G5-G5)	G6-H5
H1-A6	H2-C5	H3-D6	H4-F5	H5-G6	H6-J5
J1-B6	(J2-C6)	J3-E6	(J4-F6)	J5-H6	(J6-J6)

NOTE: PINOUTS SHOWN IN BALLOONS ARE GROUNDS.
GROUND PATHS ARE NOT DISCRETE CIRCUITS.

MATERIAL NUMBER	# OF COLUMNS	# OF DIFF PAIR	MATE POSITION	DIM P	PTH Ø
171573-1634	6	18	270	4.90	0.46±0.05
171573-1635	6	18	270	5.50	0.46±0.05
171573-1637	6	18	270	4.90	0.39±0.05
171573-1638	6	18	270	5.50	0.39±0.05

FUNCTIONAL SYMBOLS DIMENSION UNITS: mm SCALE: NTS GENERAL TOLERANCES (UNLESS SPECIFIED) ANGULAR TOL ± 0.5° 4 PLACES ± 3 PLACES ± 2 PLACES ± 0.13 1 PLACE ± 0.25 0 PLACES ± DIVISIONAL SYMBOLS DRAFT WHERE APPLICABLE MUST REMAIN WITHIN DIMENSIONS	THIS DRAWING CONTAINS INFORMATION THAT IS PROPRIETARY TO MOLEX ELECTRONIC TECHNOLOGIES, LLC AND SHOULD NOT BE USED WITHOUT WRITTEN PERMISSION		CURRENT REV DESC: MIGRATED TO NX		<p>IMPACT ORTHOGONAL DIRECT 3 PAIR RAM 90 & 270 ASSY UNGUIDED SALES DRAWING</p> <p>PRODUCT CUSTOMER DRAWING</p>	
	EC NO: 705090		2018/08/29			DOCUMENT NUMBER: SD-171573-0001 DOC TYPE: PSD DOC PART: 001 REVISION: C1
	DRWN: ABN		2022/03/07			
	CHK'D: DYARAS		2022/05/13			
APPR: LZENG		INITIAL REVISION:		MATERIAL NUMBER: SEE TABLE CUSTOMER: GENERAL MARKET SHEET NUMBER: 4 OF 4		
DRWN: JMENDOZA		2012/08/20				
APPR: JMENDOZA		2012/08/21				
THIRD ANGLE PROJECTION		DRAWING: C-SIZE	SERIES: 171573			