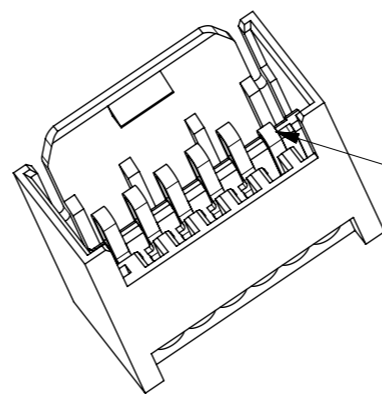
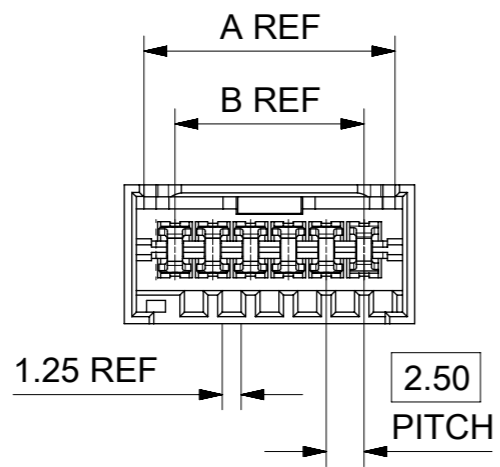
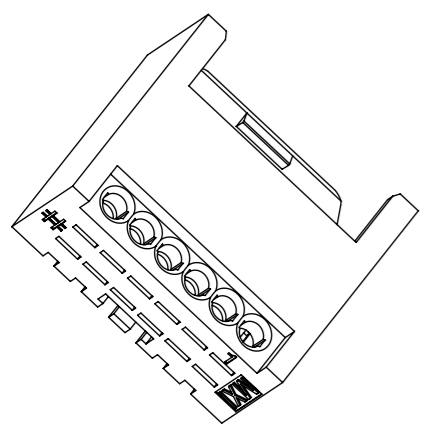


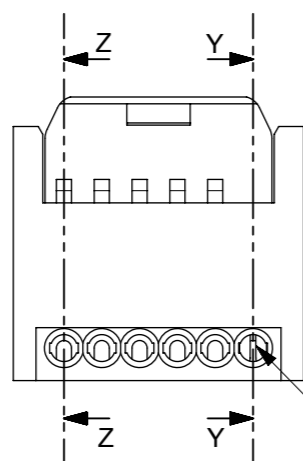
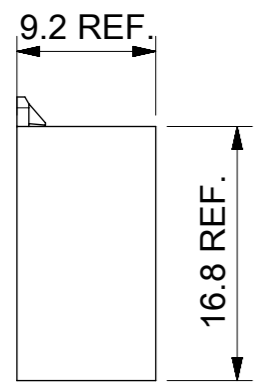
4000012329

6 CIRCUIT CONNECTOR SHOWN

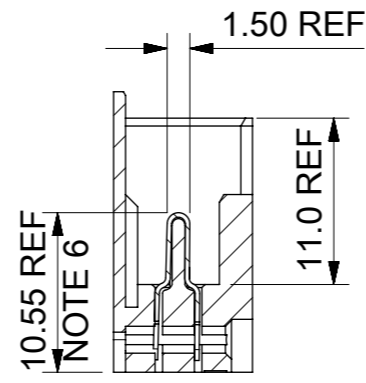
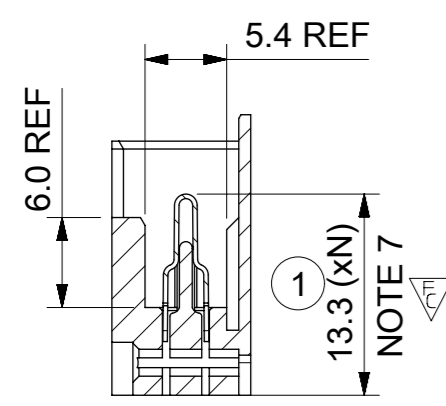
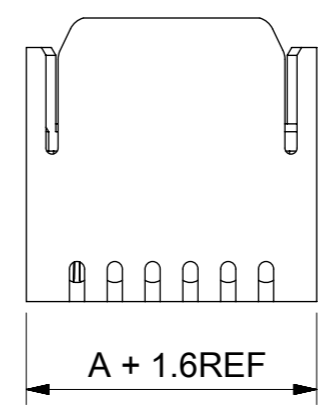
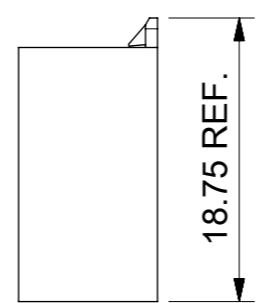


CIRCUIT 1  
NOTE 6

CKT	A	B
2	7.6	2.5
3	10.1	5
4	12.6	7.5
5	15.1	10.0
6	17.6	12.5
7	20.1	15.0
8	22.6	17.5
9	25.1	20.0
10	27.6	22.5
11	30.1	25.0
12	32.6	27.5
13	35.1	30.0
14	37.6	32.5
15	40.1	35.0



CIRCUIT 1  
NOTE 6



10.55 REF  
NOTE 6

SECTION Z-Z

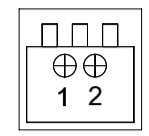
SECTION Y-Y

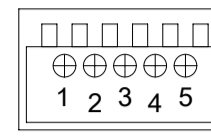
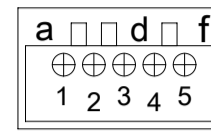
- NOTES:
- MATERIALS  
HOUSING: POLYAMIDE 6 (PA6)  
UL94-V2. COLOUR NATURAL  
TERMINAL: COPPER ALLOY  
PLATING: PRE PLATED HOT TIN DIP
  - PRODUCT CONFORMS TO SPECIFICATION PS-99020-0090.
  - MATES WITH RAST 2.5 APPLIMATE FEMALE CONNS.
  - SEE PACKAGING PK-93422-001
  - CONNECTOR DESIGNED FOR USE WITH PANEL 0.80MM TO 0.90MM THICKNESS.
  - TERMINATED HEIGHT. CIRCUIT 1 SHOWN IN TERMINATED POSITION ONLY FOR PURPOSE OF DIMENSIONING TERMINATED HEIGHT POSITION.
  - TERMINAL PRE-TERMINATED HEIGHT. N=NUMBER OF CIRCUITS.
  - SEE APPLICATION SPEC AS-99033-010.
  - CONNECTOR DESIGNED TO RAST 2.5 STANDARD.

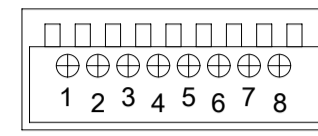
LAST INSPECTION NUMBER: 1

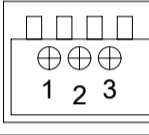
THIS DRAWING CONTAINS INFORMATION THAT IS PROPRIETARY TO MOLEX ELECTRONIC TECHNOLOGIES, LLC AND SHOULD NOT BE USED WITHOUT WRITTEN PERMISSION										
DIMENSION UNITS	SCALE	CURRENT REV DESC: ADDED NEW P/N'S SHT2								
mm	2:1									
GENERAL TOLERANCES (UNLESS SPECIFIED)										
ANGULAR TOL	± 0.5°	EC NO: 614113 DRWN: AKABADI 2019/03/20 CHK'D: TCLEARY 2019/03/20 APPR: DRYAN 2019/03/31								
4 PLACES	±	WIRE TO WIRE HEADER ASSEMBLY FLYING HEADER 2.5MM PITCH 0.22-0.38MM2 CABLE								
3 PLACES	±									
2 PLACES	± 0.05	PRODUCT CUSTOMER DRAWING								
1 PLACE	± 0.1	INITIAL REVISION:				DOCUMENT NUMBER		DOC TYPE		DOC PART
0 PLACES	±	DRWN: TJMURPHY 2016/03/25 APPR: BRUTTLE 2016/06/13				934240001		PSD	000	E
DRAFT WHERE APPLICABLE MUST REMAIN WITHIN DIMENSIONS		THIRD ANGLE PROJECTION	DRAWING	SERIES	MATERIAL NUMBER	CUSTOMER		SHEET NUMBER		
			A3-SIZE	93424	SEE CHARTS	GENERAL MARKET		1 OF 3		

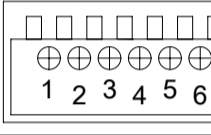
DOCUMENT STATUS	P1	RELEASE DATE	2019/03/31	12:16:47
-----------------	----	--------------	------------	----------

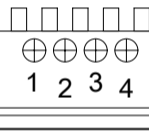
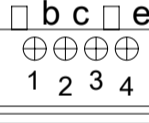
2 Circuit			
MOLEX PART NO.	MOLEX HSG PART NO.	BLOCKED POSITION KEYS	CONFIGURATION (SEE NOTES)
93424-9001	93429-0201	NONE	

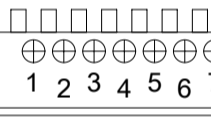
5 Circuit			
MOLEX PART NO.	MOLEX HSG PART NO.	BLOCKED POSITION KEYS	CONFIGURATION (SEE NOTES)
93424-1001	93429-0501	NONE	
93424-1002	93429-0502	a d f	

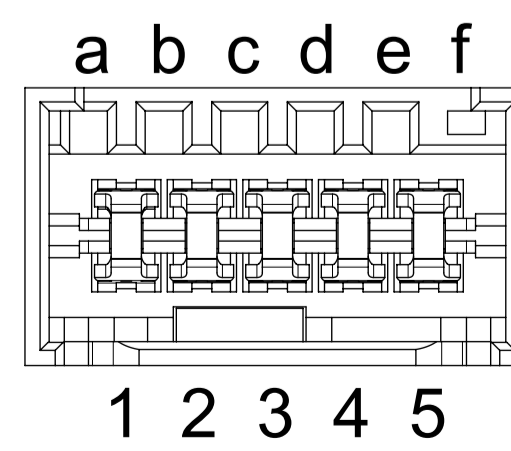
8 Circuit			
MOLEX PART NO.	MOLEX HSG PART NO.	BLOCKED POSITION KEYS	CONFIGURATION (SEE NOTES)
93424-2501	93429-0801	NONE	

3 Circuit			
MOLEX PART NO.	MOLEX HSG PART NO.	BLOCKED POSITION KEYS	CONFIGURATION (SEE NOTES)
93424-0002	93429-0301	NONE	

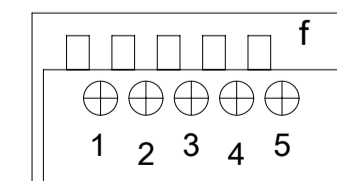
6 Circuit			
MOLEX PART NO.	MOLEX HSG PART NO.	BLOCKED POSITION KEYS	CONFIGURATION (SEE NOTES)
93424-1501	93429-0601	NONE	

4 Circuit			
MOLEX PART NO.	MOLEX HSG PART NO.	BLOCKED POSITION KEYS	CONFIGURATION (SEE NOTES)
93424-0501	93429-0401	NONE	
93424-0502	93429-0402	b c e	

7 Circuit			
MOLEX PART NO.	MOLEX HSG PART NO.	BLOCKED POSITION KEYS	CONFIGURATION (SEE NOTES)
93424-2001	93429-0701	NONE	





CODING IDENTIFICATION  
(5 CKT EXAMPLE WITH  
CODING KEYS D & F BLOCKED)  
VIEW IN MATING DIRECTION



NOTES:

- 1 ⊕ DENOTES LOADED TERMINAL POSITION
- ⊕ DENOTES VOIDED TERMINAL POSITION
- 2. MOLEX HOUSING NUMBER FOR REFERENCE ONLY

THIS DRAWING CONTAINS INFORMATION THAT IS PROPRIETARY TO MOLEX ELECTRONIC TECHNOLOGIES, LLC AND SHOULD NOT BE USED WITHOUT WRITTEN PERMISSION									
DIMENSION UNITS	SCALE	CURRENT REV DESC: ADDED NEW P/N'S SHT2			 WIRE TO WIRE HEADER ASSEMBLY FLYING HEADER 2.5MM PITCH 0.22-0.38MM2 CABLE				
mm	4:1								
GENERAL TOLERANCES (UNLESS SPECIFIED)		EC NO: 614113			DOCUMENT NUMBER				
ANGULAR TOL	± 0.5°	DRWN: AKABADI 2019/03/20			934240001				
4 PLACES	±	CHK'D: TCLEARY 2019/03/20			PSD 000 E				
3 PLACES	±	APPR: DRYAN 2019/03/31			DOC TYPE   DOC PART   REVISION				
2 PLACES	± 0.05	INITIAL REVISION:			MATERIAL NUMBER				
1 PLACE	± 0.1	DRWN: TJMURPHY 2016/03/25			CUSTOMER				
0 PLACES	±	APPR: BRUTTLE 2016/06/13			GENERAL MARKET				
DRAFT WHERE APPLICABLE MUST REMAIN WITHIN DIMENSIONS		THIRD ANGLE PROJECTION	DRAWING	SERIES	SHEET NUMBER				
			A1-SIZE	93424	2 OF 3				

9 Circuit			
MOLEX PART NO.	MOLEX HSG PART NO.	BLOCKED POSITION KEYS	CONFIGURATION (SEE NOTES)
93424-3001	93429-0901	NONE	

12 Circuit			
MOLEX PART NO.	MOLEX HSG PART NO.	BLOCKED POSITION KEYS	CONFIGURATION (SEE NOTES)
93424-4501	93429-1201	NONE	

10 Circuit			
MOLEX PART NO.	MOLEX HSG PART NO.	BLOCKED POSITION KEYS	CONFIGURATION (SEE NOTES)
93424-3501	93429-1001	NONE	

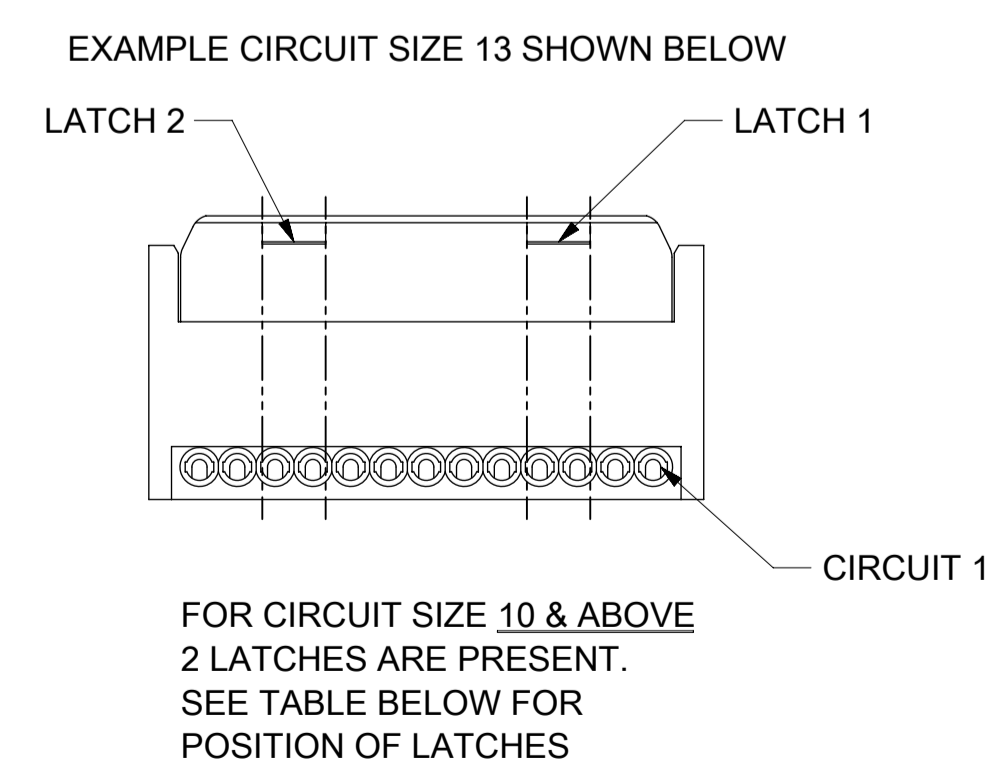
13 Circuit			
MOLEX PART NO.	MOLEX HSG PART NO.	BLOCKED POSITION KEYS	CONFIGURATION (SEE NOTES)
93424-5001	93429-1301	NONE	

11 Circuit			
MOLEX PART NO.	MOLEX HSG PART NO.	BLOCKED POSITION KEYS	CONFIGURATION (SEE NOTES)
93424-4001	93429-1101	NONE	

14 Circuit			
MOLEX PART NO.	MOLEX HSG PART NO.	BLOCKED POSITION KEYS	CONFIGURATION (SEE NOTES)
93424-5501	93429-1401	NONE	

15 Circuit			
MOLEX PART NO.	MOLEX HSG PART NO.	BLOCKED POSITION KEYS	CONFIGURATION (SEE NOTES)
93424-6001	93429-1501	NONE	

LATCH 1 POSITION	LATCH 2 POSITION	
ACROSS CABLE CORES	ACROSS CABLE CORES	CIRCUIT SIZE
4 & 5	11 & 12	15
4 & 5	10 & 11	14
3 & 4	10 & 11	13
3 & 4	9 & 10	12
3 & 4	8 & 9	11
3 & 4	7 & 8	10



- NOTES:
- ⊕ DENOTES LOADED TERMINAL POSITION  
+ DENOTES VOIDED TERMINAL POSITION
  - MOLEX HOUSING NUMBER FOR REFERENCE ONLY

THIS DRAWING CONTAINS INFORMATION THAT IS PROPRIETARY TO MOLEX ELECTRONIC TECHNOLOGIES, LLC AND SHOULD NOT BE USED WITHOUT WRITTEN PERMISSION

DIMENSION UNITS <b>mm</b>	SCALE <b>2:1</b>	CURRENT REV DESC: ADDED NEW P/N'S SHT2	<b>molex</b>		
GENERAL TOLERANCES (UNLESS SPECIFIED)		EC NO: 614113			
ANGULAR TOL ± 0.5°	4 PLACES ±	DRWN: AKABADI 2019/03/20	FLYING HEADER 2.5MM PITCH 0.22-0.38MM2 CABLE		
3 PLACES ±	2 PLACES ± 0.05	CHK'D: TCLEARY 2019/03/20	PRODUCT CUSTOMER DRAWING		
1 PLACE ± 0.1	1 PLACE ± 0.1	APPR: DRYAN 2019/03/31	INITIAL REVISION:		
0 PLACES ±	0 PLACES ±	DRWN: TJMURPHY 2016/03/25	DRWN: TJMURPHY 2016/06/13		
DRAFT WHERE APPLICABLE MUST REMAIN WITHIN DIMENSIONS	THIRD ANGLE PROJECTION	DRAWING	SERIES	DOCUMENT NUMBER	DOC TYPE   DOC PART   REVISION
		<b>A1-SIZE</b>	<b>93424</b>	<b>934240001</b>	PSD   000   E
MATERIAL NUMBER		CUSTOMER	SHEET NUMBER		
SEE CHARTS		GENERAL MARKET	3 OF 3		