

THIS COPY IS PROVIDED ON A RESTRICTED BASIS AND IS NOT TO BE USED IN ANY WAY DETRIMENTAL TO THE INTERESTS OF PANDUIT CORP.

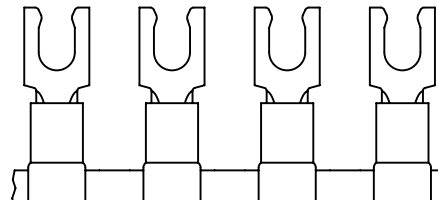
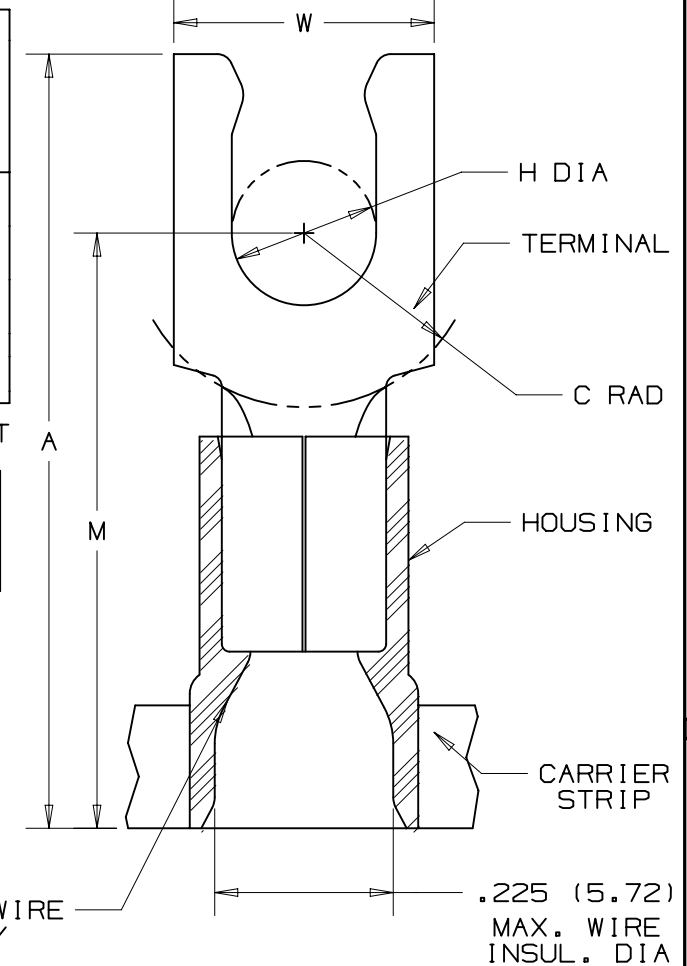
PANDUIT PART NUMBER	STUD SIZE	DIMENSIONS - in.					CA9 SERIES CRIMP DIE	CA-800 (EZ) SERIES CRIMP DIE
		A ± .03	W ± .01	C ± .02	M ± .03	H ± .01		
PV10-6LFB-2K	#6	1.02 (25.91)	.30 (7.62)	.21 (5.33)	.77 (19.56)	.14 (3.56)	CD9-3B	CD-800-3
PV10-8LFB-2K	#8	1.04 (26.42)	.30 (7.62)	.21 (5.33)	.77 (19.56)	.16 (4.06)		
PV10-10LFB-2K	#10	1.04 (26.42)	.34 (8.64)	.21 (5.33)	.77 (19.56)	.19 (4.83)		
PV10-14LFB-2K	1/4"	1.16 (29.46)	.46 (11.68)	.32 (8.13)	.88 (22.35)	.25 (6.35)		

PRESS/APPLICATOR COMPATIBILITY CHART

PRESS	CP-871	CP-861
APPLICATOR	CA9 CA-800EZ	CA-800

NOTES:

- cULus LISTED FOR:
 - A. 221° F (105° C) MAX TEMP RATING
 - B. 600 V MAX. BLDG WIRE
 - C. #12-10 AWG (2.5-6.0 mm²) SOLID OR STRANDED, COPPER WIRE
- SEE WWW.PANDUIT.COM FOR PACKAGE QUANTITIES
- MATERIAL:
 - A. STAMPING - .04" (.81) THK, COPPER
TIN PLATED
 - B. HOUSING - VINYL, YELLOW
- DIMENSIONS IN BRACKETS ARE IN MILLIMETERS
- WIRE STRIP LENGTH: $11/32 + 1/32$ (8.7 + .8)



TITLE			
LOCKING FORKS 2 PC. VINYL INSULATED #12-10 BARREL, CONTINUOUS REEL			
CUSTOMER DRAWING			
ITEM REVISION NAME		N41070BA/05	
DATASET FILE NAME		N41070BA/05	
UNLESS OTHERWISE SPECIFIED, DIMENSIONAL TOLERANCES ARE: IN [mm]		MATERIAL: SEE NOTES	
.X ± .XX ±		.XXX ± ANGLES ±	
		DRAWING NUMBER: A41070	
DRAWN BY	DATE	CHK	SCALE
DSM			NONE
SHT 1 OF 1		SIZE A	

REV	DATE	BY	CHK	APR	DESCRIPTION	ECN
05	07/14	MBY	JHNU	RGB	REVISED NOTES, MOVED TOOLS TO TABLE, REVISED CERTIFICATION, UPDATED BORDER	N41070BA-A41070

D10100DA/16