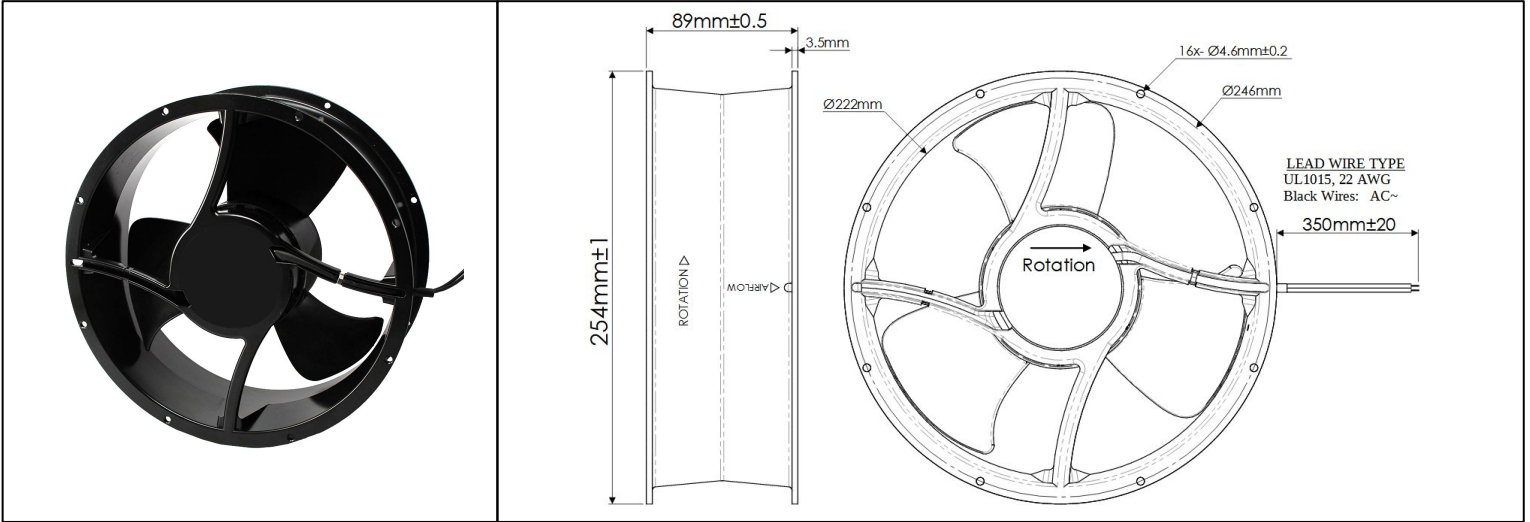


# OA254EC XC IP68 ATEX Series



EC Fans - 115, 230V  
254mm x 89mm (10" x 3.5")



<b>Frame</b>	Die Cast Aluminum, Black Finish	<b>Operating Temperature</b> -20°C ~ +70°C  <b>Storage Temperature</b> -30°C ~ +75°C  <b>Life Expectancy</b> 60,000 Hours (L10 at 40°C)  <b>Installed Options</b> ATEX/IP68 Rated Motor Find Certificates on Website  <b>Weight:</b> 4.62 lbs	
<b>Impeller</b>	PBT, UL94 V-0 Plastic		
<b>Connection</b>	2x Wire Leads, 22 AWG		
<b>Motor</b>	Brushless EC, Auto Cutoff, Auto Restart, Electronically Protected, IP68 and ATEX Rated		
<b>Bearing System</b>	Ball Bearings		
<b>Dielectric Strength</b>	1500VAC/min, <1mA		
<b>Insulation Resistance</b>	≥10MΩ @ 500 VDC		

Part Number	Rated Voltage (Volts AC)	Frequency Range (Hertz)	Voltage Range (Volts AC)	Input Power (Watts)	Rated Current (Amps)	Rated Speed (RPM)	Max Airflow (CFM)	Noise Level (dBA)	Max Static Pressure ("H <sub>2</sub> O)
OA254EC-11-1WBXCIP68A	115	50 / 60	80 ~ 130	75	1.05	2750	830	70.1	1.20
OA254EC-22-1WBXCIP68A	230	50 / 60	200 ~ 260	72	0.64	2750	830	70.1	1.20