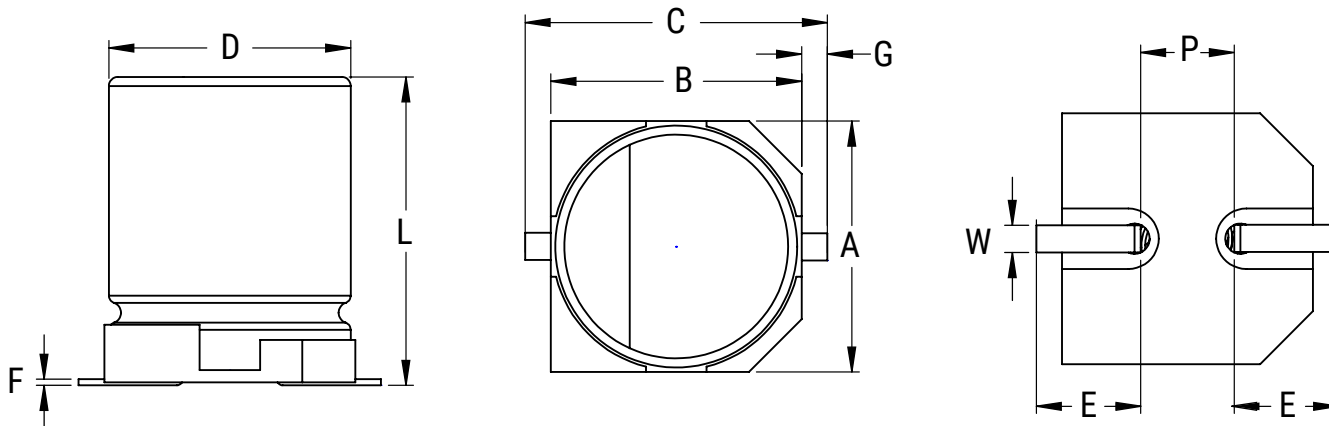


# Aluminum Electrolytic Surface Mount Capacitors

## Sample Kit Contents

KEMET Part Number	VDC	VDC Surge Voltage	Rated Capacitance 120 Hz 20°C (μF)	Case Size D x L (mm)	DF 120 Hz 20°C (tan δ %)	LC 20°C 2 Minutes (μA)	Quantity
EDK476M016A9DAA	16	20	47	5 x 5.4	16	7.5	6
EEV337M016A9MAA	16	20	330	8 x 10.2	16	52.8	6
EEV227M016A9HAA	16	20	220	6.3 x 7.7	16	35.2	6
EDK106M025A9BAA	25	32	10	4 x 5.4	20	3.0	6
EDH107M025A9HAA	25	32	100	6.3 x 7.7	16	25.0	6
EXV477M025A9PAA	25	32	470	10 x 10.2	14	117.5	6
EDH228M025A9TAA	25	32	2,200	16 x 16.5	26	550.0	6
EDK475M035A9BAA	35	44	4.7	4 x 5.4	12	3.0	6
EDK106M035A9BAA	35	44	10	4 x 5.4	16	3.5	6
EEV476M035A9GAA	35	44	47	6.3 x 5.4	12	16.5	6
EEV107M035A9HAA	35	44	100	6.3 x 7.7	12	35.0	6
EXV337M035A9PAA	35	44	330	10 x 10.2	12	115.5	6
EXV227M050A9PAA	50	63	220	10 x 10.2	12	110.0	6
EDH225M050A9BAA	50	63	2.2	4 x 5.4	12	3.0	6
EDH107M063A9PAA	63	79	100	10 x 10.2	18	63.0	6
EDH476M100A9PAA	100	125	47	10 x 10.2	18	47.0	6
EDH476M200A9TAA	200	250	47	16 x 16.5	20	94.0	6
EDH476M250A9TAA	250	300	47	16 x 16.5	20	117.5	6
EDH336M400A9TAA	400	450	33	16 x 16.5	25	132.0	6
EDH226M450A9TAA	450	500	22	16 x 16.5	25	99.0	6

## Dimensions – Millimeters (Inches)



### EDH

Size Code	D		L		A/B		C		E	
	Nominal	Tolerance	Nominal	Tolerance	Nominal	Tolerance	Nominal	Tolerance	Nominal	Tolerance
9B	4	±0.5	5.4	+0.25/-0.1	4.3	±0.2	5.5	Maximum	1.8	±0.2
9H	6.3	±0.5	7.7	±0.3	6.6	±0.2	7.8	Maximum	2.6	±0.2
9P	10	±0.5	10.2	±0.3	10.3	±0.2	13	Maximum	3.5	±0.2
9T	16	±0.5	16.5	±1.0	16.3	±0.2	18.7	Maximum	5.8	±0.2

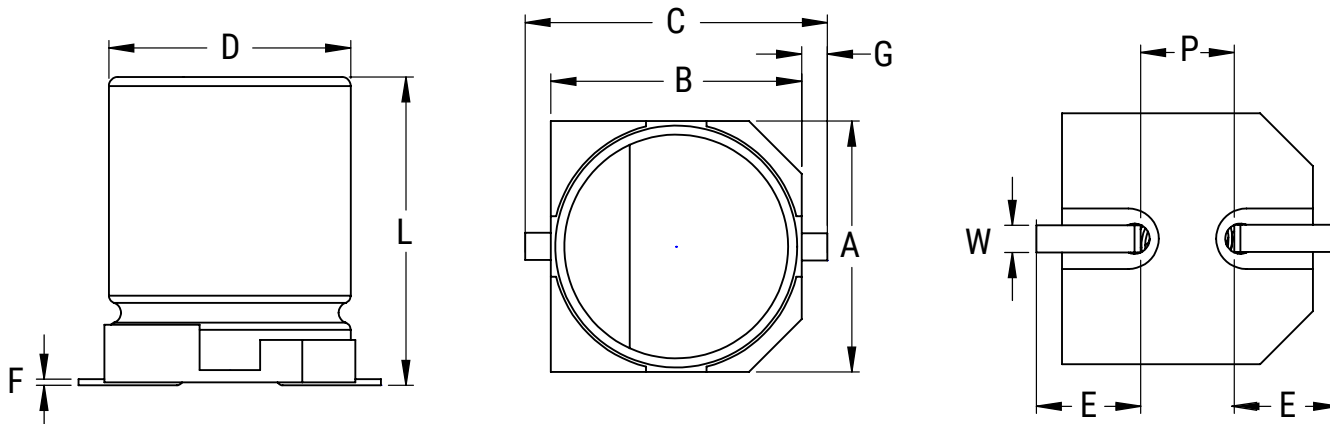
Size Code	F		G		P		W	
	Nominal	Tolerance	Nominal	Tolerance	Nominal	Tolerance	Nominal	Tolerance
9B	0.3	Maximum	0.35	+0.15/-0.2	1.0	±0.2	0.65	±0.1
9H	0.3	Maximum	0.35	+0.15/-0.2	1.8	±0.2	0.65	±0.1
9P	0.3	Maximum	0.70	±0.2	4.6	±0.2	0.9	±0.2
9T	0.3	Maximum	1.0	±0.2	6.0	±0.2	2.0	±0.2

### EDK

Size Code	D		L		A/B		C		E	
	Nominal	Tolerance	Nominal	Tolerance	Nominal	Tolerance	Nominal	Tolerance	Nominal	Tolerance
9B	4	±0.5	5.4	+0.25/-0.1	4.3	±0.2	5.5	Maximum	1.8	±0.2

Size Code	F		G		P		W	
	Nominal	Tolerance	Nominal	Tolerance	Nominal	Tolerance	Nominal	Tolerance
9B	0.3	Maximum	0.35	+0.15/-0.2	1.0	±0.2	0.65	±0.1

## Dimensions – Millimeters (Inches)



### EEV

Size Code	D		L		A/B		C		E	
	Nominal	Tolerance	Nominal	Tolerance	Nominal	Tolerance	Nominal	Tolerance	Nominal	Tolerance
9G	6.3	±0.5	5.4	+0.25/-0.1	6.6	±0.2	7.8	Maximum	2.6	±0.2
9H	6.3	±0.5	7.7	±0.3	6.6	±0.2	7.8	Maximum	2.6	±0.2
9M	8	±0.5	10.2	±0.3	8.3	±0.2	10	Maximum	3.4	±0.2

Size Code	F		G		P		W	
	Nominal	Tolerance	Nominal	Tolerance	Nominal	Tolerance	Nominal	Tolerance
9G	0.3	Maximum	0.35	+0.15/-0.2	1.8	±0.2	0.65	±0.1
9H	0.3	Maximum	0.35	+0.15/-0.2	1.8	±0.2	0.65	±0.1
9M	0.3	Maximum	0.70	±0.2	3.1	±0.2	0.9	±0.2

### EXV

Size Code	D		L		A/B		C		E	
	Nominal	Tolerance	Nominal	Tolerance	Nominal	Tolerance	Nominal	Tolerance	Nominal	Tolerance
9P	10	±0.5	10.2	±0.3	10.3	±0.2	13	Maximum	3.5	±0.2

Size Code	F		G		P		W	
	Nominal	Tolerance	Nominal	Tolerance	Nominal	Tolerance	Nominal	Tolerance
9P	0.3	Maximum	0.70	±0.2	4.6	±0.2	0.9	±0.2