



Since 1959

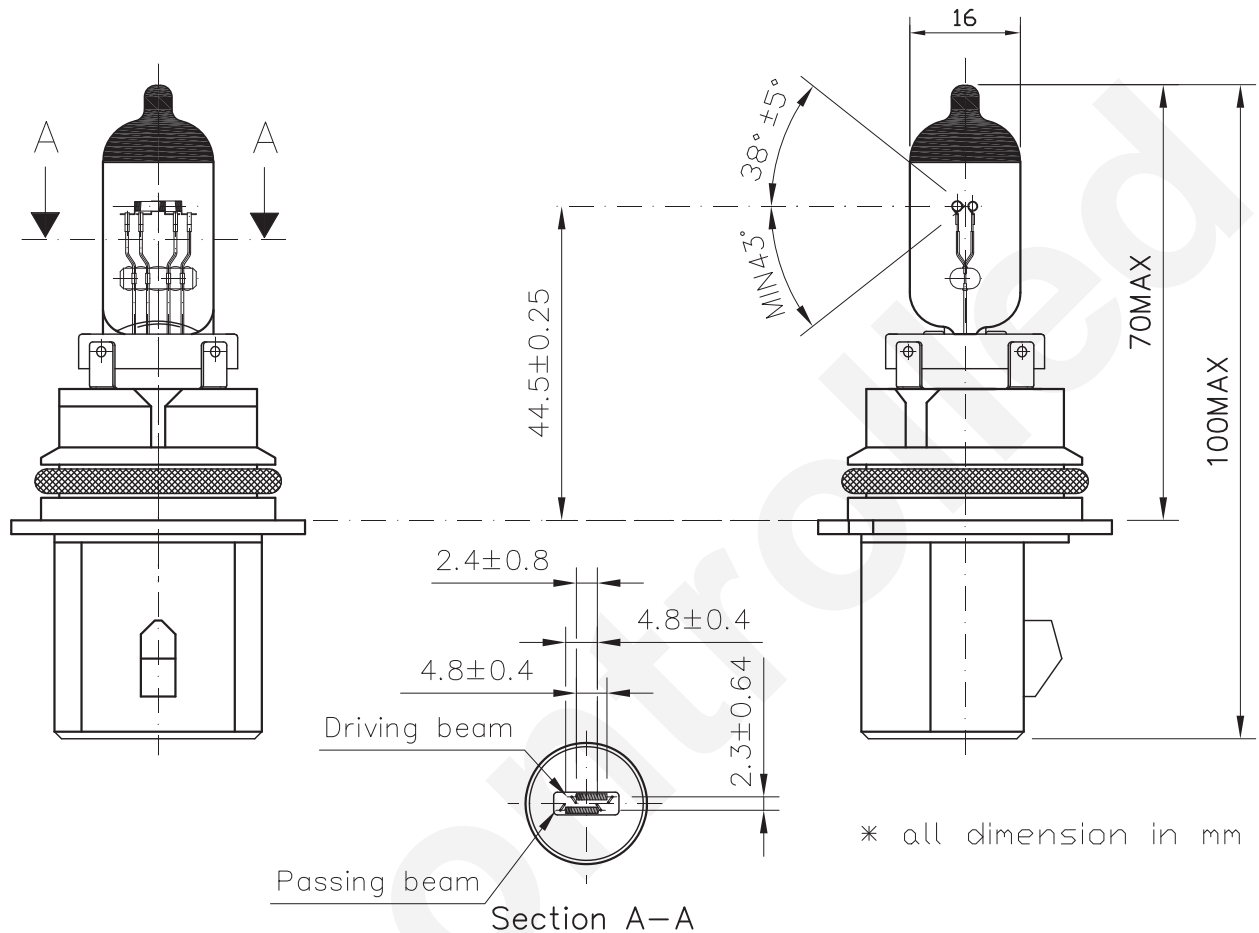
Product Information Sheet

HB1 (9004) 12V 65/45W STD

9004

2018. 04. 09 NEW

2017. 03. 07 OLD



Halogen bulb
 HB1 12V 65/45W STD
 Cap: ¹⁾ P29t
 Type: 9004
 ECE R37 None
 FMVSS 108 DOT
 Bulb mat.: Hardglass

Technical data	FMVSS 108
Test voltage	12.8V
Power	DBF 70Wmax PBF 50Wmax
Luminous flux	DBF 1200lm ±15% PBF 700lm ±15%
Lumen maintenance	105hr after DBF 90 % min 224hr after PBF 90 % min
Rated life:	²⁾³⁾ at 14.0V DBF 150 h average PBF 320 h average
Maximum operating temperature:	1:bulb 650°C max 2:pinch 400°C max
Vibration resistance acc. to IEC 60810 Annex B; table B.2	> 20h

1) According to IEC 60061-1 sheet 7004-66-1
 2) According to SAE J 1383 Annex 5.20
 3) Switching cycle according to SAE J 1383 5.20.2
 4) According to IEC 60810 Annex A
 5) Switching cycle according to IEC 60810 Annex A;4.1.1
 6) Switching cycle according to IEC 60810 Annex A;4.1.2
 7) Switching cycle according to IEC 60810 Annex A;4.2