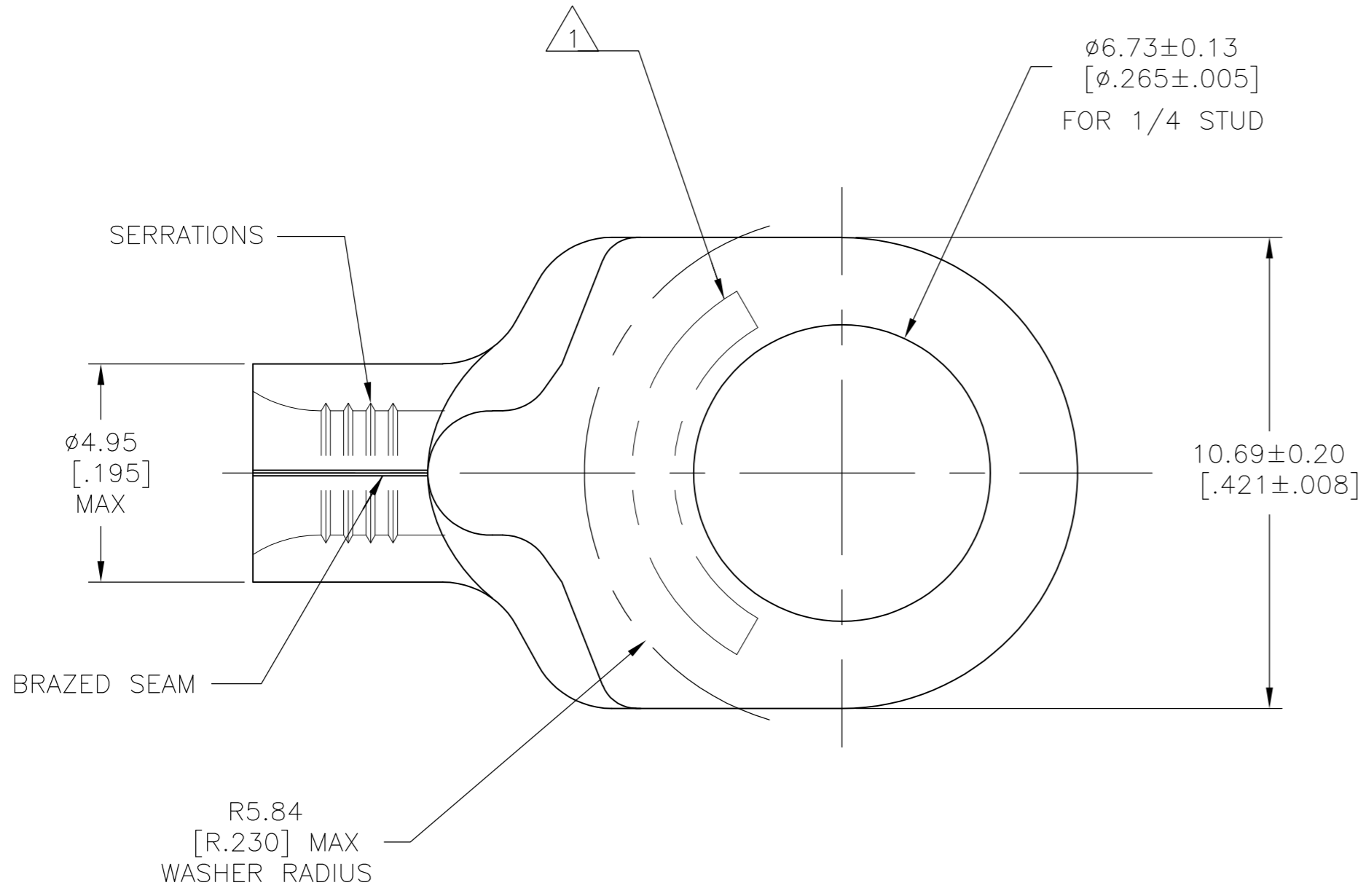


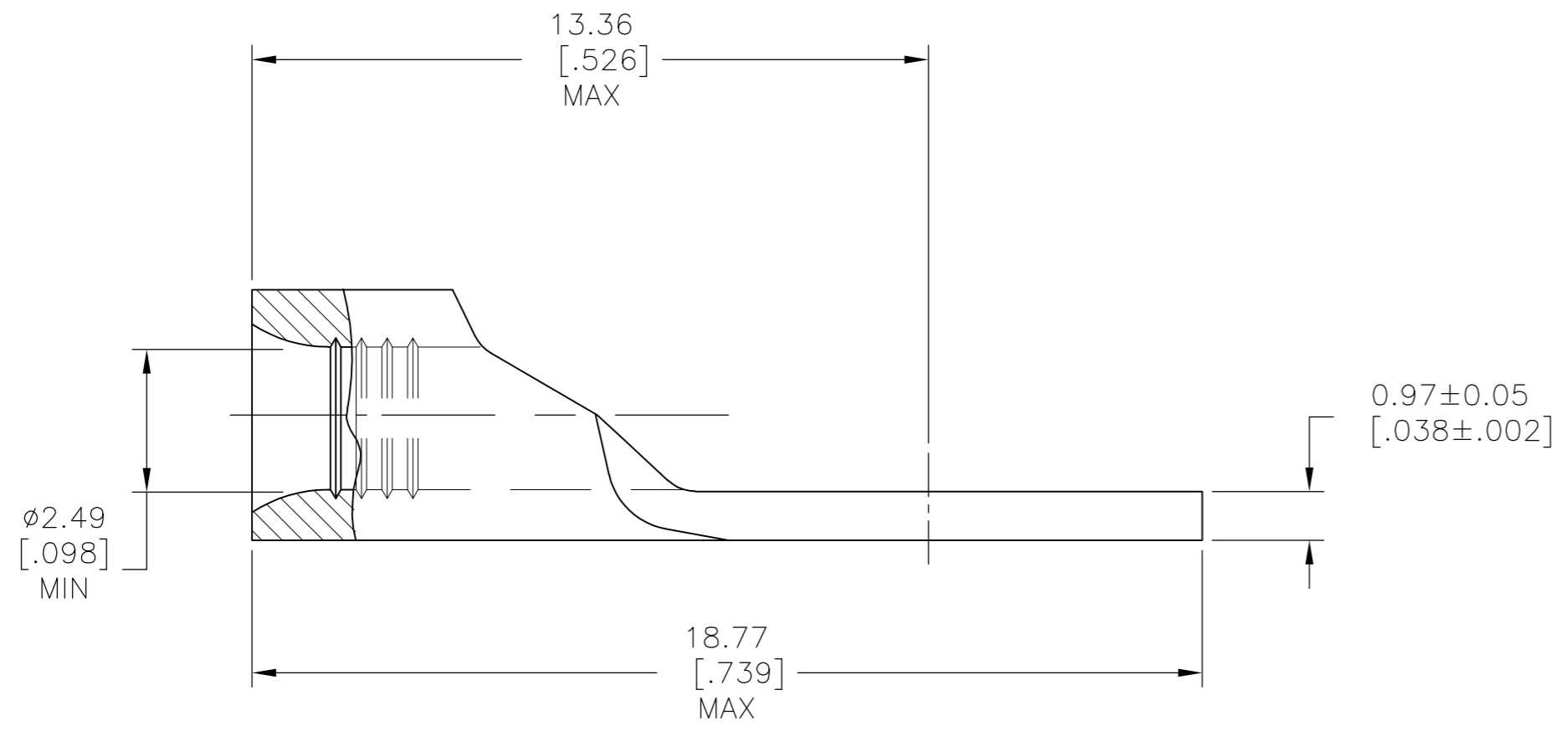
THIS DRAWING IS UNPUBLISHED. RELEASED FOR PUBLICATION  
 © COPYRIGHT - By - ALL RIGHTS RESERVED.

LOC		DIST		REVISIONS			
P	LTR	DESCRIPTION		DATE	DWN	APVD	
G	14	E1		REVISED PER ECO-14-016902	10NOV2014	NK	DR



<b>AMP</b> WIRE RANGE	<b>UL</b> Listed FILE E13288	<b>LR7189</b> Certified
14-12 AWG SOLID OR STRANDED	14-12 AWG STRANDED	14-12 AWG SOLID OR STRANDED

- 1 STAMP AMP 14-12\* APPROX AS SHOWN
- 2 MATERIAL: COPPER PER ASTM B-152, ANNEALED
- 3 FINISH: 0.00254 [.000100] MIN THK TIN PER ASTM B-545



5000	ON TAPE, REEL	34487-2
-	LOOSE PIECE	34487
QTY	PACKAGE TYPE	PART NO

<b>AMP INCORPORATED</b>		MAX RECOMMENDED OPERATING TEMPERATURE: 170° C
<b>CUSTOMER SERVICE SYSTEMS</b>		
FOR ADDITIONAL PRODUCT INFORMATION OR COPIES OF DRAWINGS AND TECHNICAL DOCUMENTS	PRODUCT INFORMATION CENTER 1-800-522-6752	VOLTAGE RATING: N/A
FOR APPLICATION TOOLING INFORMATION	TOOLING ASSISTANCE CENTER 1-800-722-1111	CIRCULAR MIL AREA: 1.65-4.17mm <sup>2</sup> [3.260-8.230] SOLID OR STRANDED
FOR ORDER ENTRY	1-800-526-5142	

THIS DRAWING IS A CONTROLLED DOCUMENT.		DWN TA BRINKMAN 3-17-93	<b>TE</b> TE Connectivity	
DIMENSIONS: mm [INCHES]		CHK DA PATTERSON 3-17-93		
TOLERANCES UNLESS OTHERWISE SPECIFIED:		APVD J MECKLEY 3-17-93	NAME TERMINAL, RING TONGUE, SOLISTRAND	
0 PLC ± - 1 PLC ± - 2 PLC ± - 3 PLC ± - 4 PLC ± - ANGLES ± -		PRODUCT SPEC -	SIZE A2	
MATERIAL 2		FINISH 3	CAGE CODE 00779	DRAWING NO C=34487
CUSTOMER DRAWING		WEIGHT -	RESTRICTED TO -	SCALE 8:1
		REVISIONS	SHEET 1 OF 1	REV E1