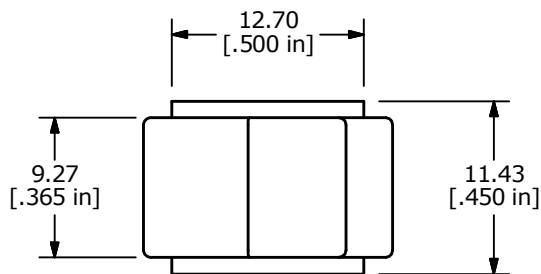
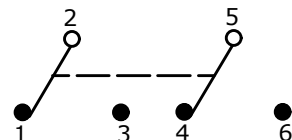


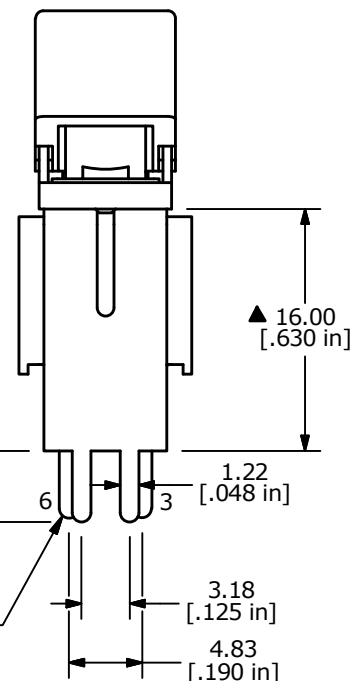
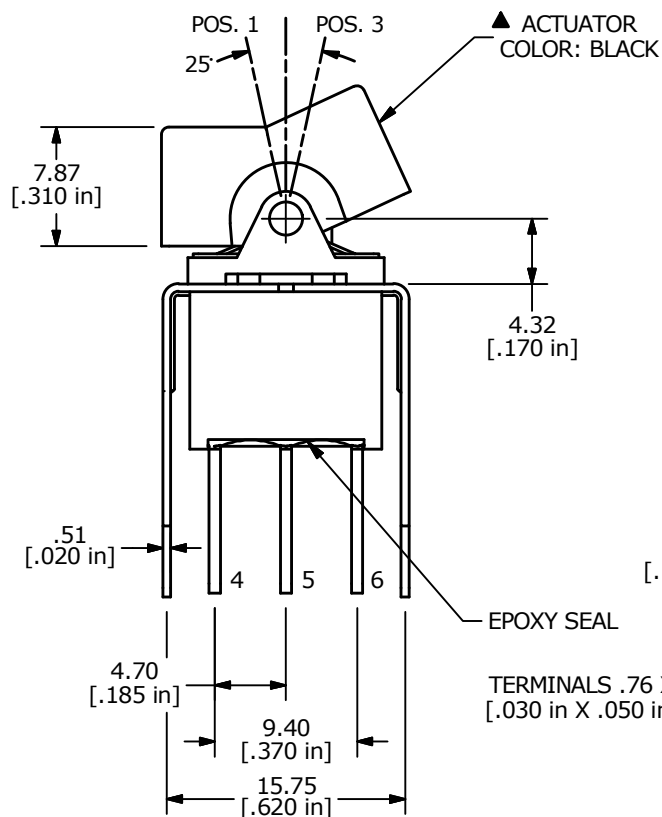
RECOMMENDED P.C. MOUNTING



▲ SWITCH FUNCTION		
POS. 1	POS. 2	POS. 3
ON	NONE	ON
2-3, 5-6	N/A	2-1, 4-5



CIRCUIT: DPDT



- NOTE:
1. ALL DIMENSIONS IN MM [INCH]
 2. GENERAL TOLERANCE: X.X = ±0.4
X.XX = ±0.25
 3. TERMINAL NUMBERS FOR REF ONLY
 - ▲ 4. PLATING MATERIAL: GOLD
 5. RATING: 0.4 VOLT-AMPS MAX. @20V MAX. AC OR DC
 6. ELECTRIC LIFE: 30,000 MAKE-AND-BREAK CYCLES AT FULL LOAD.
 7. INSULATION RESISTANCE: 1,000 MEGA-OHM MIN.
 8. DIELECTRIC STRENGTH: 1,000 V RMS @SEA LEVEL.
 9. OPERATING TEMP.: -30°C to 85°C
 10. ▲ DENOTES CRITICAL PARAMETER.

D	23890	UPDATED POSITION CALLOUT	5/10/19	MW
C	23153	UPDATED POSITION LABELING	1/3/18	MJR
B	22709	UPDATED LAYOUT AND TERMINALS	2/20/17	MJR
REV	PCR NO	DESCRIPTION	DATE	BY



TITLE 300AWDP1J1BLKVS3RE				
SCALE 2:1	DATE 10/11/2001	DR CJB	DWG T301024	REV D