

Product Change Notification

PCN-IFC-945-2017

Business Unit	Product Line Code	Type of Change	Action	Date of Issue
IFC - Industrial Field Connectivity	BF6	Product Change Notification	Notify Distributors and Field	9/22/2017

The following Phoenix Contact products have been modified. Existing specifications will be met or exceeded. Please review and acknowledge this document and inform your personnel as needed.

Description for Product Change Notification

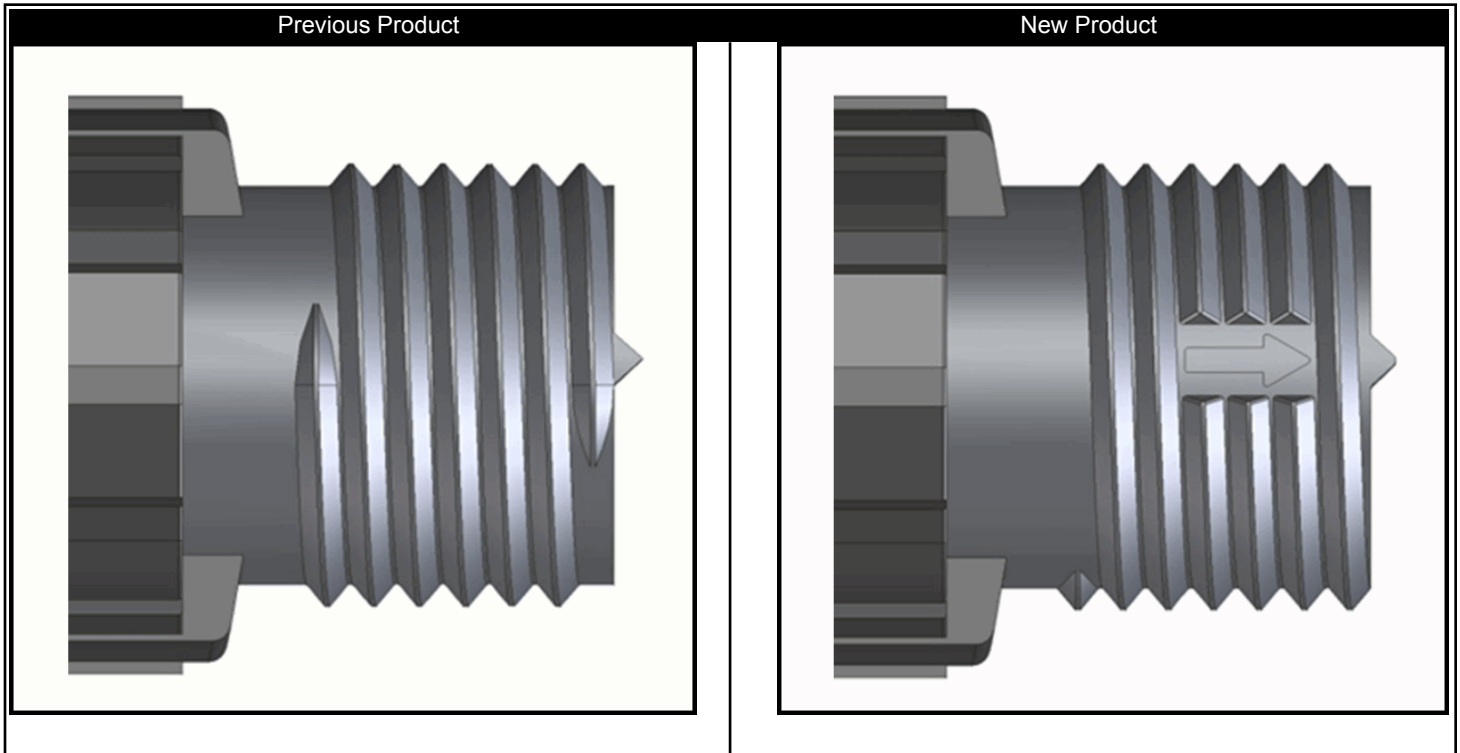
An arrow indicator has been added in the threaded region to make it easier to locate the correct position between the splicing body and flange. In addition, the flange for this item has been modified slightly for the benefit of our production, but has no impact on form, fit, or function. There are no changes to any of the electrical or mechanical characteristics.

Stock Status

Can existing stock still be used?	Yes
Is mixture of stock acceptable?	No

Transaction Dates

Date modification goes into effect from Germany:	1/1/2018
Expected first shipment (from Phoenix Contact) of the modified products(s):	1/1/2018





Phoenix Contact Inc.
P.O. BOX 4100
Harrisburg, PA 17111-0100
Phone: 717-944-1300
Fax: 717-944-1625

Product Change Notification

Should you have any issues with the timeline or content of this product change, please contact Phoenix Contact using the information below. Customers should acknowledge receipt of the PCN within 30 days of delivery of the PCN; provided, however, that the failure to acknowledge receipt does not affect the product change or the effective date thereof.

Contact Info:

Dean W Smith
dwsmith@phoenixcon.com

Thank you,

A handwritten signature in black ink that reads 'Loreen Katz' with a long horizontal stroke extending to the right.

Loreen Katz

Product Marketing Manager ICT Field



Phoenix Contact Inc.
P.O. BOX 4100
Harrisburg, PA 17111-0100
Phone: 717-944-1300
Fax: 717-944-1625

Product Change Notification

Part #	Type Description
1642140	Q 0,75/4IDC/18-18KU-KU BK