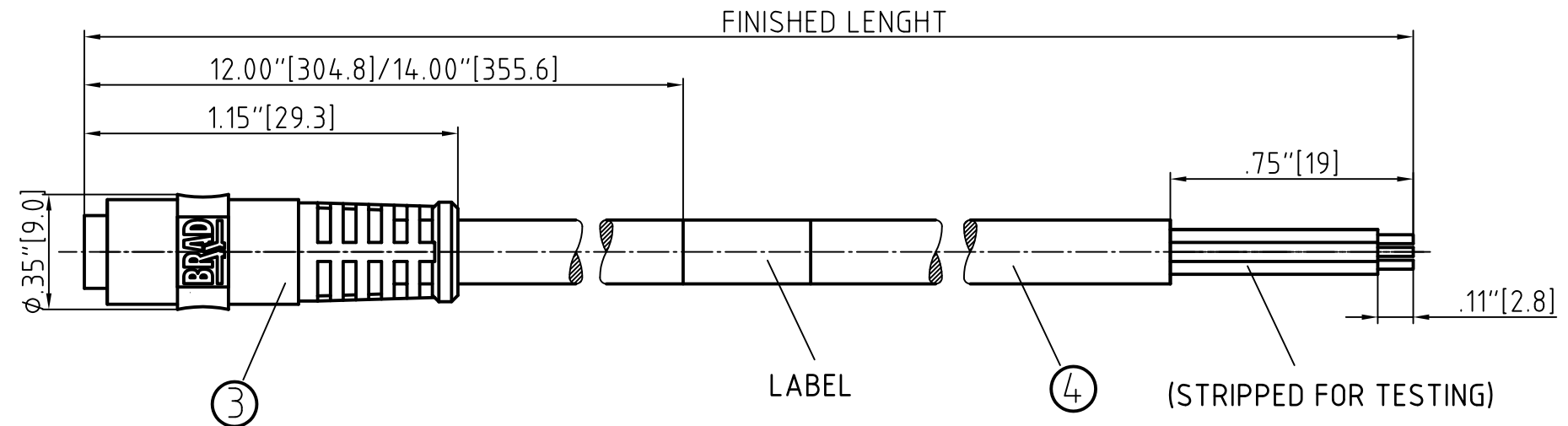
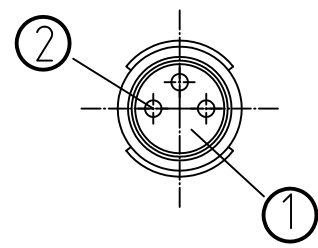


FACE VIEW



FEMALE FACE VIEW	
3-POLE	4-POLE
1 BROWN 3 BLUE 4 BLACK	1 BROWN 2 WHITE 3 BLUE 4 BLACK

POLE	MATERIAL NUMBER	ENGINEERING NUMBER	FINISHED LENGHT IN/MM
3	1200885007	503000E03M020	6.56' +3.50" -0 [2.0M +88.9 -0]
3	1200885010	503000E03M050	16.40' +6.50" -0 [5.0M +165.1 -0]
3	1200888004	503000E03M100	32.81' +12.50" -0 [10.0M +317.5 -0]

CONNECTOR SPECIFICATION:	
VOLTAGE RATING	3-4POL:60V/AC 75V/DC
AMPERAGE RATING	3 AMPS
PROTECTION	IP65
OPERATING TEMPERATURE	-30°C TO +80°C (STATIC)
UL CERTIFICATIONS	UL listed, File #E152210
CSA CERTIFICATIONS	CSA CERTIFIED, File LR6837

ITEM	COMPONENT	MATERIAL	FINISH
1	INSERT	POLYURETHANE (PUR)	BLACK
2	CONTACT SOCKET	COPPER ALLOY	GOLD OVER NICKEL
3	OVERMOLD	PVC	YELLOW
4	CABLE 3x0.25 (24AWG) (COPPER STRANDING) 3 CONDUCT. 300V	JACKET: PVC	BLACK

DESCRIPTION EC NO.: WEU2010-0305 DRWN: REISSNER 2010/01/27 CH'KD: FP APPR: NSTAUDIG 2010/02/01 REV 1	QUALITY SYMBOLS ▽ = 0 ▽/C = 0	GENERAL TOLERANCES (UNLESS SPECIFIED) mm INCH 4 PLACES ±--- ±--- 3 PLACES ±--- ±--- 2 PLACES ±--- ±.01 1 PLACE ±0.3 ±--- ANGULAR ± --- °	DIMENSION STYLE IN/MM DRAWN BY DATE REISSNER 2010/01/27 CHECKED BY DATE FP 2010/01/27 APPROVED BY DATE NSTAUDIG 2010/02/01	SCALE 2:1 DESIGN UNITS METRIC THIRD ANGLE PROJECTION
	DRAFT WHERE APPLICABLE MUST REMAIN WITHIN DIMENSIONS		SEE TABLE	NC 3P FE STR SNAP 24AWG PVC
	SIZE A3		THIS DRAWING CONTAINS INFORMATION THAT IS PROPRIETARY TO MOLEX INCORPORATED AND SHOULD NOT BE USED WITHOUT WRITTEN PERMISSION	
	MOLEX INCORPORATED		DOCUMENT NO. SD-120088-010	SHEET NO. 1