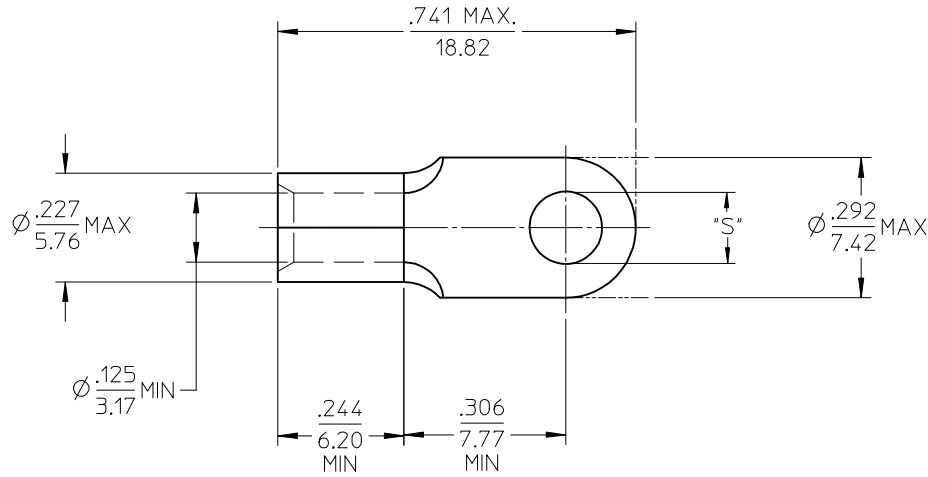
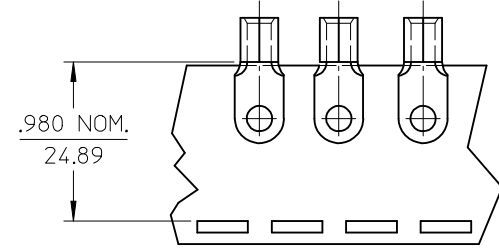


MATERIAL NO. LOOSE PIECE	ENG. NO.	MATERIAL NO. TAPE MOUNTED	ENG. NO.	STUD SIZE	±.003 *S*	STOCK THICKNESS
191930126	C-336-04	-----	-----	4	.119	.040 (1.02)
191930128	C-336-06	191930129	C-336-06T	6	.146	
191930130	C-336-08	191930131	C-336-08T	8	.173	



SALES DRAWING

- NOTE(S):
 1. MATERIAL: COPPER
 2. PLATING: ELECTROPLATE TIN
 3. ALL DIMENSIONS IN INCHES/(MM).
 4. WIRE SIZE: 12-10 AWG
 4.0-6.0 MM²

REVISED/UPDATE TO MX STDS EC NO: ETC2003-0315 DRWN:DMYRICK 2003/08/20 CHKD:HEB 2003/08/21 APPR:RDEROSS 2003/08/21	QUALITY SYMBOLS	GENERAL TOLERANCES (UNLESS SPECIFIED)	SCALE 4:1	DESIGN UNITS INCH	THIRD ANGLE PROJECTION	REVISE ON CAD ONLY																								
	 	<table border="1"> <thead> <tr> <th></th> <th>mm</th> <th>INCH</th> </tr> </thead> <tbody> <tr> <td>4 PLACES</td> <td>± ---</td> <td>± ---</td> </tr> <tr> <td>3 PLACES</td> <td>± ---</td> <td>± .005</td> </tr> <tr> <td>2 PLACES</td> <td>± 0.13</td> <td>± .01</td> </tr> <tr> <td>1 PLACE</td> <td>± 0.25</td> <td>± ---</td> </tr> </tbody> </table>		mm	INCH	4 PLACES	± ---	± ---	3 PLACES	± ---	± .005	2 PLACES	± 0.13	± .01	1 PLACE	± 0.25	± ---	<table border="1"> <thead> <tr> <th colspan="2">DIMENSION STYLE</th> </tr> <tr> <th>IN/MM</th> <th>TITLE</th> </tr> </thead> <tbody> <tr> <td>DRAWN BY DLM</td> <td>DATE 03/06/13</td> </tr> <tr> <td>CHECKED BY HEB</td> <td>DATE 03/06/13</td> </tr> <tr> <td>APPROVED BY RWD</td> <td>DATE 03/06/13</td> </tr> </tbody> </table>	DIMENSION STYLE		IN/MM	TITLE	DRAWN BY DLM	DATE 03/06/13	CHECKED BY HEB	DATE 03/06/13	APPROVED BY RWD	DATE 03/06/13	RING TONGUE TERMINAL VERSAKRIMP 12-10 AWG	
			mm	INCH																										
		4 PLACES	± ---	± ---																										
3 PLACES	± ---	± .005																												
2 PLACES	± 0.13	± .01																												
1 PLACE	± 0.25	± ---																												
DIMENSION STYLE																														
IN/MM	TITLE																													
DRAWN BY DLM	DATE 03/06/13																													
CHECKED BY HEB	DATE 03/06/13																													
APPROVED BY RWD	DATE 03/06/13																													
A	DRAFT WHERE APPLICABLE MUST REMAIN WITHIN DIMENSIONS	ANGULAR ±1/2°	MOLEX INCORPORATED		MATERIAL NO. (SEE CHART)	DOCUMENT NO. SD-19193-025	SHEET NO. 1 OF 1																							
THIS DRAWING CONTAINS INFORMATION THAT IS PROPRIETARY TO MOLEX INCORPORATED AND SHOULD NOT BE USED WITHOUT WRITTEN PERMISSION																														