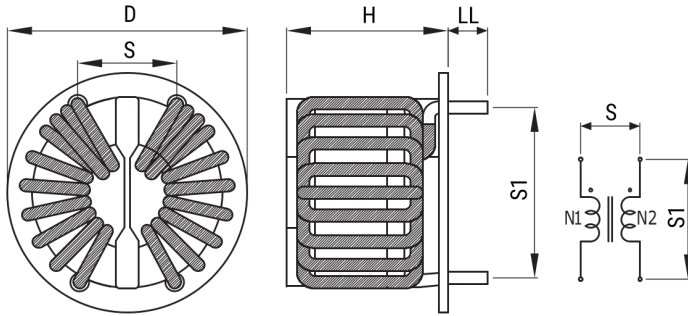


SC-30-12JH

Aliases (UALSC3012JH000)

KEMET, SC-JH, AC Line Filters, Common Mode, 1.2 mH



Click [here](#) for the 3D model.

Dimensions

D	65mm MAX
H	40mm MAX
LL	4.6mm +/-1.5mm
S	55mm NOM
S1	20mm NOM
Wire Size	2.6mm

Packaging Specifications

Packaging	Tray
Packaging Quantity	60
Component Weight	188 g

General Information

Series	SC-JH
Style	Through-Hole
RoHS	Yes
Notes	Lead Spacing (S/S1) Are For Reference Only.
Miscellaneous	Temperature Rise Maximum: 40 K.
Core	Mn-Zn Ferrite

Specifications

Voltage AC	250 VAC
Inductance	1.2 mH (100 kHz)
Current	30 A
Temperature Range	-25/+105°C
DC Resistance	6 mOhms