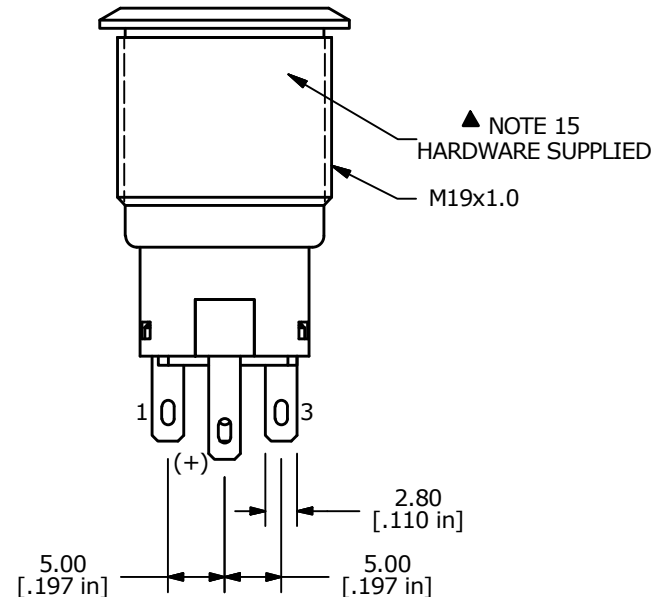
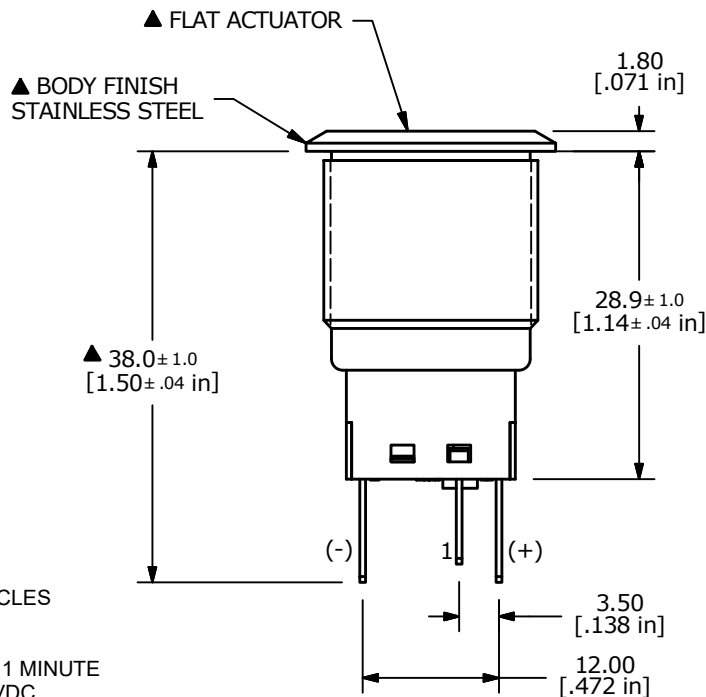
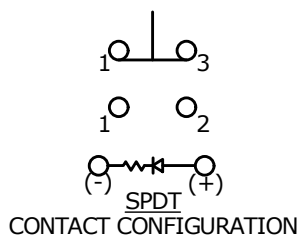
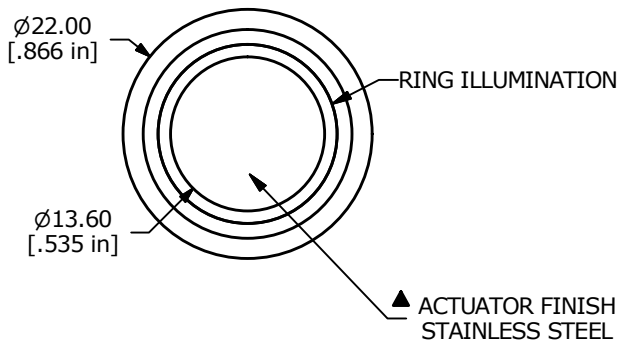


| SWITCH FUNCTION |        |
|-----------------|--------|
| POS. 1          | POS. 2 |
|                 |        |
| ON              | ON     |
| 1-3             | 1-2    |

(ON) = MOMENTARY



NOTE:

1. ALL DIMENSIONS IN MM [INCH]
2. GENERAL TOLERANCE: X.X=±0.4  
X.XX=±0.25
3. TERMINAL NUMBERS FOR REF ONLY
- ▲ 4. CONTACT MATERIAL: SILVER
5. RATING: 2A 24VDC
6. ELECTRIC LIFE: 50,000 MAKE-AND-BREAK CYCLES AT FULL LOAD.
7. INSULATION RESISTANCE: 1,000 MΩ MIN.
8. DIELECTRIC STRENGTH: 2,000 VAC MIN. FOR 1 MINUTE
9. CONTACT RESISTANCE: 50mΩ MAX. @ 1A 12VDC
10. OPERATING TEMP.: -20°C to 55°C
- ▲ 11. TRAVEL: 2.8mm
12. ▲ DENOTES CRITICAL PARAMETER.
- ▲ 13. LAMP VOLTAGE: 24V
14. INGRESS PROTECTION: IP67
15. HARDWARE SUPPLIED: O-RING AND HEXNUT
- ▲ 16. ILLUMINATION COLOR: GREEN



|     |        |                              |         |     |
|-----|--------|------------------------------|---------|-----|
| B   | 23599  | UPDATED RATING TO 2A @ 24VDC | 10/9/18 | MJR |
| A   | 20718  | RELEASE FOR PRODUCTION       | 8/22/12 | rc  |
| REV | PCR NO | DESCRIPTION                  | DATE    | BY  |

|                     |                |       |                     |       |
|---------------------|----------------|-------|---------------------|-------|
| TITLE PV4F230SS-335 |                |       |                     |       |
| SCALE 3:2           | DATE 8/22/2012 | DR rc | DWG 52-PV4F230SS335 | REV B |

THE INFORMATION CONTAINED IN THIS DOCUMENT IS PROPRIETARY TO E-SWITCH AND IS NOT TO BE COPIED OR TRANSFERRED