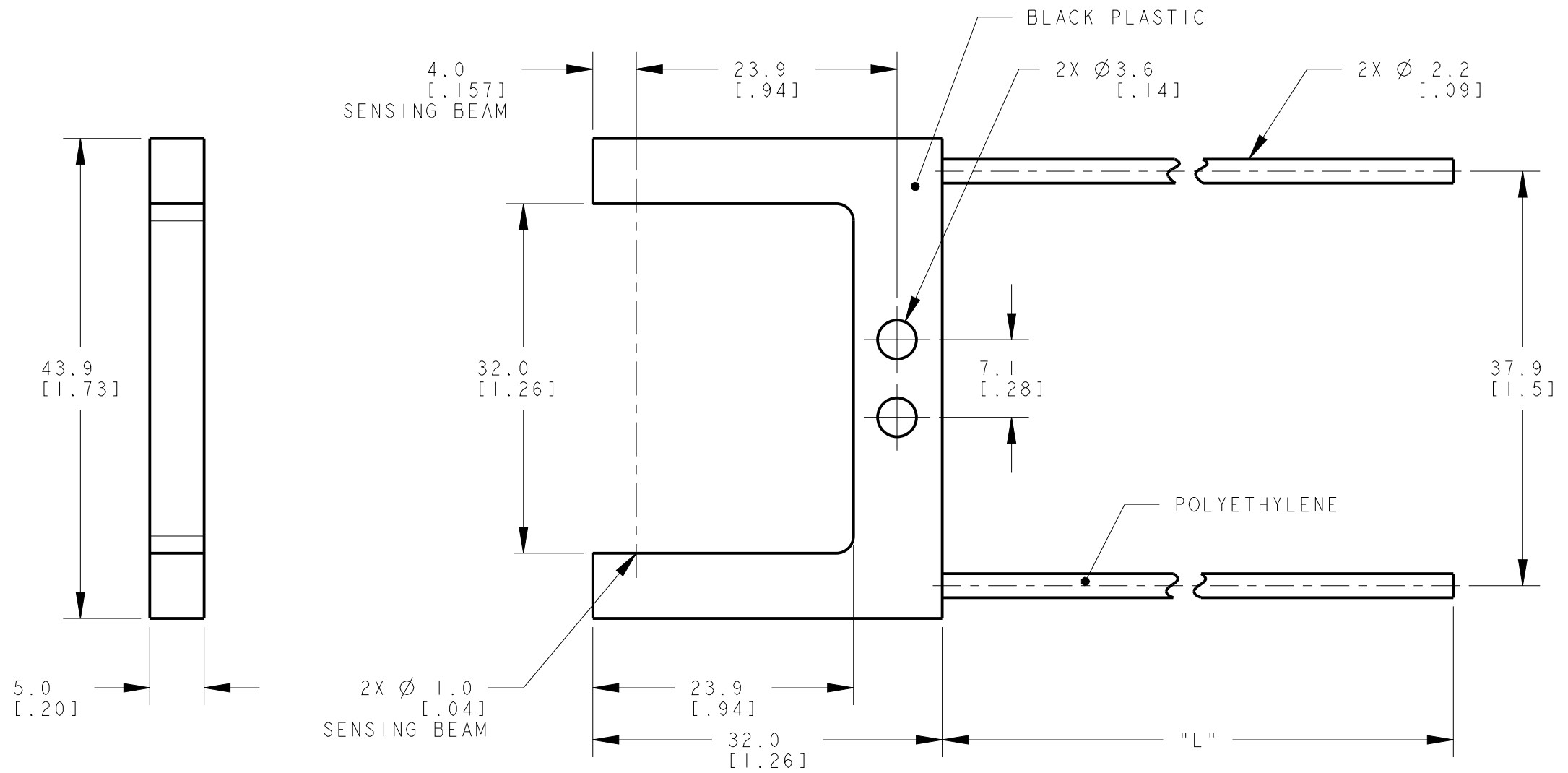


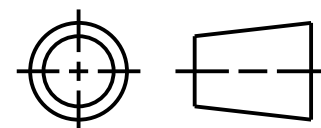
MODEL NO.	"L"	P/N
PDIS46UM32	2000 [79]	48073
PDIS48UM32	2438 [96]	83378
PDIS415UM32	5000 [196]	88234



NOTES:  
 1. ALL DIMENSIONS ARE MILLIMETERS [INCHES] UNLESS OTHERWISE NOTED.  
 2. REFER TO "www.bannerengineering.com" FOR ADDITIONAL DATA AND SPECIFICATIONS.

This drawing is the property of BANNER ENGINEERING CORP. Any use or reproduction, in any form, without prior written permission of Banner is prohibited. © 2015 Banner Engineering Corp.

THIRD ANGLE PROJECTION



**BANNER** BANNER ENGINEERING CORP.  
 www.bannerengineering.com

TITLE  
**PDIS4 M32 SERIES UNTERMINATED**

SIZE B DRAWING NO. **192768** REV. **A**

SCALE 2:1 SHEET 1 OF 1

CREO