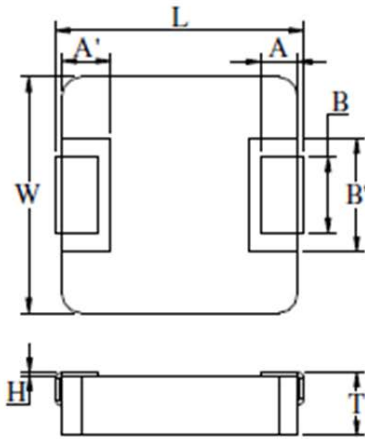


■ Outline Dimensions



Code	Dimensions (mm)
L	4.85 ± 0.35
W	4.7 ± 0.2
T	2.8 ± 0.2
A	1.0 ± 0.3
A'	1.5 ± 0.1
B	1.5 ± 0.3
B'	2.2 ± 0.2
H	$0 \sim +0.15$