

C2012C0G2W182J085AA

TDK Item Description : C2012C0G2W182JT****

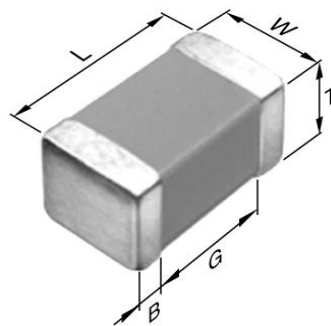


Application & Main Feature

Commercial Grade (Mid Voltage (100 to 630V))

Series

C2012 [EIA 0805]



Dimensions

| | |
|---|----------------|
| L | 2.00mm ±0.20mm |
| W | 1.25mm ±0.20mm |
| T | 0.85mm ±0.15mm |
| B | 0.20mm Min. |
| G | 0.50mm Min. |

Temperature Characteristic

C0G (-55 to 125 degC 0+/-30ppm/degC)

Rated Voltage

2W(450Vdc)

Capacitance

1.8nF

Capacitance Tolerance

J (±5%)

Q Factor

1000 Min.

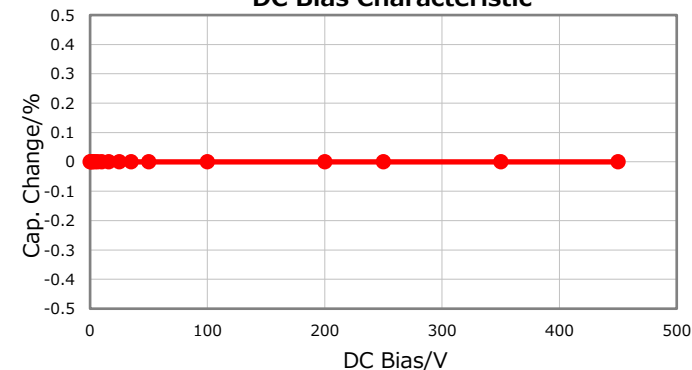
Insulation Resistance

10Gohm Min

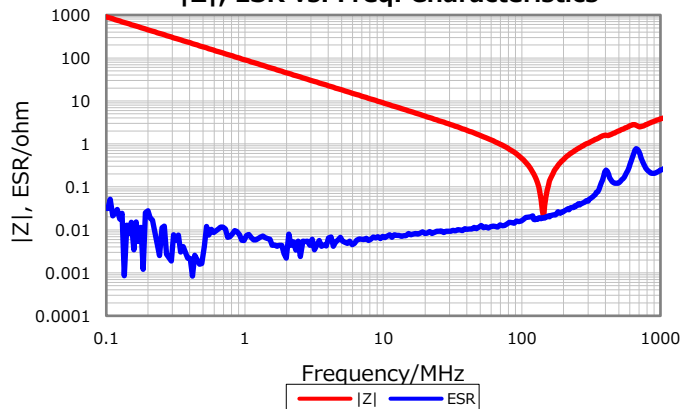
AEC-Q200

Not Applicable

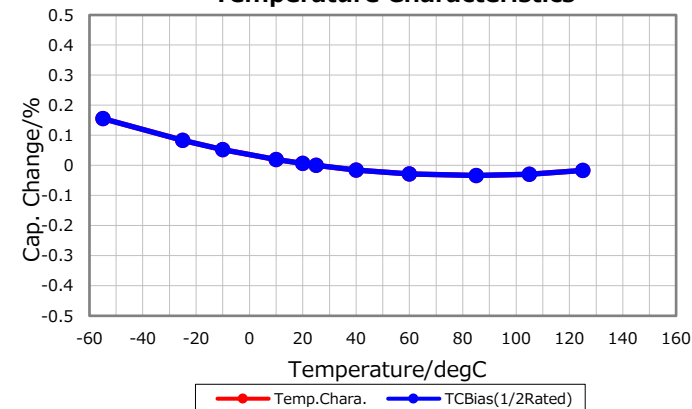
DC Bias Characteristic



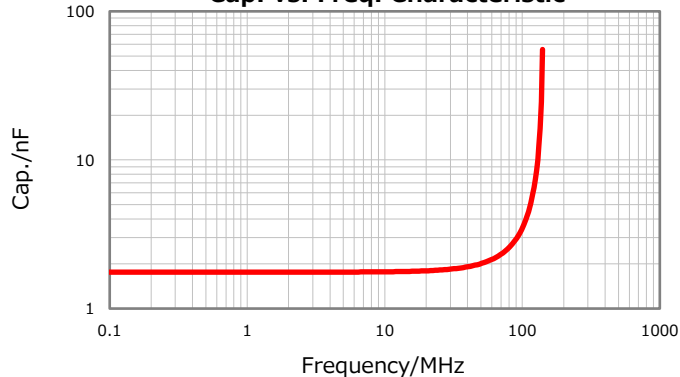
|Z|, ESR vs. Freq. Characteristics



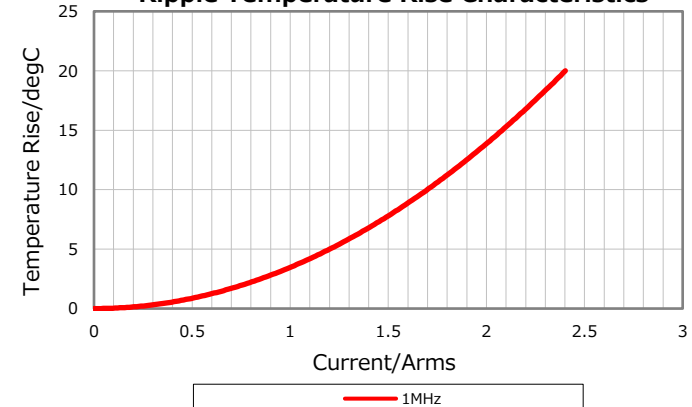
Temperature Characteristics



Cap. vs. Freq. Characteristic



Ripple Temperature Rise Characteristics



Characterization Sheet (Multilayer Ceramic Chip Capacitors)



All specifications are subject to change without notice.

July 2, 2019