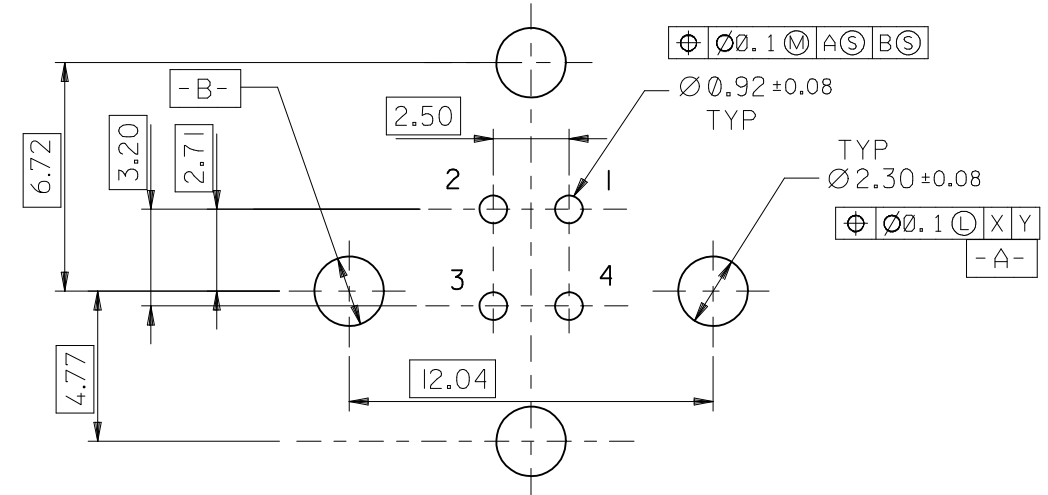
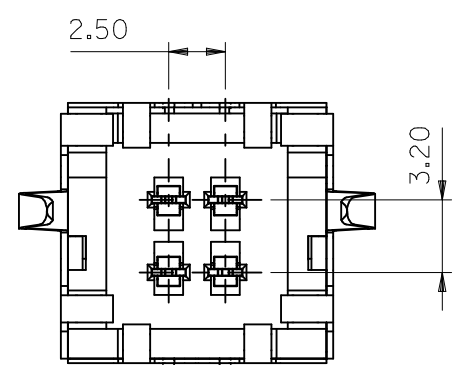
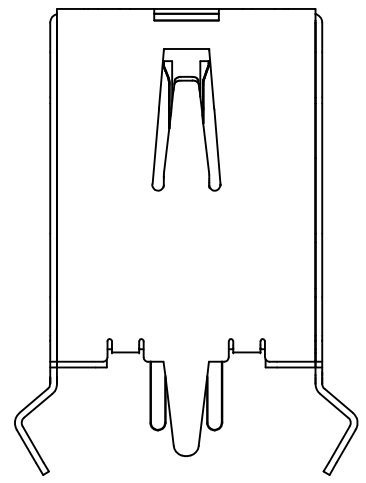
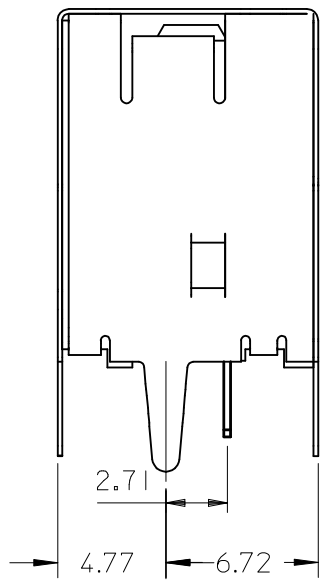
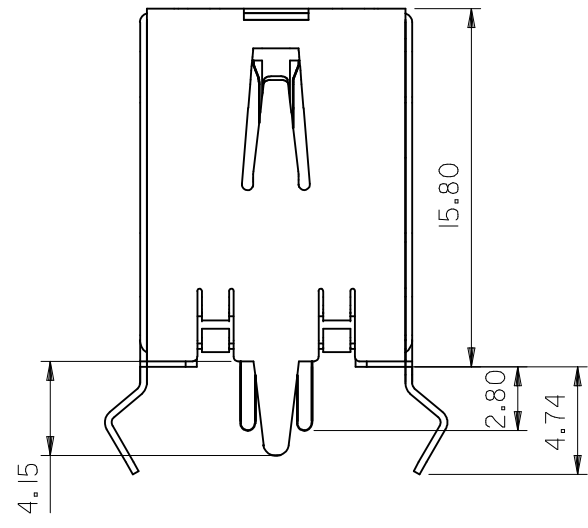


NOTES :

- MATERIAL :
 HOUSING : POLYESTER ,UL94V-0 ,
 COLOR:BLACK, OR WHITE
 TERMINAL : PHOSPHOR BRONZE (PhBr)
 METAL SHELL : COPPER ALLOY
- PLATING :
 TERMINAL :
 CONTACT AREA :
 (a) GOLD FLASH.
 (b) GOLD (Au), THICKNESS=30 MICROINCH /0.76 MICROMETER
 SOLDER TAIL : (a) TIN-LEAD (90/10) ALLOY
 ,THICKNESS=150 MICROINCH/3.8 MICROMETER
 (b) PURE TIN PLATING,
 THICKNESS=50 MICROINCH/1.27MICROMETER MINIMUM.
 UNDER PLATE : NICKEL (Ni)
 ,THICKNESS=50 MICROINCH /1.27 MICROMETER
 METAL SHELL :
 (a) TIN-LEAD (Sn-Pb) ALLOY
 ,THICKNESS=100 MICROINCH /2.54 MICROMETER
 (b) PURE TIN PLATING,
 THICKNESS =50 MICROINCH/1.27 MICROMETER MINIMUM.
 UNDER PLATE : NICKEL (Ni)
 ,THICKNESS=50 MICROINCH /1.27 MICROMETER
- RECOMMENDED PCB THICKNESS : 1.60±0.05mm
- PRODUCT SPECIFICATION : REFER TO PS-67998-0000



REVISED EC NO: DRWN:YPWU CHKD: APPR: 2009/09/01	QUALITY SYMBOLS ▽=0 ▽=0	GENERAL TOLERANCES (UNLESS SPECIFIED)		DIMENSION STYLE MM ONLY		SCALE 1:1	DESIGN UNITS METRIC	THIRD ANGLE PROJECTION		
			mm	INCH	DRAWN BY SAM SHIN	DATE 1998/12/21	USB B VERTICAL CONN			
		4 PLACES	± ---	± ---	CHECKED BY VLIN	DATE 1998/12/21				
		3 PLACES	± ---	± ---	APPROVED BY NEGA LIN	DATE 1998/12/21	MOLEX INCORPORATED			
		2 PLACES	± 0.25	± ---	MATERIAL NO. SEE TABLE	DOCUMENT NO. SD-67265-002				
1 PLACE	± 0.25	± ---	DRAFT WHERE APPLICABLE MUST REMAIN WITHIN DIMENSIONS		THIS DRAWING CONTAINS INFORMATION THAT IS PROPRIETARY TO MOLEX INCORPORATED AND SHOULD NOT BE USED WITHOUT WRITTEN PERMISSION					

REFER TO PACKING DOC. NO. PK-67265-001 PACKING: TRAY SIZE : 360*360mm (150 PIECES)				REFER TO PACKING DOC. NO. PK-67265-001 PACKING: TRAY SIZE : 360*360mm (150 PIECES)			
P/N	COLOR	CONTACT PLATING	SHELL AND SOLDER TAIL PLATING TIN LEAD PLATING	P/N	COLOR	CONTACT PLATING	SHELL AND SOLDER TAIL PLATING PURE TIN PLATING (lead-free)
67265-0000	BLACK	GOLD FLASH		67265-2000	BLACK	GOLD FLASH	
67265-0001	BLACK	0.76 MICROMETER/30 MICROINCH GOLD		67265-2001	BLACK	0.76 MICROMETER/30 MICROINCH GOLD	
67265-1000	WHITE	GOLD FLASH		67265-3000	WHITE	GOLD FLASH	
67265-1001	WHITE	0.76 MICROMETER/30 MICROINCH GOLD		67265-3001	WHITE	0.76 MICROMETER/30 MICROINCH GOLD	
REFER TO PACKING DOC. NO. PK-67265-002 PACKING: TRAY SIZE : 360*165mm (150 PIECES)				REFER TO PACKING DOC. NO. PK-67265-002 PACKING: TRAY SIZE : 360*165mm (150 PIECES)			
P/N	COLOR	CONTACT PLATING		P/N	COLOR	CONTACT PLATING	
67265-0200	BLACK	GOLD FLASH		67265-2200	BLACK	GOLD FLASH	
67265-0201	BLACK	0.76 MICROMETER/30 MICROINCH GOLD		67265-2201	BLACK	0.76 MICROMETER/30 MICROINCH GOLD	
67265-1200	WHITE	GOLD FLASH		67265-3200	WHITE	GOLD FLASH	
67265-1201	WHITE	0.76 MICROMETER/30 MICROINCH GOLD		67265-3201	WHITE	0.76 MICROMETER/30 MICROINCH GOLD	
REFER TO PACKING DOC. NO. PK-67265-003 PACKING: TUBE				REFER TO PACKING DOC. NO. PK-67265-003 PACKING: TUBE			
P/N	COLOR	CONTACT PLATING	P/N	COLOR	CONTACT PLATING		
67265-0300	BLACK	GOLD FLASH	67265-2300	BLACK	GOLD FLASH		
67265-0301	BLACK	0.76 MICROMETER/30 MICROINCH GOLD	67265-2301	BLACK	0.76 MICROMETER/30 MICROINCH GOLD		
67265-1300	WHITE	GOLD FLASH	67265-3300	WHITE	GOLD FLASH		
67265-1301	WHITE	0.76 MICROMETER/30 MICROINCH GOLD	67265-3301	WHITE	0.76 MICROMETER/30 MICROINCH GOLD		

REVISED EC NO: SH2010-0079 DRWN: YPWU CHKD: APPR: RZHANG	2009/09/01 2009/09/02 2009/10/12	QUALITY SYMBOLS =0 =0	GENERAL TOLERANCES (UNLESS SPECIFIED)		DIMENSION STYLE MM ONLY		SCALE 1:1	DESIGN UNITS METRIC	THIRD ANGLE PROJECTION			
				mm	INCH	DRAWN BY SAM SHIN	DATE 1998/12/21	TITLE USB B VERTICAL CONN				
			4 PLACES	± ---	± ---	CHECKED BY VLIN	DATE 1998/12/21					
			3 PLACES	± ---	± ---	APPROVED BY NEGA LIN	DATE 1998/12/21	MOLEX INCORPORATED				
			2 PLACES	± 0.25	± ---	MATERIAL NO.	DOCUMENT NO.					
1 PLACE	± 0.25	± ---	DRAFT WHERE APPLICABLE MUST REMAIN WITHIN DIMENSIONS		SEE TABLE		SD-67265-002		SHEET NO. 2 OF 2			
G		REV	SIZE A3		THIS DRAWING CONTAINS INFORMATION THAT IS PROPRIETARY TO MOLEX INCORPORATED AND SHOULD NOT BE USED WITHOUT WRITTEN PERMISSION							