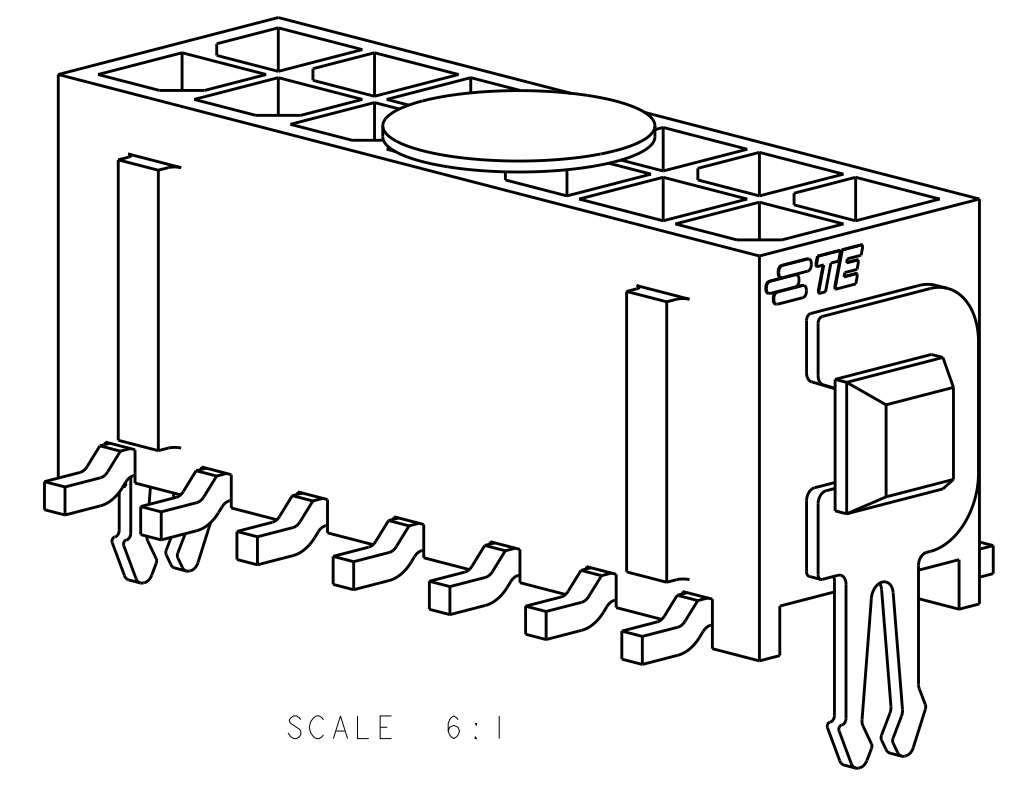
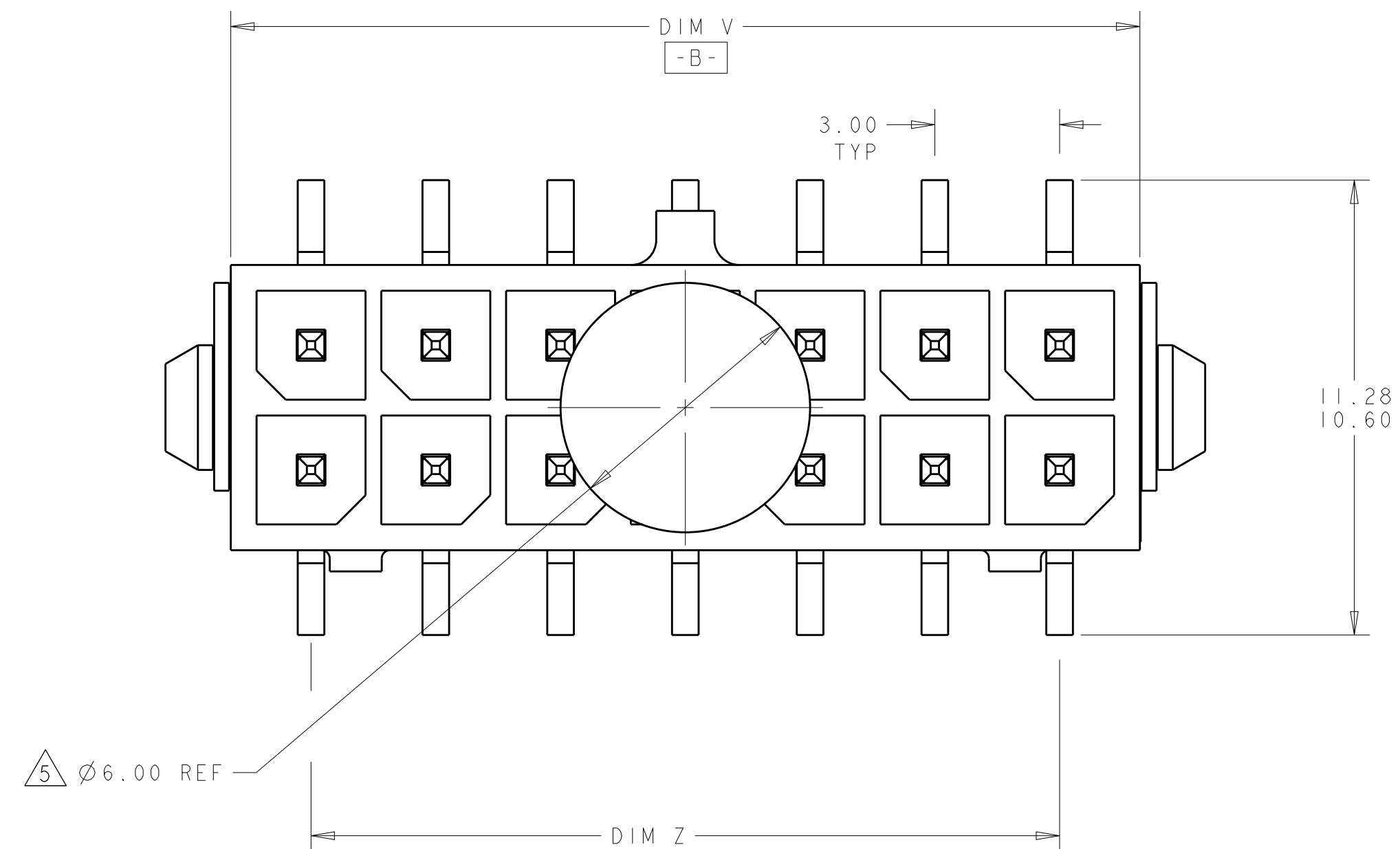
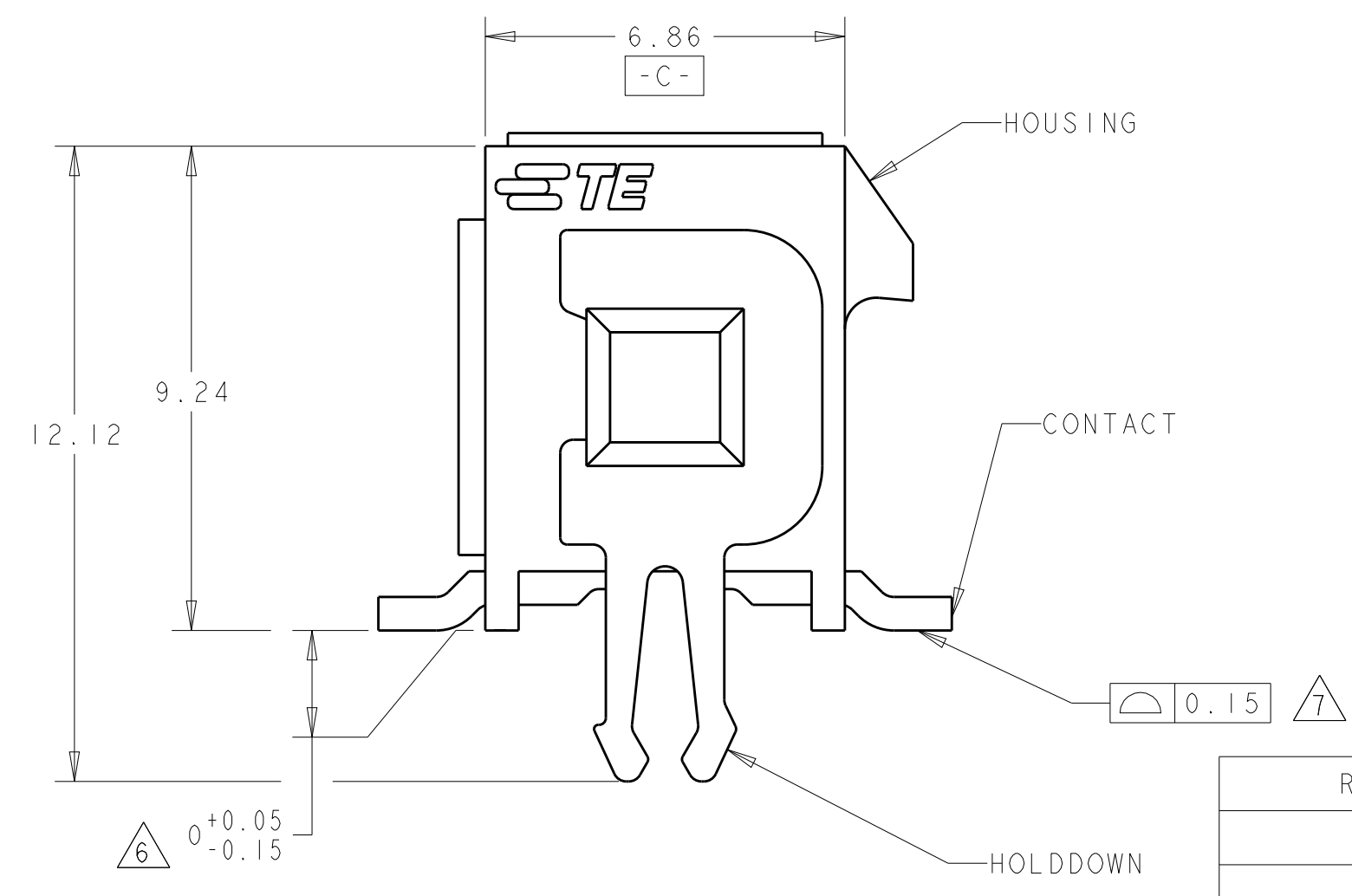
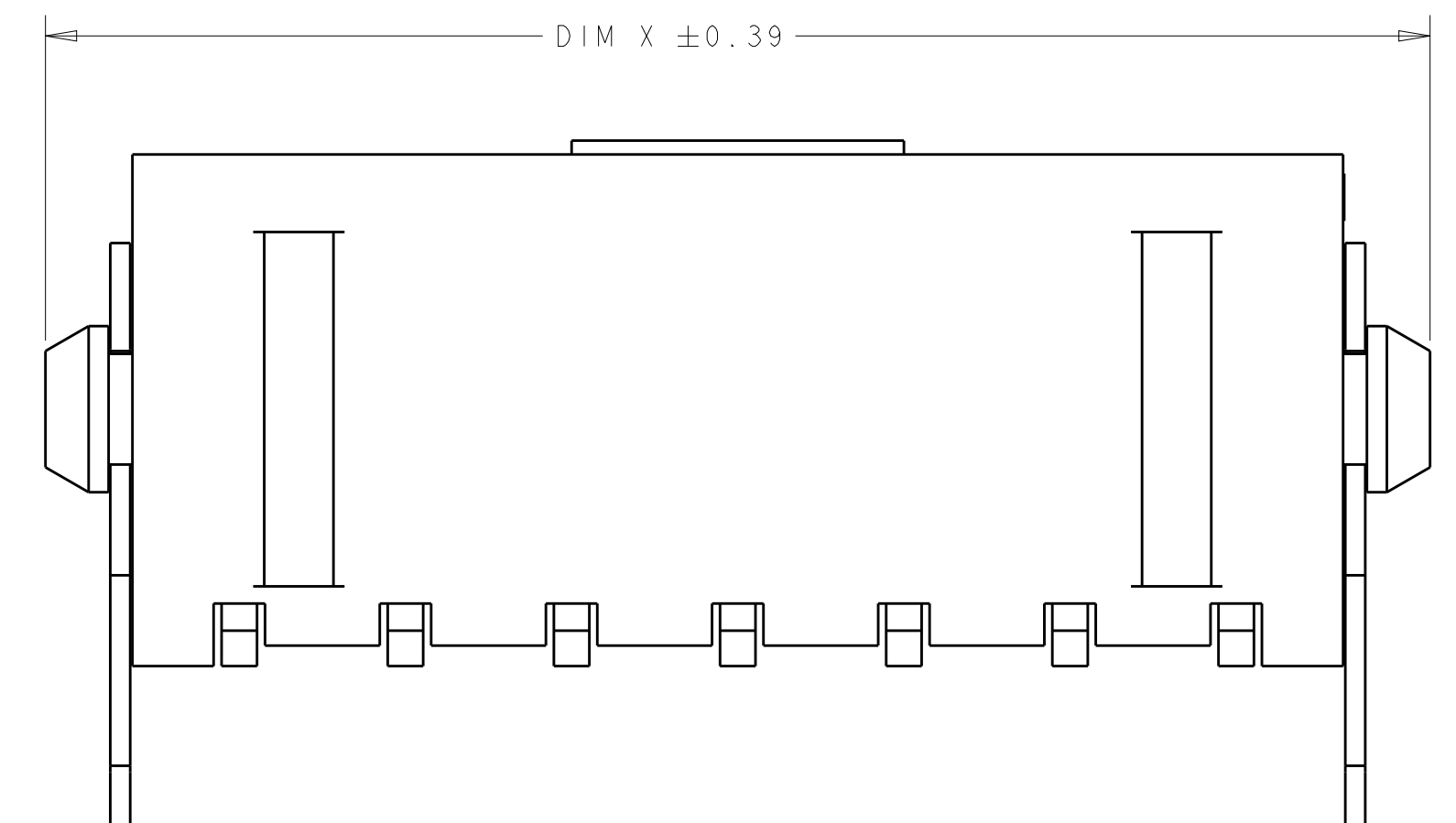


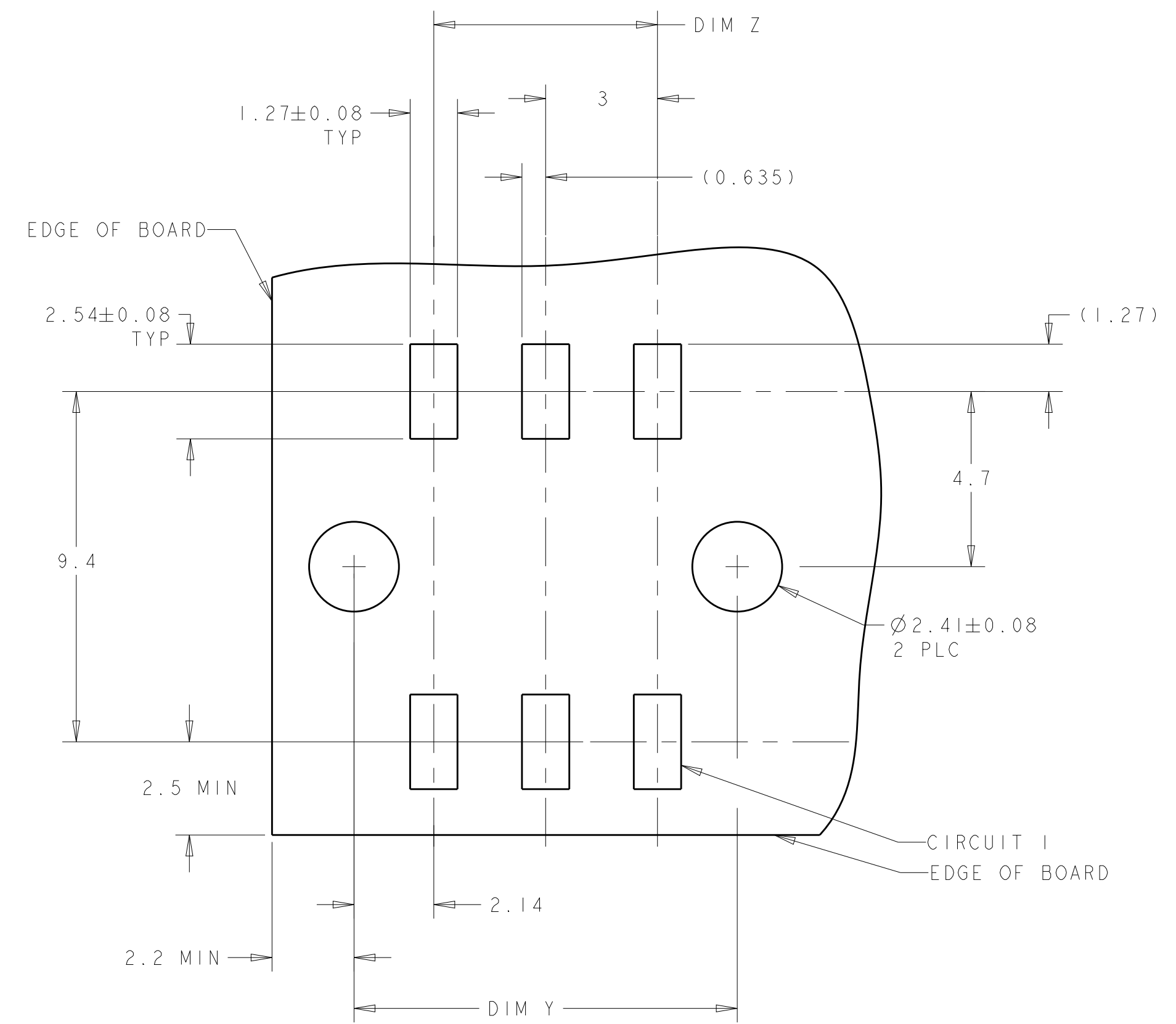
REVISIONS				
P.	LTN	DESCRIPTION	DATE	OWN APVD
K2		REVISED PER ECR-17-017609	04DEC2017	JB DZ
K3		ECO-19-006502	30APR2019	AP WS



- 1 MATERIAL:
CONTACTS - BRASS.
HOUSING - UL 94V-0 RATED HIGH TEMP NYLON, COLOR; BLACK.
HOLDDOWNS - PHOSPHOR BRONZE.
- 2 PLATING:
CONTACTS - 0.76µm MINIMUM GOLD OVER 2.54µm MINIMUM NICKEL
ON MATING AREA. 2.54µm TIN-LEAD MINIMUM OVER 2.54µm MINIMUM
ON SOLDER TAILS.
HOLDDOWNS - 2.54µm TIN-LEAD.
- 4 RECOMMENDED PC BOARD THICKNESS OF 1.57.
- 5 KAPTON VACUUM PICK UP BUTTON.
- 6 DIMENSION APPLIES TO SOLDERTAIL SURFACES
AND STANDOFF SURFACES.
- 7 ALL SOLDERTAILS.
- 8 PLATING:
CONTACTS - 0.76µm MINIMUM GOLD OVER 2.54µm MINIMUM NICKEL
ON MATING AREA. 2.54µm MATTE TIN MINIMUM OVER 2.54µm MINIMUM
ON SOLDER TAILS.
HOLDDOWNS - 2.54µm MATTE TIN.



UNREEL DIRECTION
OF REVERSE TAPED



REVERSE TAPED	8	21.86	22.30	18.00	25.00	14	7-794635-4
TAPED	8	36.86	37.30	33.00	40.00	24	5-794635-4
TAPED	8	33.86	34.30	30.00	37.00	22	5-794635-2
TAPED	8	30.86	31.30	27.00	34.00	20	5-794635-0
TAPED	8	27.86	28.30	24.00	31.00	18	4-794635-8
TAPED	8	24.86	25.30	21.00	28.00	16	4-794635-6
TAPED	8	21.86	22.30	18.00	25.00	14	4-794635-4
TAPED	8	18.86	19.30	15.00	22.00	12	4-794635-2
TAPED	8	15.86	16.30	12.00	19.00	10	4-794635-0
TAPED	8	12.86	13.30	9.00	16.00	8	3-794635-8
TAPED	8	9.86	10.30	6.00	13.00	6	3-794635-6
TAPED	8	6.86	7.30	3.00	10.00	4	3-794635-4
LOOSE PIECE	8	3.86	4.30	-	7.00	2	3-794635-2
SUPERSEDED BY 5-794635-4	2	36.86	37.30	33.00	40.00	24	5-794635-4
SUPERSEDED BY 5-794635-2	2	33.86	34.30	30.00	37.00	22	5-794635-2
SUPERSEDED BY 5-794635-0	2	30.86	31.30	27.00	34.00	20	5-794635-0
SUPERSEDED BY 4-794635-8	2	27.86	28.30	24.00	31.00	18	4-794635-8
SUPERSEDED BY 4-794635-6	2	24.86	25.30	21.00	28.00	16	4-794635-6
SUPERSEDED BY 4-794635-4	2	21.86	22.30	18.00	25.00	14	4-794635-4
SUPERSEDED BY 4-794635-2	2	18.86	19.30	15.00	22.00	12	4-794635-2
SUPERSEDED BY 4-794635-0	2	15.86	16.30	12.00	19.00	10	4-794635-0
SUPERSEDED BY 3-794635-8	2	12.86	13.30	9.00	16.00	8	3-794635-8
SUPERSEDED BY 3-794635-6	2	9.86	10.30	6.00	13.00	6	3-794635-6
SUPERSEDED BY 3-794635-4	2	6.86	7.30	3.00	10.00	4	3-794635-4
SUPERSEDED BY 3-794635-2	2	3.86	4.30	-	7.00	2	3-794635-2
PACKAGING	FINISH	DIM V	DIM Y	DIM Z	DIM X	NO. OF POSN.	PART NUMBER

THIS DRAWING IS A CONTROLLED DOCUMENT. DIMENSIONS: mm. TOLERANCES UNLESS OTHERWISE SPECIFIED: 0 PLC ±, 1 PLC ±0.13, 2 PLC ±, 3 PLC ±, 4 PLC ±, ANGLES ±. MATERIAL: SEE TABLE. FINISH: SEE TABLE. WEIGHT: -. CUSTOMER DRAWING. DATE: 19-MAR-2003. CHK: WHITAKER, C. JONES. APVD: C. JONES. PRODUCT SPEC: 108-1836. APPLICATION SPEC: 114-13000. SIZE: A100779. SCALE: 8:1. SHEET: 1 OF 1. REV: K3. STC TE Connectivity. NAME: SURFACE MOUNT, VERTICAL, MECHANICAL HOLDDOWN, ASSEMBLY, 30 GOLD HEADER, DUAL ROW, MICRO MATE-N-LOK(TM). RESTRICTED TO: A100779C=794635.