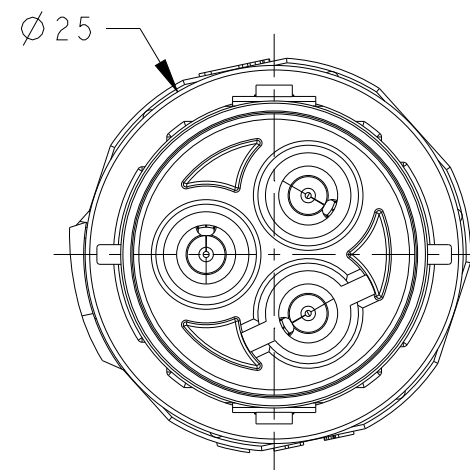
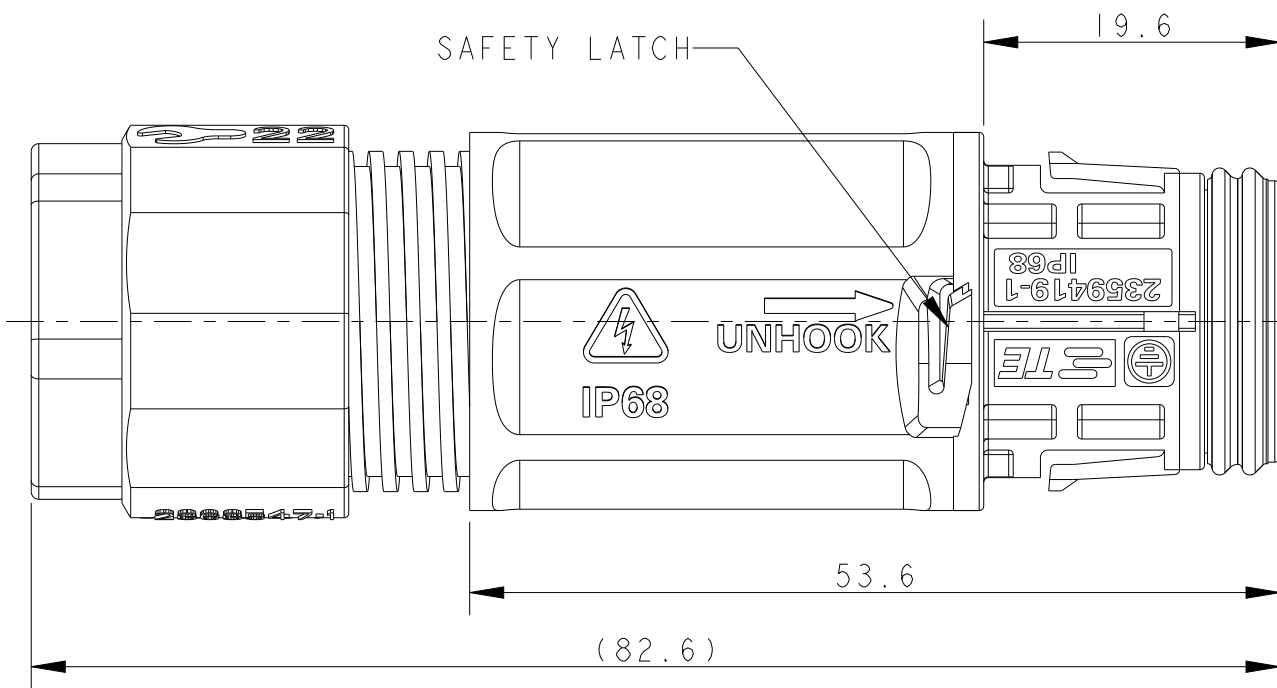


P	LTR	DESCRIPTION	DATE	DWN	APVD
1		INITIAL ISSUE	28AUG2020	SM	MZ
2		INFORMATION ADDED TO SHEET 2	03SEP2020	SM	MZ
A		PRODUCT UNDER TESTING	24NOV2020	SM	MZ
AI		RELEASED	18MAR2022	SM	MZ

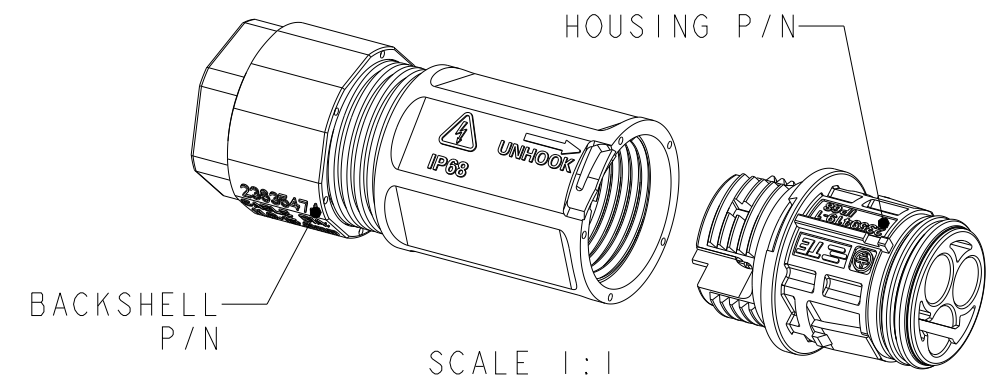
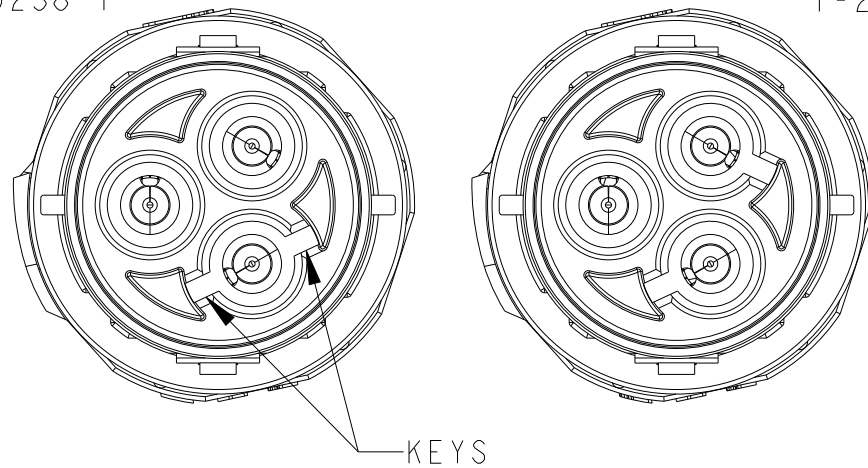


NOTES:

- MATERIALS:
PLASTICS: PBT+PC ALLOY, UL-V0, UV-FI
CONTACTS: COPPER ALLOY, TIN PLATED
- OPERATING RATINGS :
VOLTAGE (max): 600Vac Max
CURRENT (max): 25A ON 4.0mm² & 20A ON 12AWG
TEMPERATURE : -40°C TO 85°C
IP RATING : IP67 & IP68
- FOR ASSEMBLY INSTRUCTIONS, REFER APPLICATION SPECIFICATION 114-133123
- PACKAGING: PPQ 200 pcs IN TRAY

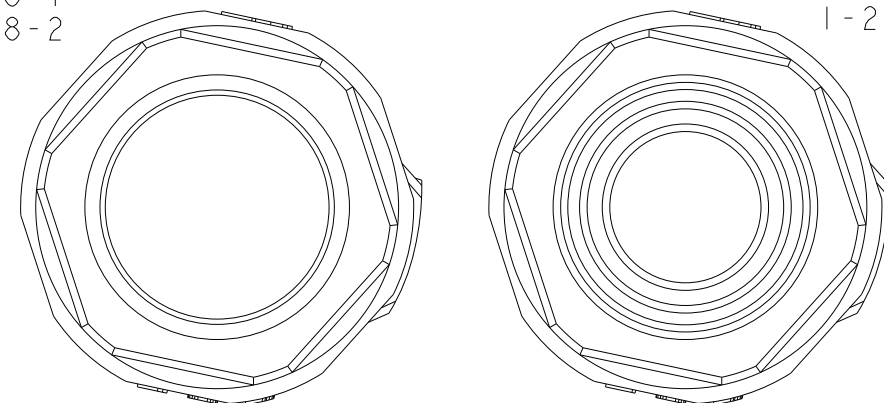
POLARIZING KEY A
2379238-1
1-2379238-1

POLARIZING KEY B
2379238-2
1-2379238-2



BACKSHELL FOR
2379238-1
2379238-2

BACKSHELL FOR
1-2379238-1
1-2379238-2



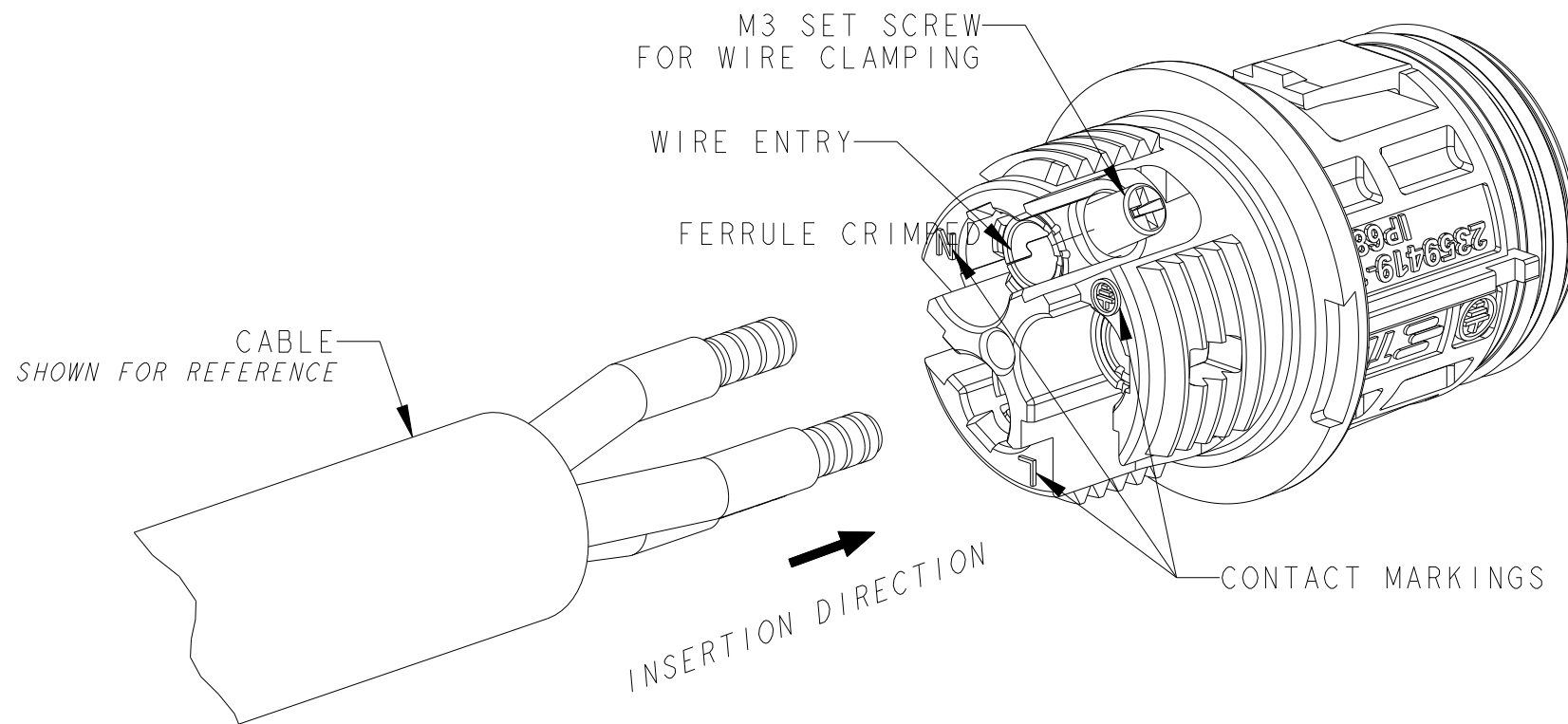
2363547-2	2359419-2	KEY B	Ø7 - Ø10	IN-LINE PIN CONNECTOR	1-2379238-2
	2359419-1	KEY A			1-2379238-1
2363547-1	2359419-2	KEY B	Ø10.5 - Ø15		2379238-2
	2359419-1	KEY A			2379238-1
BACKSHELL P/N	HOUSING ASSY P/N	POLARIZING KEY	CABLE RANGE	DESCRIPTION	PART NUMBER

THIS DRAWING IS A CONTROLLED DOCUMENT.		DWN SUBHASH. M 28AUG2020	TE Connectivity														
DIMENSIONS: mm		CHK M. ZUCCA 28AUG2020															
TOLERANCES UNLESS OTHERWISE SPECIFIED:		APVD PETER.OTT 24NOV2020	NAME NECTOR T, 3Pos, PIN CONNECTOR SCREW TYPE														
<table border="0"> <tr> <td>0 PLC</td> <td>±0.2</td> </tr> <tr> <td>1 PLC</td> <td>±0.2</td> </tr> <tr> <td>2 PLC</td> <td>±0.1</td> </tr> <tr> <td>3 PLC</td> <td>±</td> </tr> <tr> <td>4 PLC</td> <td>±</td> </tr> <tr> <td>ANGLES</td> <td>±1°</td> </tr> </table>		0 PLC	±0.2	1 PLC	±0.2	2 PLC	±0.1	3 PLC	±	4 PLC	±	ANGLES	±1°	PRODUCT SPEC 108-133123	SIZE A3	CAGE CODE 00779	DRAWING NO C-2379238
0 PLC	±0.2																
1 PLC	±0.2																
2 PLC	±0.1																
3 PLC	±																
4 PLC	±																
ANGLES	±1°																
MATERIAL		APPLICATION SPEC 114-133123	RESTRICTED TO														
FINISH		WEIGHT	SCALE 2:1		SHEET 1 OF 2												
		CUSTOMER DRAWING	REV AI														

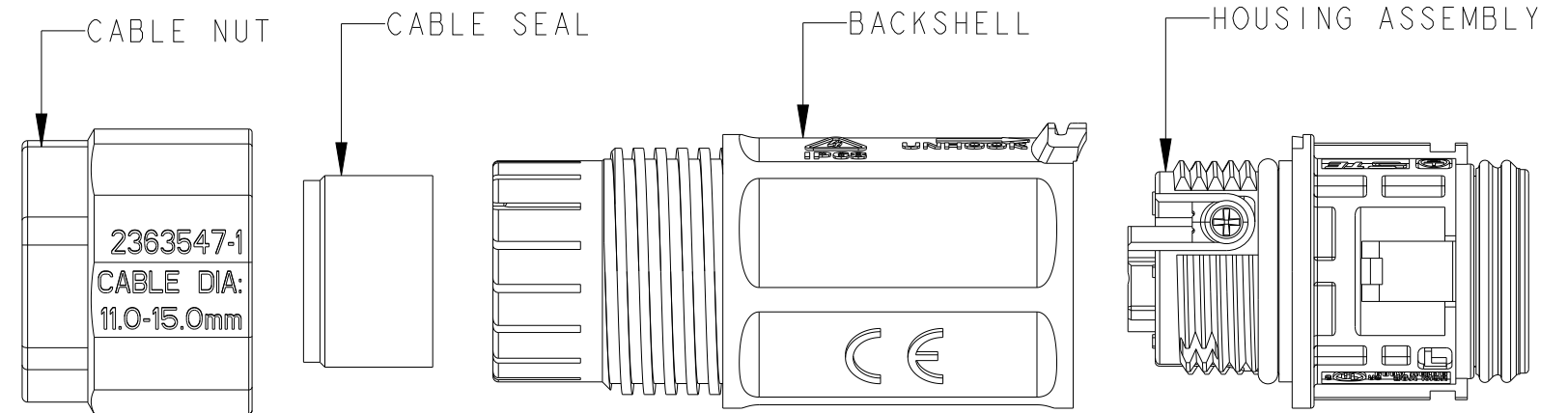
REVISIONS

P	LTR	DESCRIPTION	DATE	DWN	APVD
-	-	SEE SHEET 1	-	-	-

SCREW TERMINATION
 REFER 114-133123 FOR DETAILED INSTRUCTION
 NOT TO SCALE



EXPLODED COMPONENTS
 NOT TO SCALE



THIS DRAWING IS A CONTROLLED DOCUMENT.		DWN SUBHASH. M 28AUG2020		
DIMENSIONS: mm		CHK M. ZUCCA 28AUG2020		
TOLERANCES UNLESS OTHERWISE SPECIFIED:		APVD PETER.OTT 24NOV2020	NAME NECTOR T, 3Pos, PIN CONNECTOR SCREW TYPE	
0 PLC ±0.2 1 PLC ±0.2 2 PLC ±0.1 3 PLC ± 4 PLC ± ANGLES ±°		PRODUCT SPEC 108-133123	RESTRICTED TO	
MATERIAL -		FINISH -	APPLICATION SPEC 114-133123	SIZE A3
		WEIGHT -	CAGE CODE 00779	DRAWING NO C-2379238
		CUSTOMER DRAWING	SCALE 2:1	SHEET 2 OF 2
				REV A1