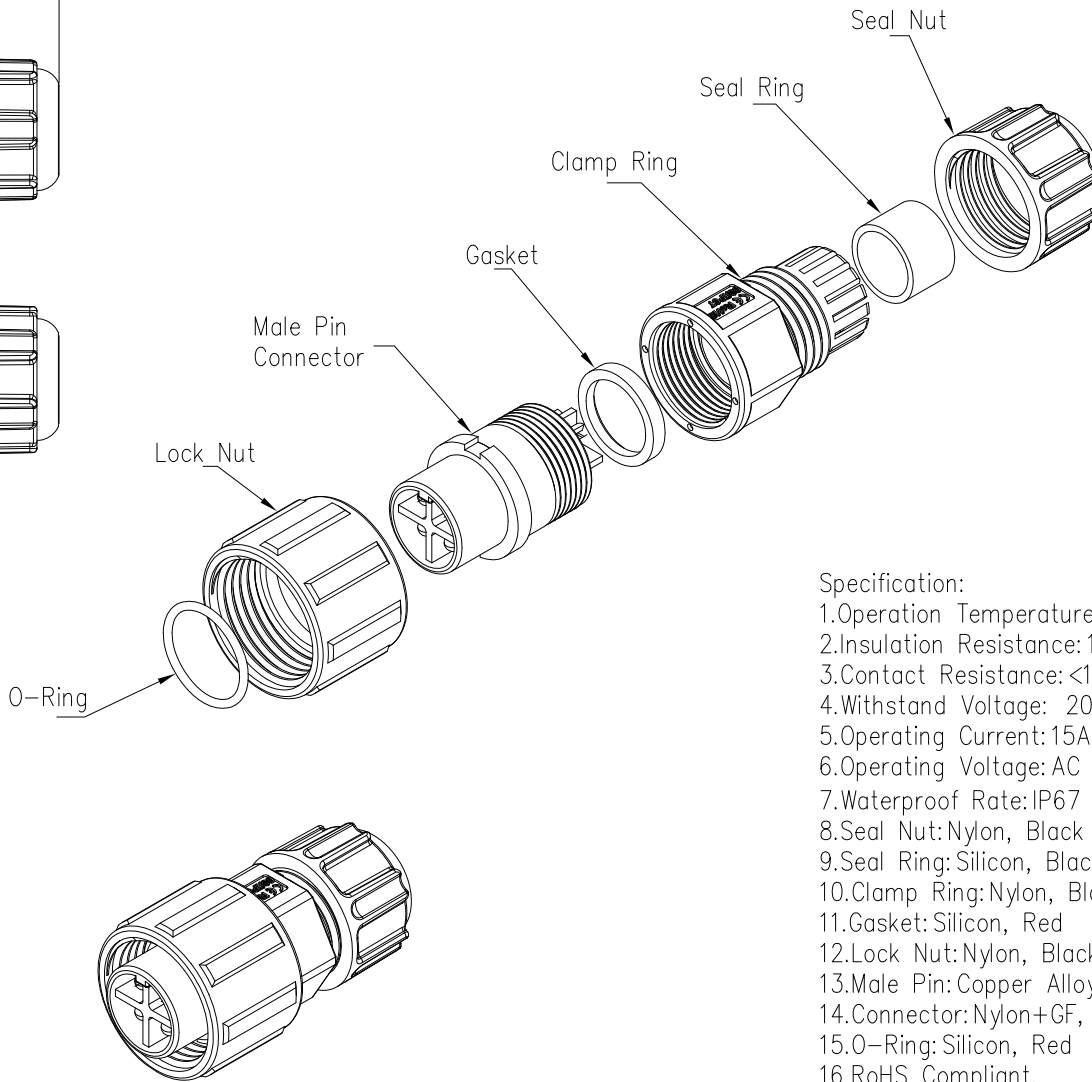
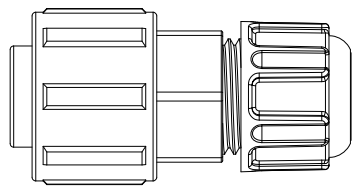
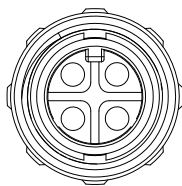
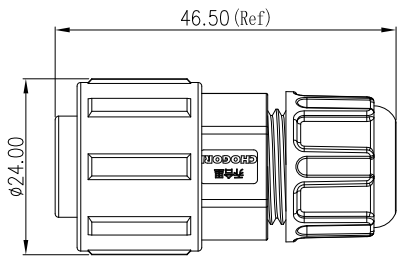
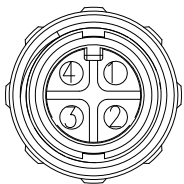


| REV. | ECN NO. | DESCRIPTION     | SIGN | DATE       |
|------|---------|-----------------|------|------------|
| C1   | N/A     | INITIAL DRAWING | Hary | 2020/05/04 |



23XXX111-XX Cable Range OD  
 01 OD:  $\phi 3.5\text{mm} \sim \phi 6.5\text{mm}$   
 02 OD:  $\phi 6.5\text{mm} \sim \phi 9.5\text{mm}$   
 Pin Number

- Specification:
1. Operation Temperature:  $-45^{\circ}\text{C} \sim 105^{\circ}\text{C}$ .
  2. Insulation Resistance:  $100\text{M}\Omega$  at DC500V.
  3. Contact Resistance:  $<10\text{m}\Omega$ .
  4. Withstand Voltage: 2000V AC
  5. Operating Current: 15A
  6. Operating Voltage: AC 300V
  7. Waterproof Rate: IP67 (Mated)
  8. Seal Nut: Nylon, Black
  9. Seal Ring: Silicon, Black.
  10. Clamp Ring: Nylon, Black
  11. Gasket: Silicon, Red
  12. Lock Nut: Nylon, Black
  13. Male Pin: Copper Alloy, Gold Plated
  14. Connector: Nylon+GF, Black
  15. O-Ring: Silicon, Red
  16. RoHS Compliant.
  17. Mating Cap: 806-00026-01



4 Pin

P/N: 23004111-XX

Pin Assignments  
Front View

|           |                 |
|-----------|-----------------|
| UNIT: mm  |                 |
| TOLERANCE |                 |
| .X        | $\pm 0.25$      |
| .XX       | $\pm 0.15$      |
| .XXX      | $\pm 0.05$      |
| ANGLES    | $\pm 1^{\circ}$ |

|                     |     |  |        |
|---------------------|-----|--|--------|
| DESCRIPTION         |     | Middle Series Screw<br>Male Plug With Male Pin |        |
| SCALE:              | 1:1 | SHEET  | 1 OF 1 |
| REV.                | C1  | SIZE   | A4     |
| * : Inspection Item |     |  |        |

**CHOGORI**<sup>®</sup>

|          |             |             |        |      |            |
|----------|-------------|-------------|--------|------|------------|
| PART NO  | 23004111-XX | DRAWN BY    | Hary   | DATE | 2020/05/04 |
| DWG NO   |             | CHECKED BY  | Mo     | DATE | 2020/05/04 |
| CUSTOMER |             | APPROVED BY | Panson | DATE | 2020/05/04 |

THIS INFORMATION IS CONFIDENTIAL AND IS DISCLOSED TO YOU ON CONDITION THAT NO FURTHER DISCLOSURE IS MADE BY YOU TO OTHER THAN CHOGORI PERSONNEL WITHOUT AUTHORIZATION FROM CHOGORI CORP.