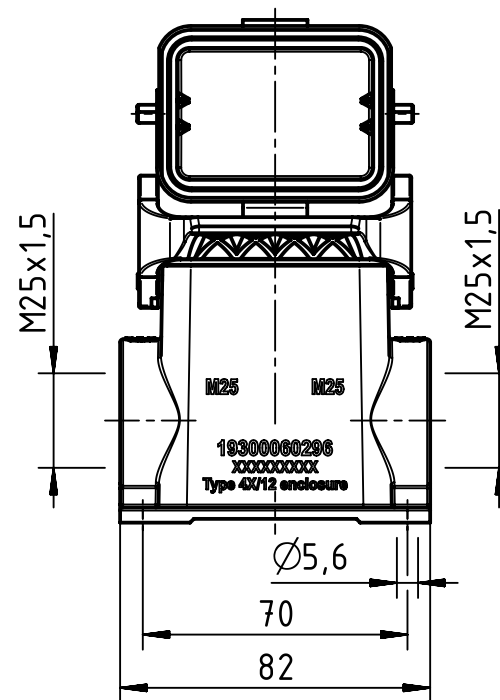
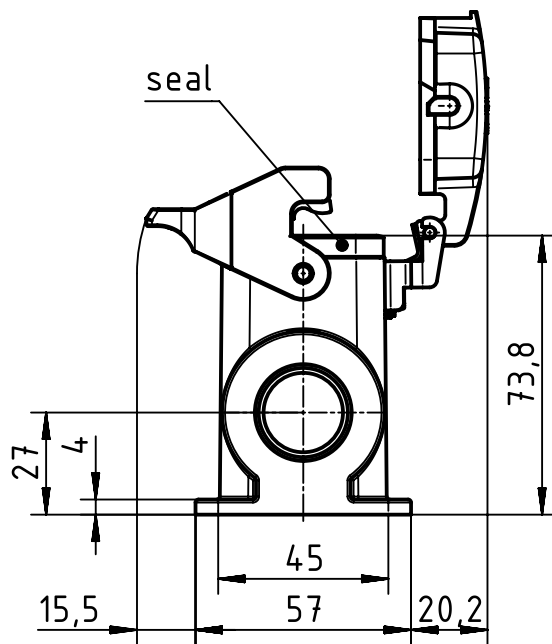
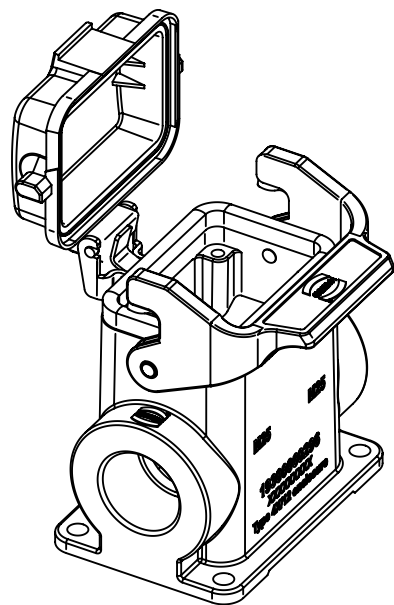


A

B

C

D



	All rights reserved Department EL PD	All Dimensions in mm Original Size DIN A4	Scale 1:2	Free size tol.	Ref. Sub.
		Created by 102700	Inspected by SUNDERMEIER	Standardisation GARSKE	Date 2020-02-19
HARTING Electric GmbH & Co. KG D-32339 Espelkamp		Title Han B Base SM HC plastic cover M25			Doc-Key / ECM-Nr. 100207207/UGD/004/C 500000166905
		Type TB	Number 19 30 006 0296		Rev. C Page 1/1