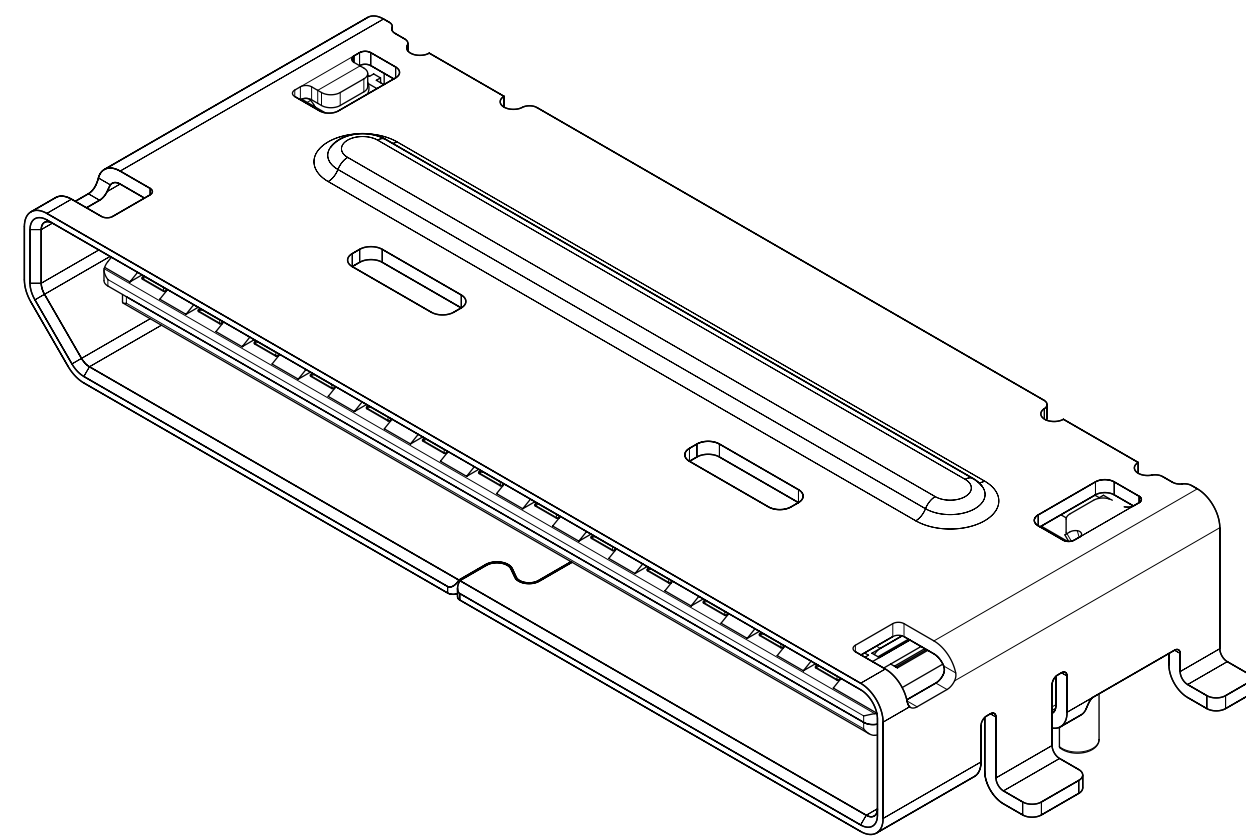
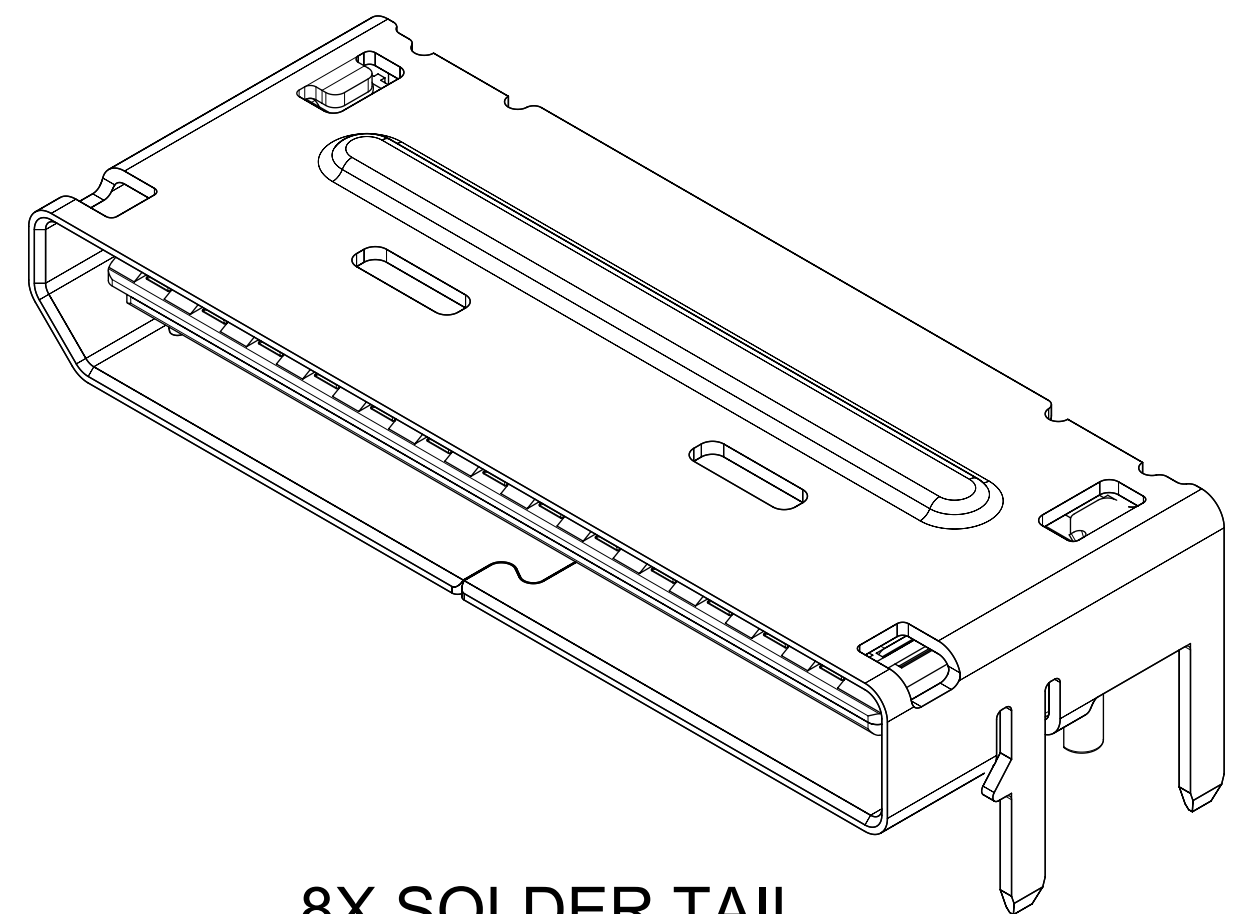


STATUS	MATERIAL NUMBER	SHELL ATTACH OPTION	DIM "T"
TOOLED	173162-0131	SMT	-
TOOLED	173162-0132	TH	3.0
NOT TOOLED	173162-0133	TH	2.36
NOT TOOLED	173162-0134	TH	1.57



8X SMT



8X SOLDER TAIL

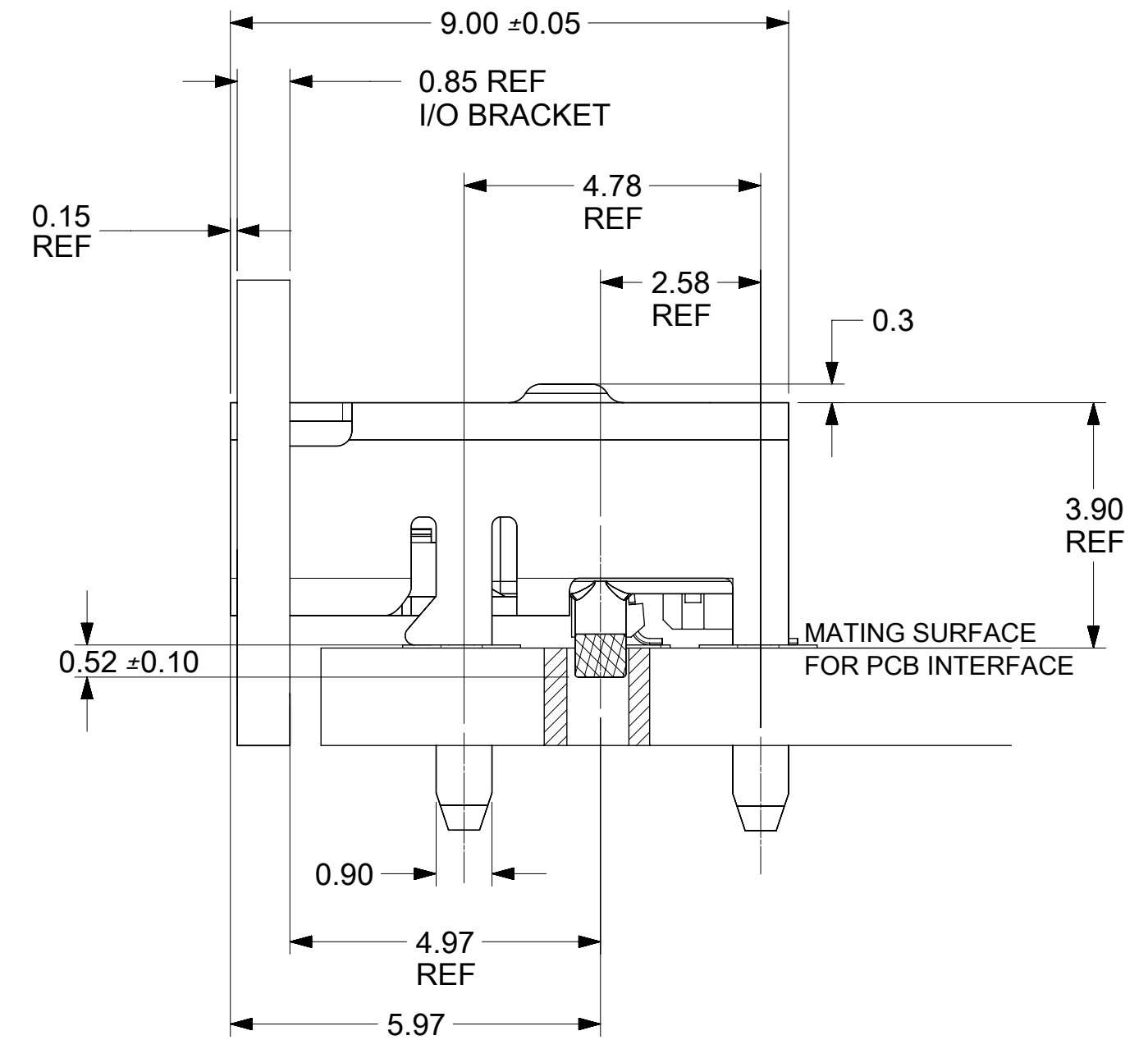
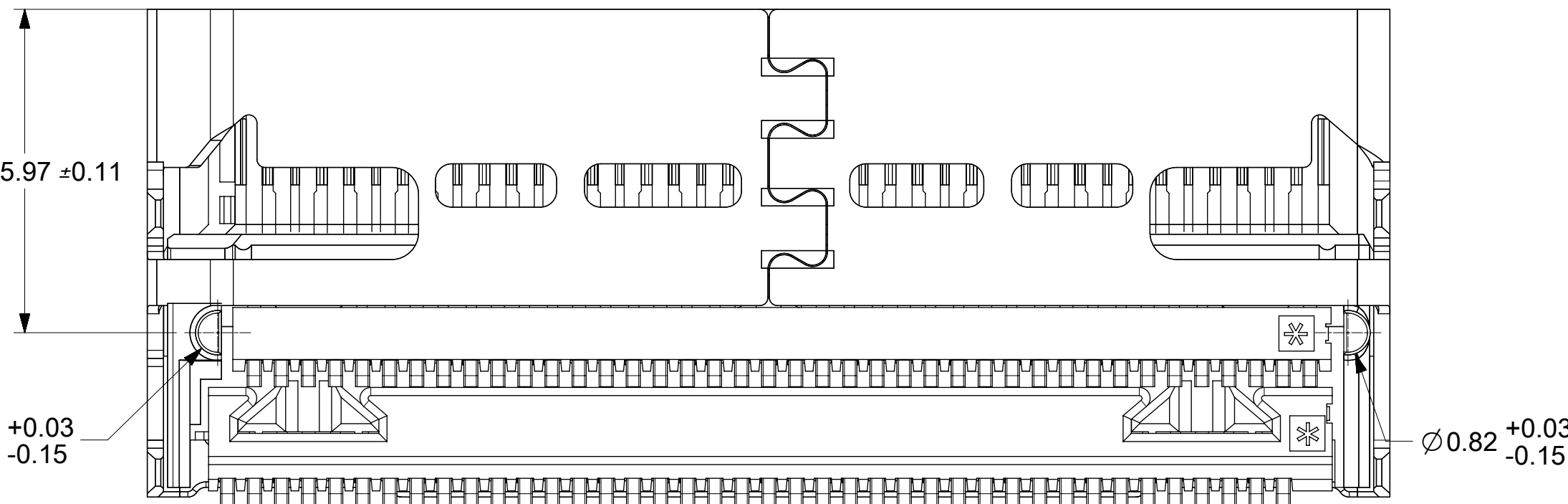
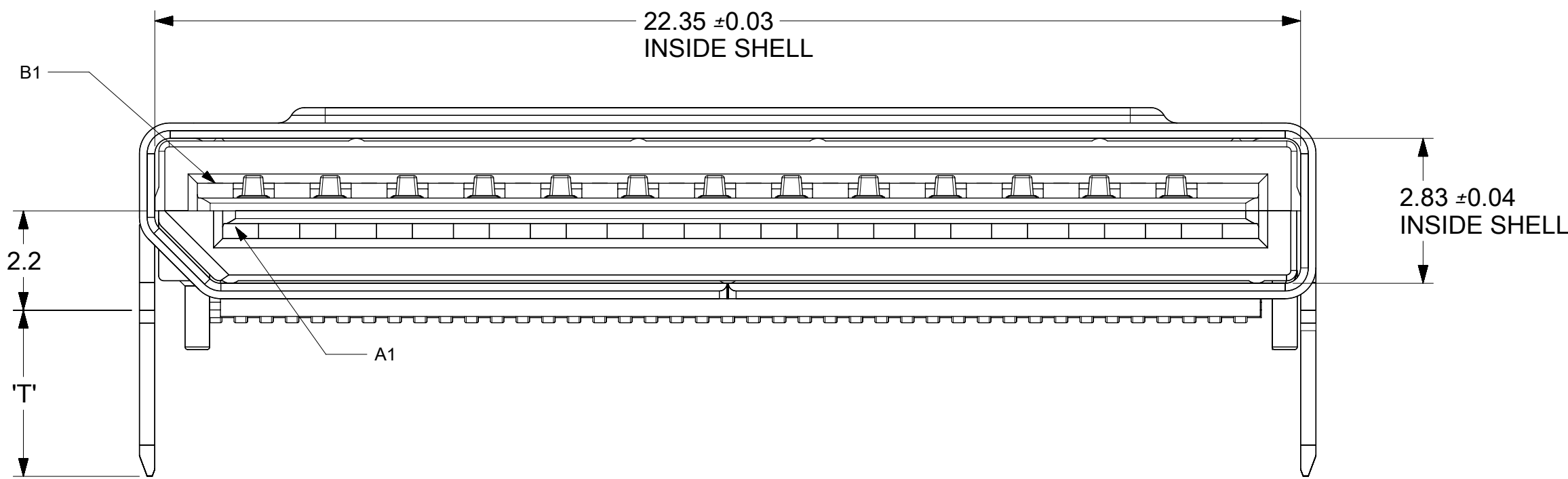
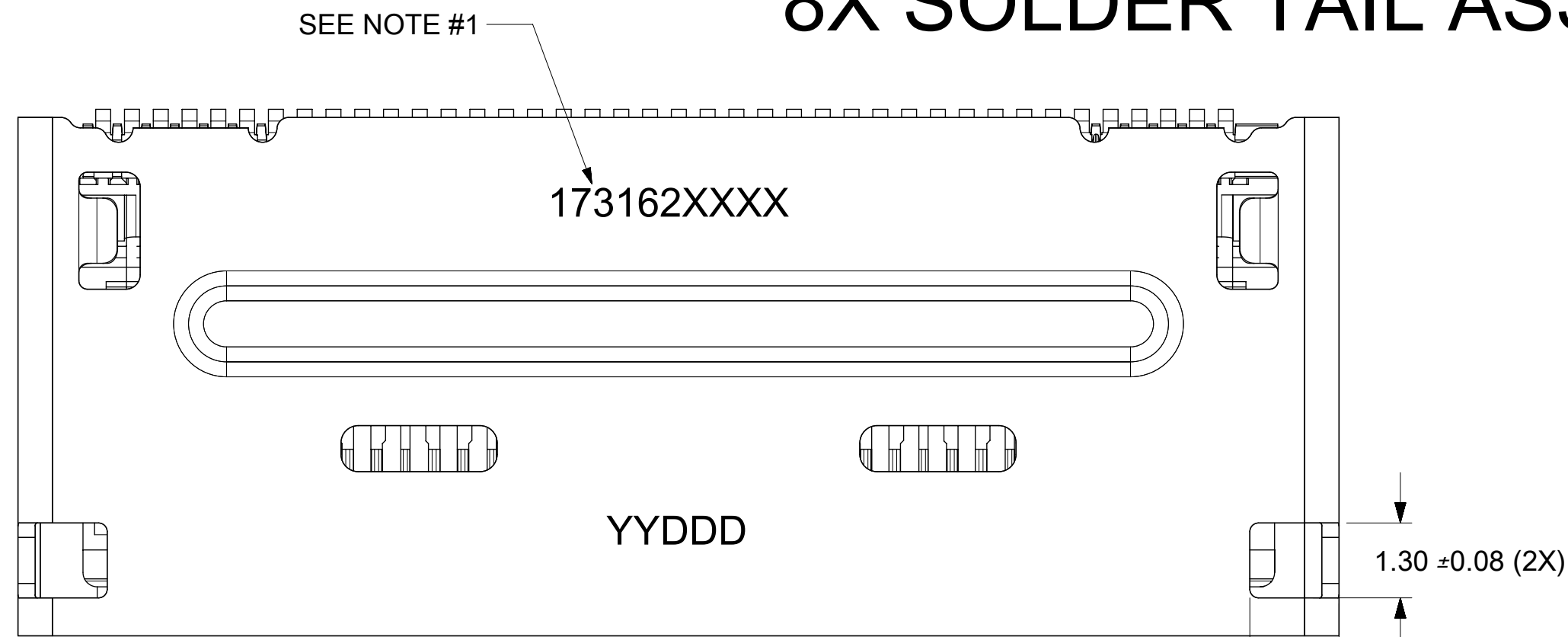
NOTES:

1. MATERIALS:
HOUSING - GLASS FILLED THERMOPLASTIC, 94V-0
CONTACTS - HIGH PERFORMANCE COPPER ALLOY
SHIELD - STAINLESS STEEL
2. FINISH:
CONTACTS - 0.76µm MIN. GOLD MATING SIDE
F1 0.05µm GOLD FLASH ON SOLDER TAILS
1.27µm MIN. NICKEL UNDERPLATE OVERALL

SHIELD - MATTE TIN OVER 1.27µm MIN. NICKEL
3. PRODUCT SPECIFICATION: PS-173162-0001
4. PACKAGING SPECIFICATION: PK-173307-0001
5. MATES WITH: MOLEX CABLE SERIES 200226 OR 200227
PER INDUSTRY STANDARD PCIe OCuLink 1.0, SFF-8611
6. APPLICATION SPECIFICATION: AS-173162-0001
7. COSMETIC SPECIFICATION: PS-45499-002, CLASS B
8. ASSEMBLY PART NUMBER AND DATE CODE TO BE LOCATED APPROXIMATELY AS SHOWN, DATE CODE TO SHOW THE DATE AND YEAR OF ASSEMBLY (DDYY OR YDDD)

THIS DRAWING CONTAINS INFORMATION THAT IS PROPRIETARY TO MOLEX ELECTRONIC TECHNOLOGIES, LLC AND SHOULD NOT BE USED WITHOUT WRITTEN PERMISSION												
SEE REVISION TABLE	2019/06/13	2019/06/17	2019/06/17	GENERAL TOLERANCES (UNLESS SPECIFIED)		DIMENSION UNITS	SCALE	molex				
	619011	CCHEN103	JKACHLIC	MM	INCH	MM	10:1					
	DRWN:	CHKD:	REV / APPR:	4 PLACES	±	±	DRWN BY	DATE	NANO PITCH I/O FIXED 25GB RIGHT ANGLE 8X			
	2019/06/17	JKACHLIC	JKACHLIC	3 PLACES	±	±	BJANOWIAK	2015/05/11				
	EC NO:	2 PLACES	± 0.13	±	CHK'D BY	DATE	PRODUCT CUSTOMER DRAWING					
	619011	1 PLACES	± 0.25	±	APPR BY	DATE						
0 PLACES	±	±	MBANAKIS	2015/09/18	SERIES MATERIAL NUMBER CUSTOMER 173162 SEE CHART GENERAL MARKET							
ANGULAR TOL = 0.5	DRAWING SIZE		THIRD ANGLE PROJECTION									
DRAFT WHERE APPLICABLE MUST REMAIN WITHIN DIMENSIONS				C	C		SD-173162-0001		PSD	001	1 OF 6	

8X SOLDER TAIL ASSEMBLY

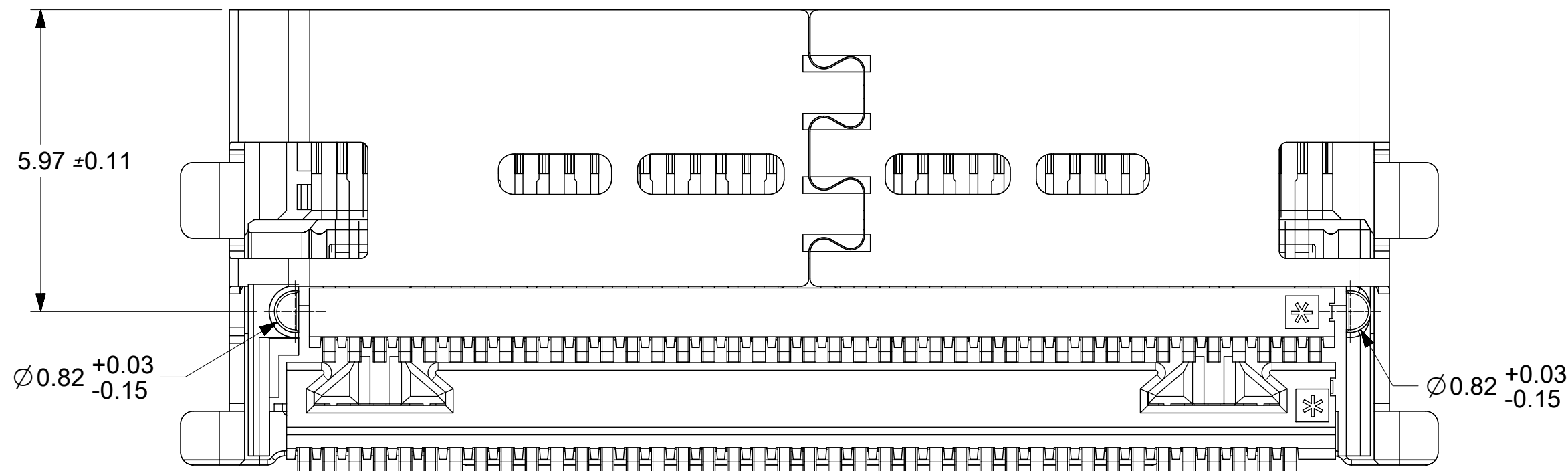
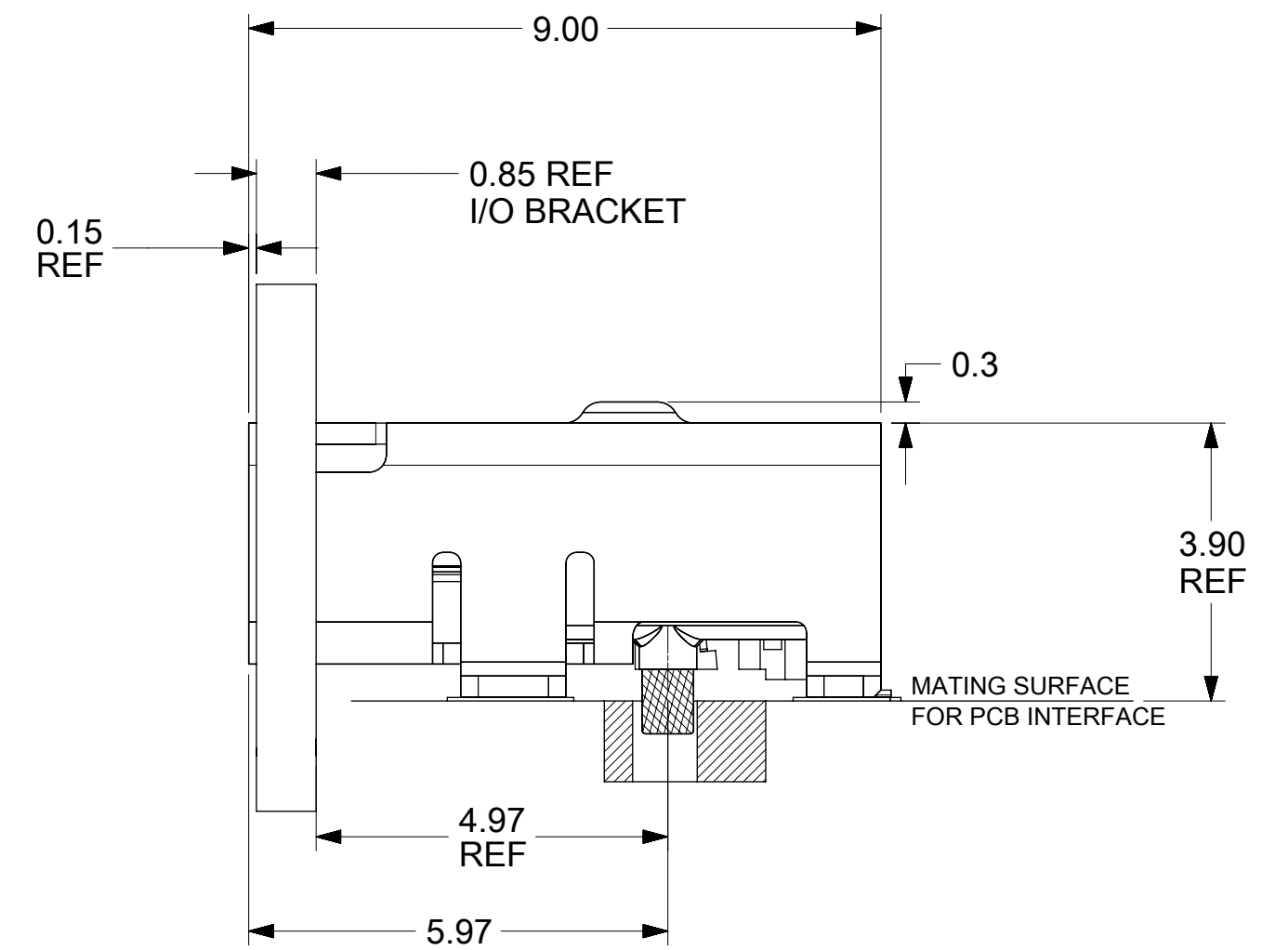
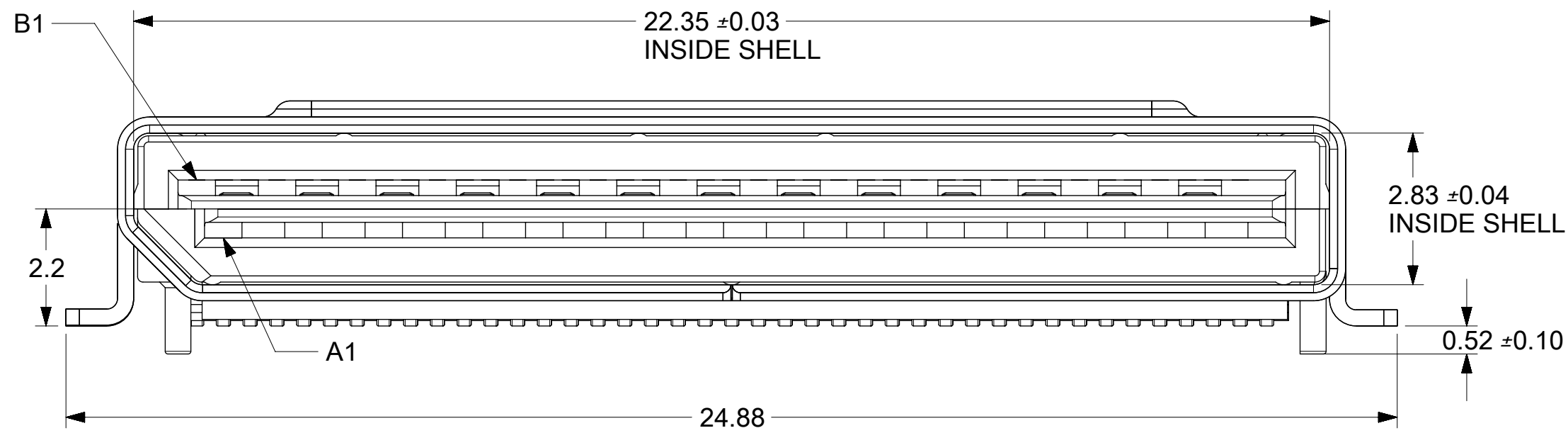
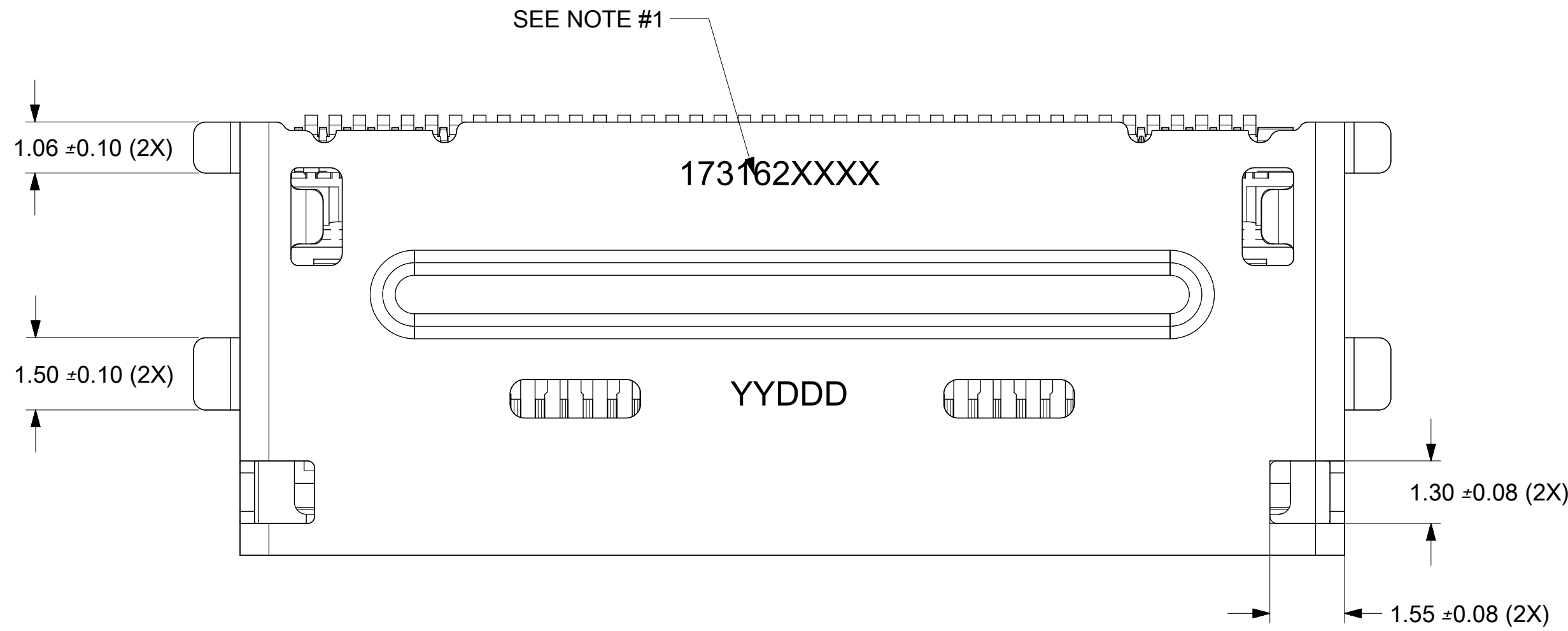


- NOTES:
1. MANUFACTURED DATE CODE (JULIAN CALENDAR) AND PART NUMBER
 2. SOLDER TAIL COPLANARITY, 0.10 MAX

THIS DRAWING CONTAINS INFORMATION THAT IS PROPRIETARY TO MOLEX ELECTRONIC TECHNOLOGIES, LLC AND SHOULD NOT BE USED WITHOUT WRITTEN PERMISSION

SEE REVISION TABLE		GENERAL TOLERANCES (UNLESS SPECIFIED)		DIMENSION UNITS		SCALE			
EC NO.	DRWN	MM	INCH	MM	DATE	10:1			
619011	2019/06/13	4 PLACES	±	MM	BJANOWIAK	2015/05/11			
DRWN: CHEN103	2019/06/17	3 PLACES	±	INCH	CHK'D BY	DATE			
CHKD: JKACHLIC	2019/06/17	2 PLACES	± 0.13		APPR BY	DATE			
REV / APPR: JKACHLIC		1 PLACES	± 0.25		MBANAKIS	2015/09/18			
		0 PLACES	±		DRAWING SIZE	THIRD ANGLE PROJECTION			
		ANGULAR TOL = 0.5		C					
		DRAFT WHERE APPLICABLE MUST REMAIN WITHIN DIMENSIONS							
		PRODUCT CUSTOMER DRAWING		SERIES		MATERIAL NUMBER		CUSTOMER	
				173162		SEE SHEET 1		GENERAL MARKET	
				DOCUMENT NUMBER		DOC TYPE		DOC PART	
				SD-173162-0001		PSD		001	
				SHEET NUMBER		SHEET NUMBER		SHEET NUMBER	
				2 OF 6		2 OF 6		2 OF 6	

8X SMT ASSEMBLY



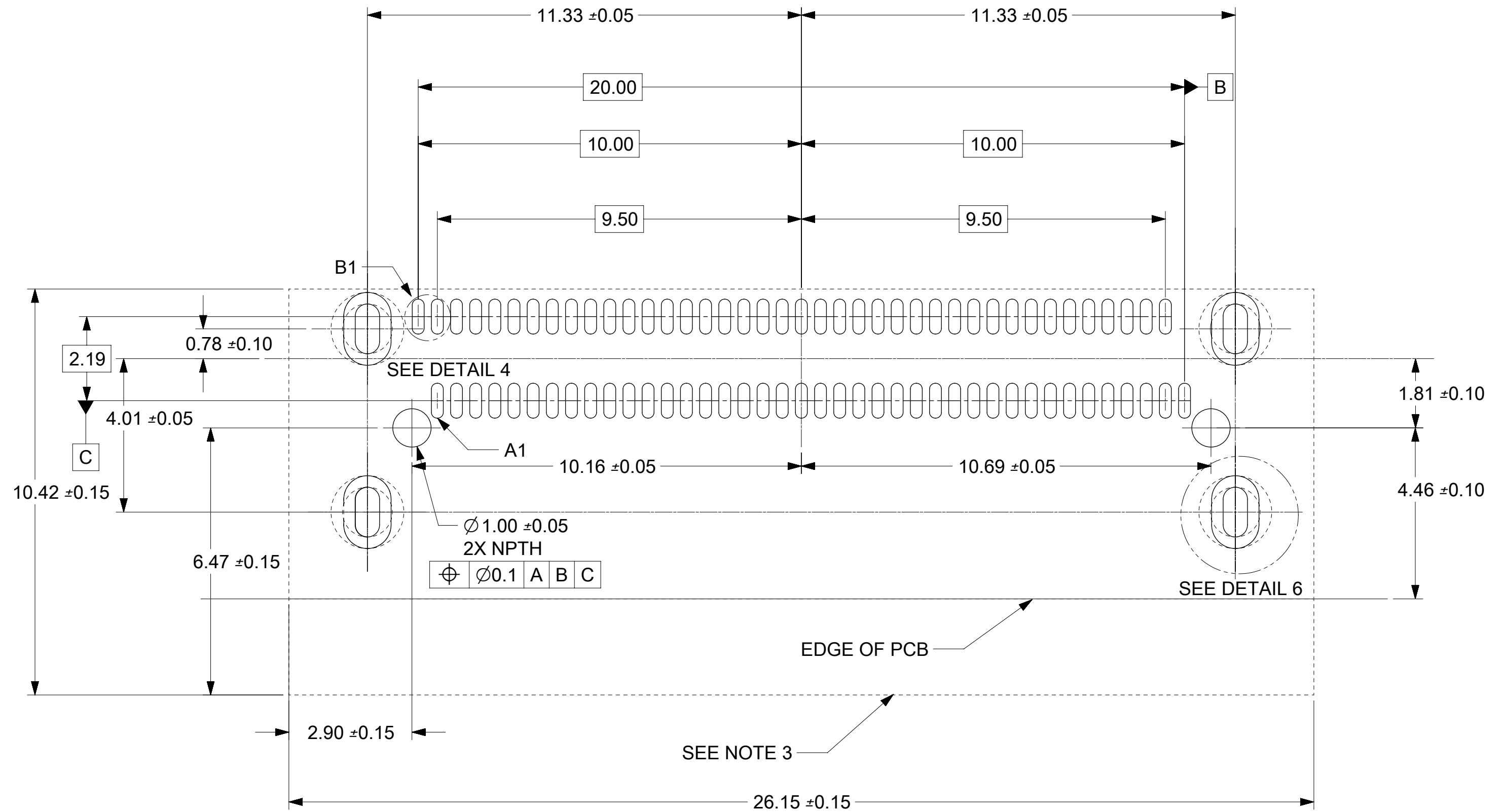
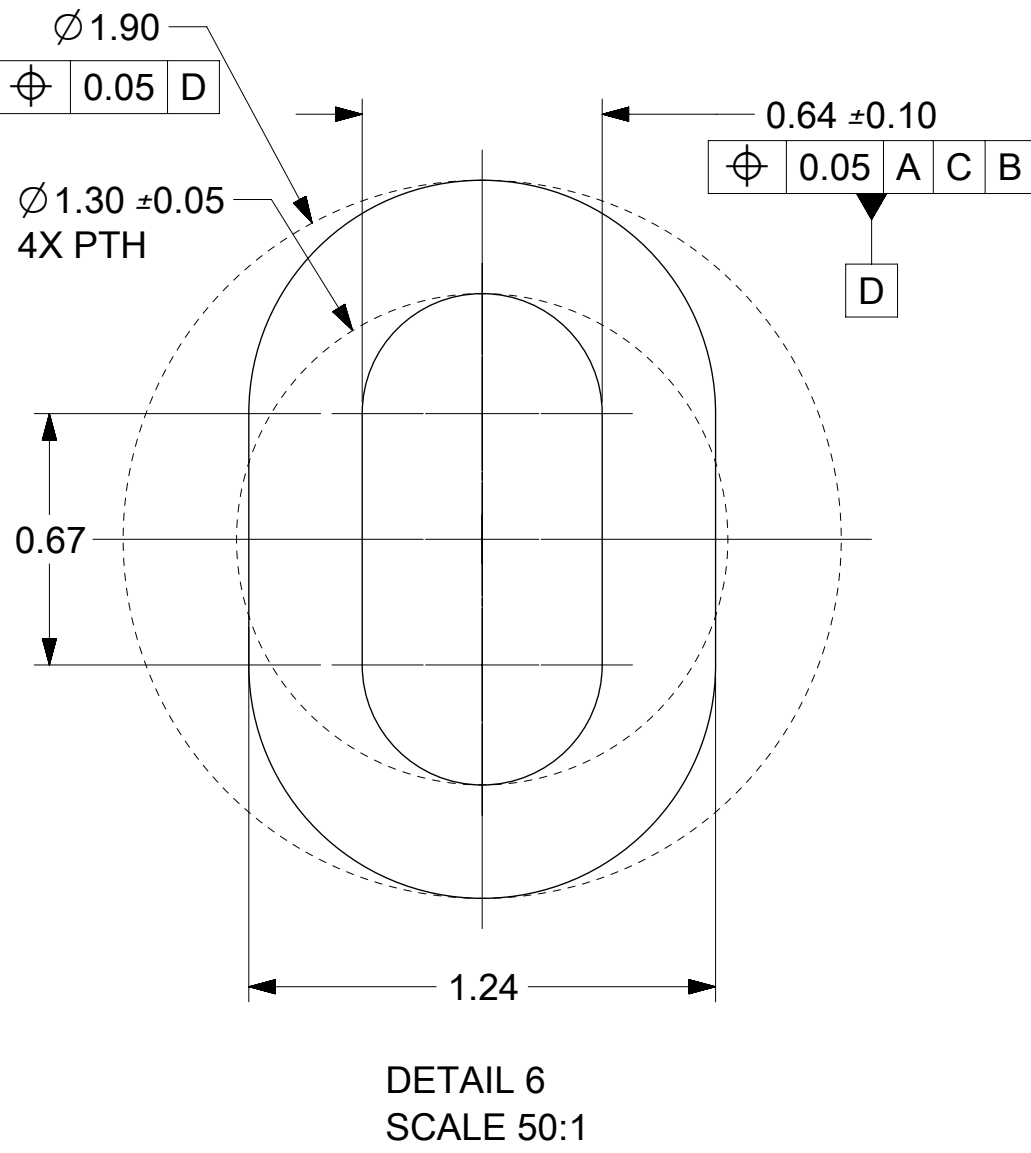
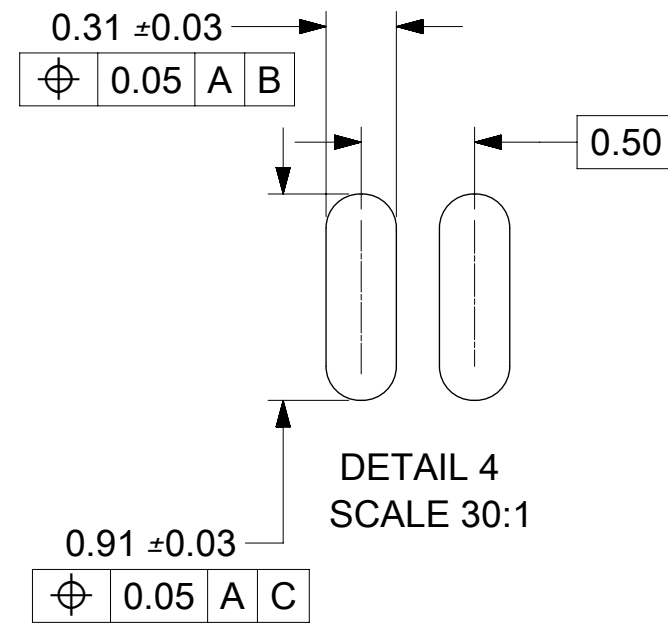
NOTES:

1. MANUFACTURED DATE CODE (JULIAN CALENDAR) AND PART NUMBER
2. SOLDER TAIL COPLANARITY, 0.10 MAX

THIS DRAWING CONTAINS INFORMATION THAT IS PROPRIETARY TO MOLEX ELECTRONIC TECHNOLOGIES, LLC AND SHOULD NOT BE USED WITHOUT WRITTEN PERMISSION

SEE REVISION TABLE	2019/06/13	2019/06/17	2019/06/17	GENERAL TOLERANCES (UNLESS SPECIFIED)	DIMENSION UNITS	SCALE				
	619011	CCHEN103	JKACHLIC	MM INCH	MM	10:1				
	4 PLACES	±	±	DRWN BY	DATE	NANO PITCH I/O FIXED 25GB RIGHT ANGLE 8X				
	3 PLACES	±	±	BJANOWIAK	2015/05/11					
	2 PLACES	±	0.13	±	CHK'D BY	DATE	PRODUCT CUSTOMER DRAWING			
1 PLACES	±	0.25	±	MBANAKIS	2015/09/18					
0 PLACES	±	±	±	APPR BY	DATE	SERIES	MATERIAL NUMBER	CUSTOMER		
				ANGULAR TOL = 0.5	DRAWING SIZE	THIRD ANGLE PROJECTION	173162	SEE SHEET 1	GENERAL MARKET	
				DRAFT WHERE APPLICABLE MUST REMAIN WITHIN DIMENSIONS	C		DOCUMENT NUMBER	DOC TYPE	DOC PART	SHEET NUMBER
F1	REV	APPR	JKACHLIC				SD-173162-0001	PSD	001	3 OF 6

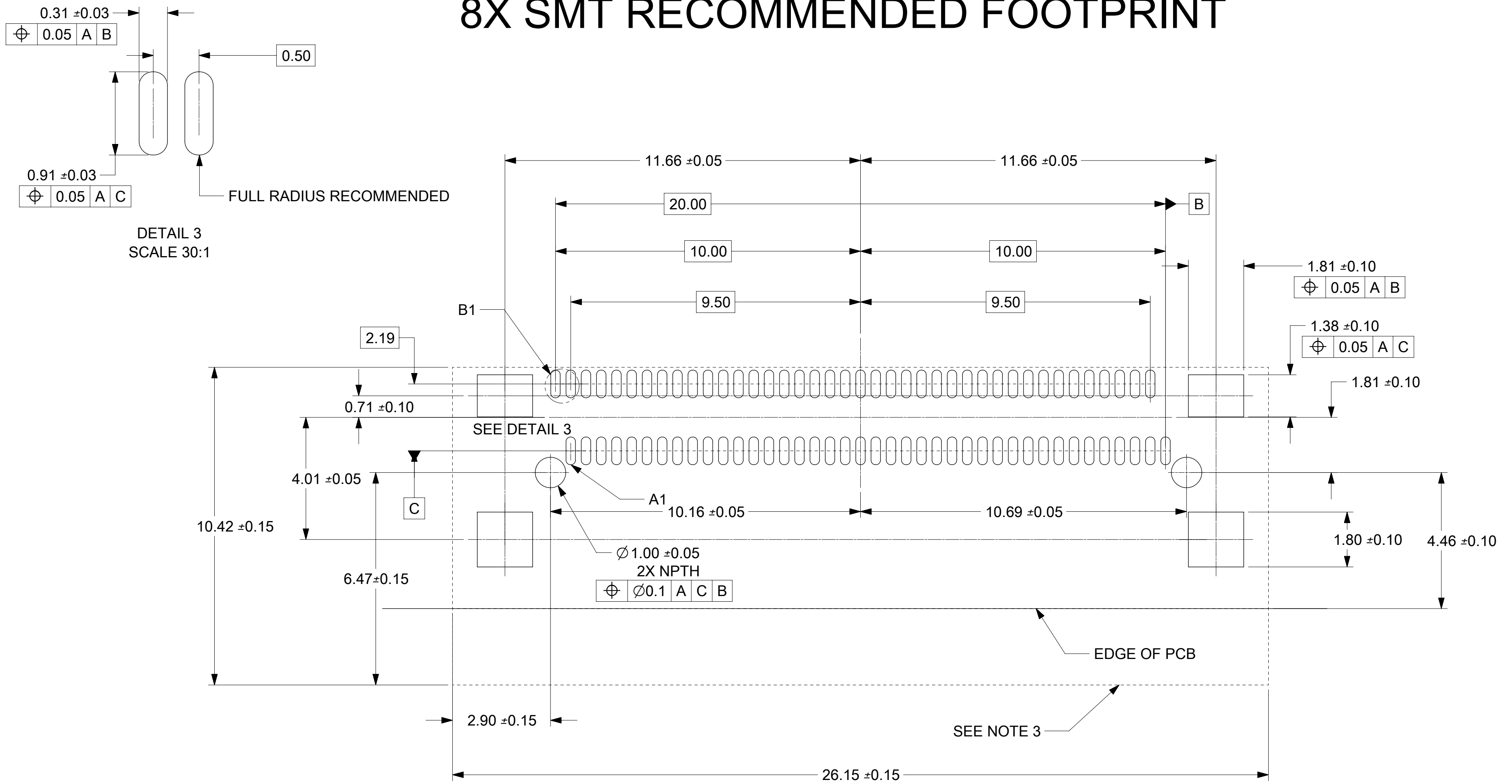
8X SOLDER TAIL RECOMMENDED FOOTPRINT



- NOTES:
1. MINIMUM RECOMMENDED SPACING BETWEEN ADJACENT CONNECTOR IS 28.50mm
 2. MINIMUM RECOMMENDED PCB THICKNESS: 1.57mm
 3. CONNECTOR KEEP OUT AREA
 4. DATUM -A- ESTABLISHED FROM TOP SURFACE OF PCB

THIS DRAWING CONTAINS INFORMATION THAT IS PROPRIETARY TO MOLEX ELECTRONIC TECHNOLOGIES, LLC AND SHOULD NOT BE USED WITHOUT WRITTEN PERMISSION										
SEE REVISION TABLE	2019/06/13	GENERAL TOLERANCES (UNLESS SPECIFIED)		DIMENSION UNITS		SCALE				
	2019/06/17	MM	INCH	MM	10:1					
	2019/06/17	4 PLACES	±	±	DRWN BY	DATE	NANO PITCH I/O FIXED 25GB RIGHT ANGLE 8X PRODUCT CUSTOMER DRAWING			
	EC NO: 619011	3 PLACES	±	±	BJANOWIAK	2015/05/11				
	DRWN: CHEN103	2 PLACES	±	0.13	±	CHK'D BY				DATE
CHKD: JKACHLIC	1 PLACES	±	0.25	±	APPR BY	DATE				
REV / APPR: JKACHLIC	0 PLACES	±	±	±	MBANAKIS	2015/09/18				
	ANGULAR TOL = 0.5			DRAWING SIZE	THIRD ANGLE PROJECTION		SERIES	MATERIAL NUMBER	CUSTOMER	
	DRAFT WHERE APPLICABLE MUST REMAIN WITHIN DIMENSIONS			C			173162	SEE SHEET 1	GENERAL MARKET	
F1						DOCUMENT NUMBER		DOC TYPE	DOC PART	SHEET NUMBER
						SD-173162-0001		PSD	001	4 OF 6

8X SMT RECOMMENDED FOOTPRINT

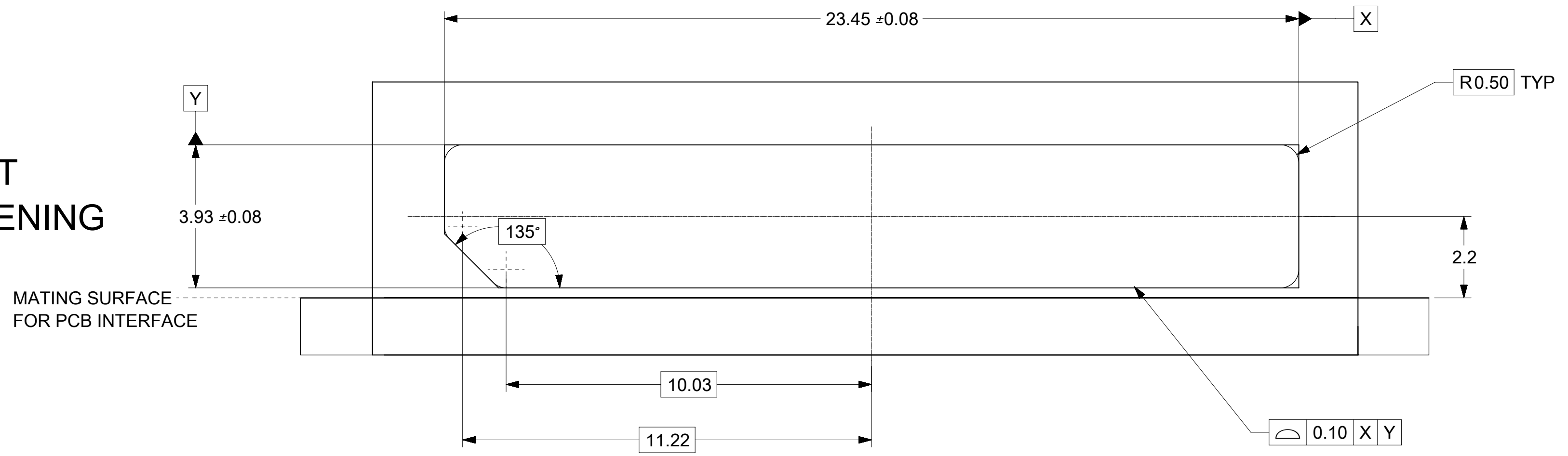


NOTES:

1. MINIMUM RECOMMENDED SPACING BETWEEN ADJACENT CONNECTOR IS 28.50mm
2. MINIMUM RECOMMENDED PCB THICKNESS: 1.57mm
3. CONNECTOR KEEP OUT AREA
4. DATUM -A- ESTABLISHED FROM TOP SURFACE OF PCB

THIS DRAWING CONTAINS INFORMATION THAT IS PROPRIETARY TO MOLEX ELECTRONIC TECHNOLOGIES, LLC AND SHOULD NOT BE USED WITHOUT WRITTEN PERMISSION											
SEE REVISION TABLE	2019/06/13	2019/06/17	2019/06/17	GENERAL TOLERANCES (UNLESS SPECIFIED)		DIMENSION UNITS	SCALE				
	619011	CCHEN103	JKACHLIC	MM	INCH	MM	10:1				
	4 PLACES	±	±	DRWN BY	DATE	BJANOWIAK		2015/05/11			
	3 PLACES	±	±	CHK'D BY	DATE						
	2 PLACES	±	0.13	±	APPR BY	DATE	MBANAKIS		2015/09/18		
1 PLACES	±	0.25	±	ANGULAR TOL = 0.5		DRAWING SIZE	THIRD ANGLE PROJECTION	NANO PITCH I/O FIXED 25GB RIGHT ANGLE 8X			
0 PLACES	±	±	±	DRAFT WHERE APPLICABLE MUST REMAIN WITHIN DIMENSIONS		C		PRODUCT CUSTOMER DRAWING			
F1	REV / APPR:	JKACHLIC	JKACHLIC					SERIES	MATERIAL NUMBER	CUSTOMER	
								173162	SEE SHEET 1	GENERAL MARKET	
								DOC NUMBER	DOC TYPE	DOC PART	SHEET NUMBER
								SD-173162-0001	PSD	001	5 OF 6

80 CIRCUIT PANEL OPENING



THIS DRAWING CONTAINS INFORMATION THAT IS PROPRIETARY TO MOLEX ELECTRONIC TECHNOLOGIES, LLC AND SHOULD NOT BE USED WITHOUT WRITTEN PERMISSION

SEE REVISION TABLE	EC NO: 619011	2019/06/13	GENERAL TOLERANCES (UNLESS SPECIFIED)		DIMENSION UNITS	SCALE		
	DRWN: CCHEN103	2019/06/17	MM	INCH	MM	10:1		
	CHKD: JKACHLIC	2019/06/17	4 PLACES	±	±	DRWN BY		DATE
	REV / APPR: JKACHLIC		3 PLACES	±	±	BJANOWIAK		2015/05/11
			2 PLACES	±	0.13	±		CHK'D BY
		1 PLACES	±	0.25	±	APPR BY	DATE	
		0 PLACES	±	±	±	MBANAKIS	2015/09/18	
					ANGULAR TOL = 0.5	DRAWING SIZE	THIRD ANGLE PROJECTION	
					DRAFT WHERE APPLICABLE MUST REMAIN WITHIN DIMENSIONS	C		
RELEASE STATUS		P1	RELEASE DATE	2019/06/17	04:51:41	PRODUCT CUSTOMER DRAWING		
SERIES		MATERIAL NUMBER		CUSTOMER		NANO PITCH I/O FIXED 25GB RIGHT ANGLE 8X		
173162		SEE SHEET 1		GENERAL MARKET				
DOCUMENT NUMBER		DOC TYPE	DOC PART	SHEET NUMBER				
SD-173162-0001		PSD	001	6 OF 6				