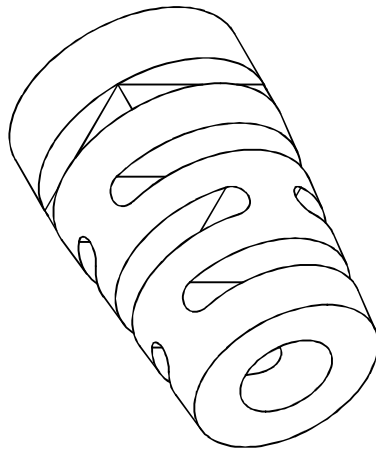
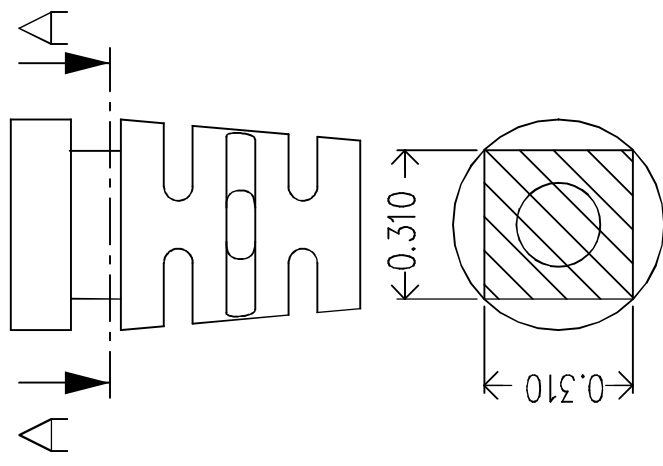
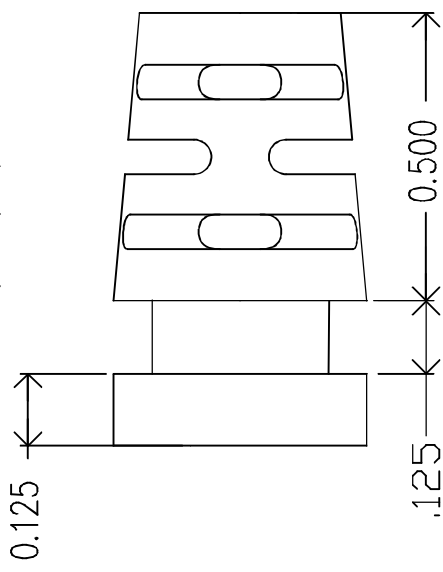
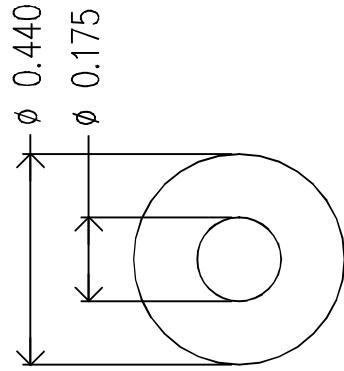


REVISIONS		DATE	APPROVED
ZONE	REV.		



MOLD MATERIAL ISC P/N: 5000214, PVC, M1472, BLACK, RoHS

DRAWN	NAME	DATE	ISC Engineering
R FIERRO	R FIERRO	01/19/04	4351 Schaefer Ave, Chino, CA 91710
CHECKED			Ph: 909-596-3315 Fax: 909-596-3335
ENG APPR.			www.iscengineering.com
MFG APPR.			www.overmoldtooling.com
D.A.			
COMMENTS:			
1461080-175-E-310x310-440-0			
SCALE: 3:1	WEIGHT:		
NEXT ASSY		USED ON	REV.
APPLICATION		DO NOT SCALE DRAWING	

Dimensions are subject to change.
 PROPRIETARY AND CONFIDENTIAL
 THE INFORMATION CONTAINED IN THIS DRAWING IS THE SOLE PROPERTY OF ISC ENGINEERING. ANY REPRODUCTION IN PART OR AS A WHOLE WITHOUT THE WRITTEN PERMISSION OF ISC ENGINEERING IS PROHIBITED.

ISC ENGINEERING
CONTROLLED COPY
 Rich Fierro 01/24/2019