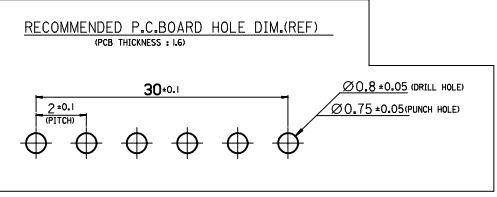


ISOMETRIC VIEW

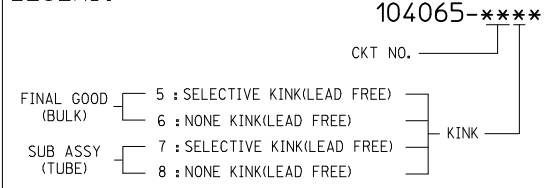


NOTES

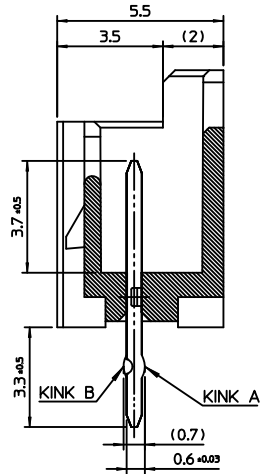
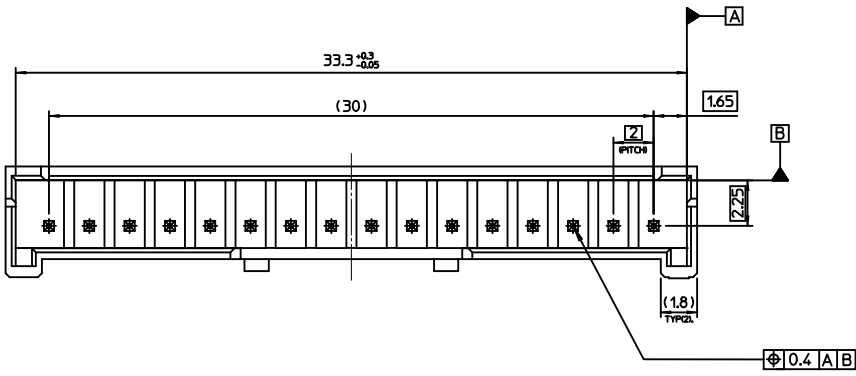
- MATERIAL : WAFER : GLASS-FILLED POLYAMIDE, UL94V-0
PIN : BRASS
- FINISH - TERMINAL: Sn 2-3 um OVERALL
- PRODUCT SPECIFICATION : PS-35507-003
- MATING HOUSING : 35507-160*
MATING TERMINAL : 50212-8000
- KINK

| CKT | CKT NO | | | | | | | | |
|-----|--------|---|---|---|---|-----|-----|---|--|
| | 1 | 2 | 3 | 4 | 5 | N-2 | N-1 | N | |
| 16 | - | A | B | - | - | B | A | - | |

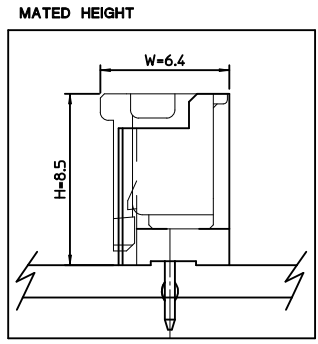
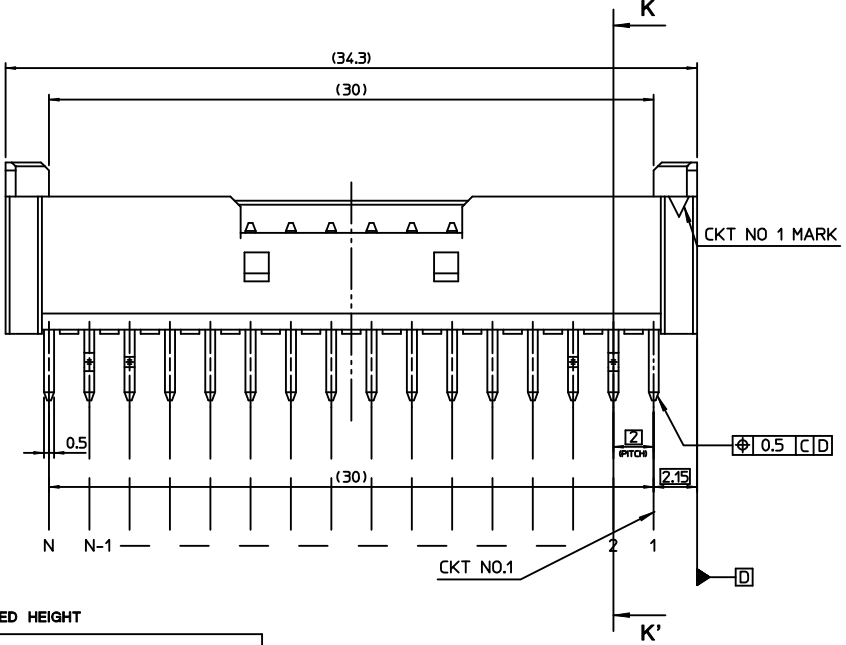
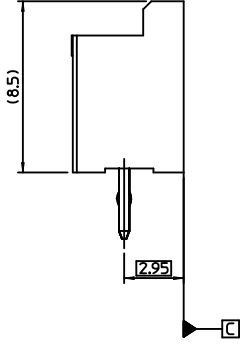
LEGEND.



| | |
|--------------|-----|
| 1040651676 | I6 |
| MATERIAL NO. | CKT |



SECTION K-K'

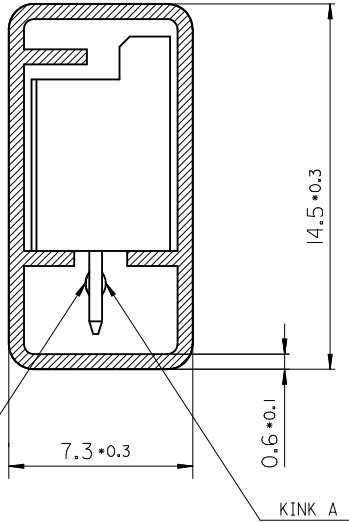
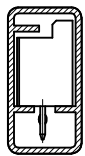
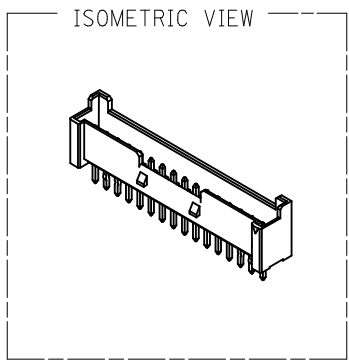
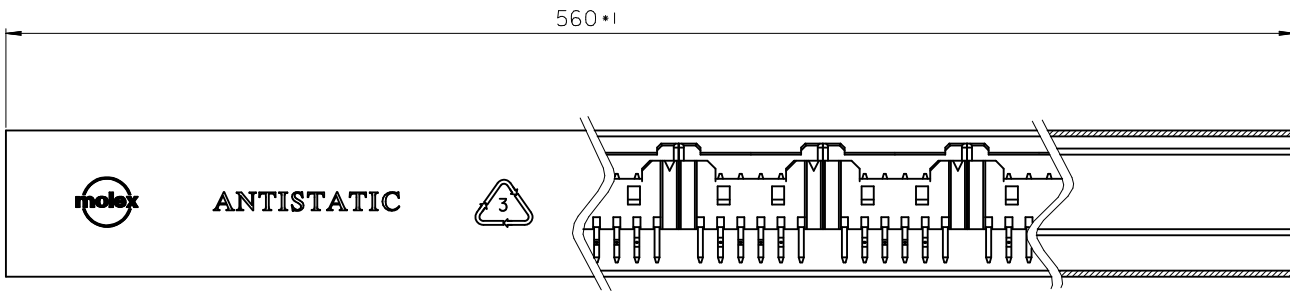


HALOGEN FREE

| | | |
|---|-----------------|-------------|
| NER RELEASE EC NO: KOR2010-0200 DRWN:SMAM 2010/06/28 CHKD:YMOOK IM 2010/06/28 APPR:YUNSIKKIM 2010/06/28 | QUALITY SYMBOLS | DESCRIPTION |
| | ▽=0 ◻=0 | |

| | | |
|--|----------------|-------|
| GENERAL TOLERANCES (UNLESS SPECIFIED) | mm | INCH |
| | 4 PLACES ± --- | ± --- |
| 3 PLACES ± --- | ± --- | |
| 2 PLACES ± --- | ± --- | |
| 1 PLACE ± 0.25 | ± --- | |
| ANGULAR ± 3 ° | | |
| DRAFT WHERE APPLICABLE MUST REMAIN WITHIN DIMENSIONS | | |

| | | | | |
|-----------------|------------|---|--------------|------------------------|
| DIMENSION STYLE | | SCALE | DESIGN UNITS | THIRD ANGLE PROJECTION |
| MM ONLY | | 1:1 | METRIC | |
| DRAWN BY | DATE | TITLE | | |
| JHLEE05 | 2009/09/02 | NEW 2.0 W/B CONN. WAFER FREE -HALOGEN FREE- | | |
| CHECKED BY | DATE | MOLEX INCORPORATED | | |
| YSOOKIM | 2009/09/02 | DOCUMENT NO. SD-104065-001 | | |
| APPROVED BY | DATE | SHEET NO. 1 OF 1 | | |
| YSOOKIM | 2009/09/02 | THIS DRAWING CONTAINS INFORMATION THAT IS PROPRIETARY TO MOLEX INCORPORATED AND SHOULD NOT BE USED WITHOUT WRITTEN PERMISSION | | |
| MATERIAL NO. | SIZE | | | |
| SEE TABLE | A3 | | | |



LEGEND.

104065 - 16 Z *

CKT NO. ———— COLOR & PACKING

- 0 - NATURAL
- 6 - TUBE PACKING (Natural Color)
- 7 - TUBE PACKING (RED Color)
- 8 - TUBE PACKING (BLUE Color)

Final GOOD (Bulk) ———— KINK

- 5 - SELECTIVE KINK
- 6 - NONE KINK

Sub Assy (Tube) ———— KINK

- 7 - SELECTIVE KINK
- 8 - NONE KINK

NOTES

1. MATERIAL : TUBE - TRANSLUCENT P.V.C
Wafer - POLYAMIDE, UL94V-0
PIN - BRASS SQ 0.5mm
2. BOW(CAMBER): 1.0mm MAX/Total Length
3. DIMENSIONS GIVEN ACROSS CENTER LINES ARE SYMMETRICAL ABOUT THOSE CENTER LINES WITH HALF THE TOTAL LENGTH.
4. TOTAL TUBE LENGTH : 560mm ± 1mm
5. TWIST : 5° MAX./Total Length
6. BURRS : 0.2mm MAX.
7. SKEW : PRODUCTS MUST BE FLOWED SMOOTHLY WHEN THIS STICK IS PLACES 30° ANGLE.
8. THICKNESS : 0.6mm ± 0.1mm
9. ARTWORK : PER E-35900-0434 (SILK SCREEN COLOR : RED)
10. APPLICABLE STOPPER(RUBBER) : 35900-0435

KINK TABLE

| CKT NO | 1 | 2 | 3 | 4 | 5 | N-2 | N-1 | N |
|--------|---|---|---|---|---|-----|-----|---|
| 16 | - | A | B | - | - | B | A | - |

| | | |
|------|--------------|-----|
| 15 | 1040651676 | 16 |
| QT'y | MATERIAL NO. | CKT |

HOLOGEN FREE

| | | | | | | | | | |
|--|--|---------------------------------------|-------------|---|--------------------|---|--------------|------------------------|--|
| NEW RELEASE EC NO: KOR2010-0200 DRWN:SMAM 2010/06/28 CHKD:YSOOKIM 2010/06/28 APPR:YUNSIKKIM 2010/06/28 | QUALITY SYMBOLS | GENERAL TOLERANCES (UNLESS SPECIFIED) | | DIMENSION STYLE | | SCALE | DESIGN UNITS | THIRD ANGLE PROJECTION | |
| | ▼=0 ◻=0 | mm | INCH | MM ONLY | | 1:1 | METRIC | | |
| | | 4 PLACES ± --- | ± --- | DRAWN BY | DATE | TITLE | | | |
| | | 3 PLACES ± --- | ± --- | JHLEE05 | 2009/09/02 | NEW 2.0 W/B CONN. WAFER ASSY -HALOGEN FREE- | | | |
| | 2 PLACES ± --- | ± --- | CHECKED BY | DATE | MOLEX INCORPORATED | | | | |
| | 1 PLACE ± 0.25 | ± --- | YSOOKIM | 2009/09/02 | | | | | |
| | ANGULAR ± 3 ° | | APPROVED BY | DATE | DOCUMENT NO. | | SHEET NO. | | |
| | DRAFT WHERE APPLICABLE MUST REMAIN WITHIN DIMENSIONS | | YSOOKIM | 2009/09/02 | SD-104065-002 | | 1 OF 1 | | |
| | | | SIZE | THIS DRAWING CONTAINS INFORMATION THAT IS PROPRIETARY TO MOLEX INCORPORATED AND SHOULD NOT BE USED WITHOUT WRITTEN PERMISSION | | | | | |
| | | | A3 | | | | | | |