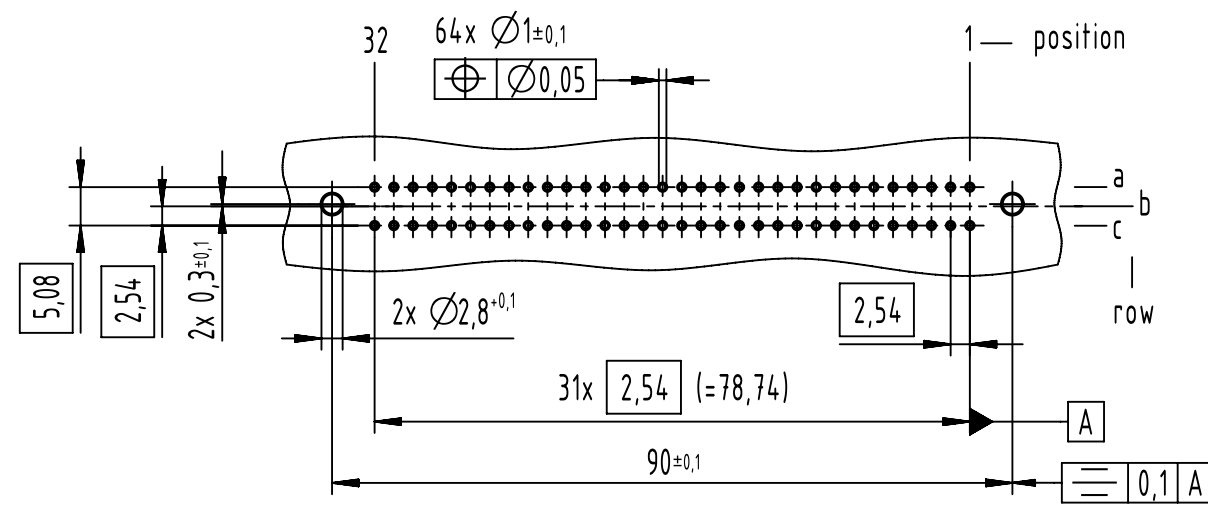


1 2 3 4 5 6 7 8

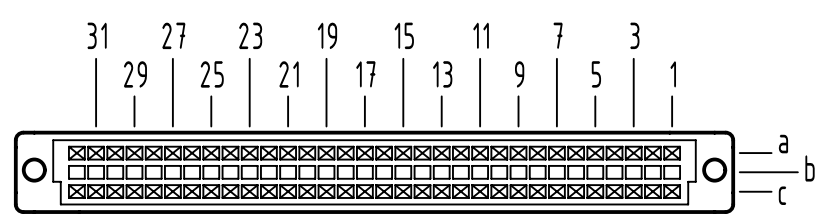
A  
B  
C  
D  
E  
F

A  
B  
C  
D  
E  
F

**A**  
board drillings



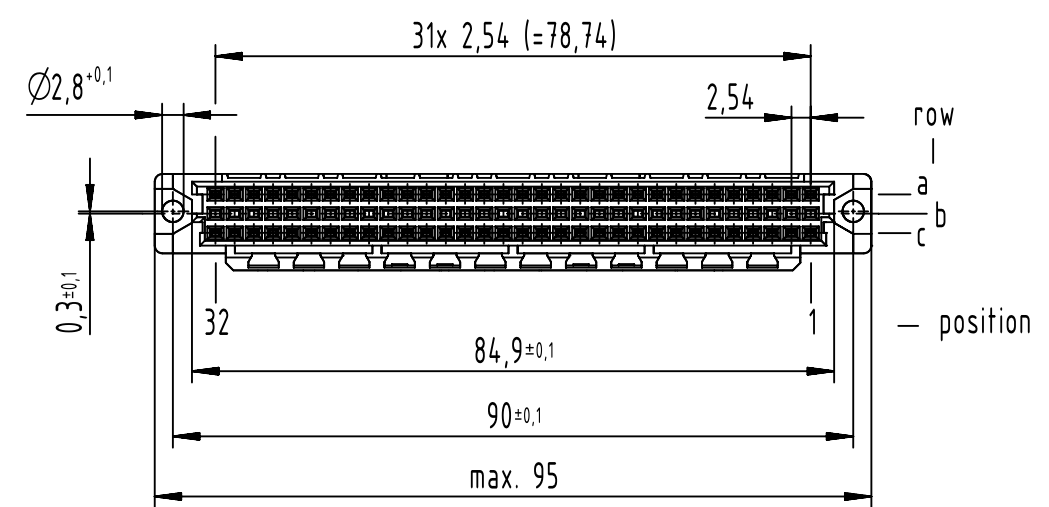
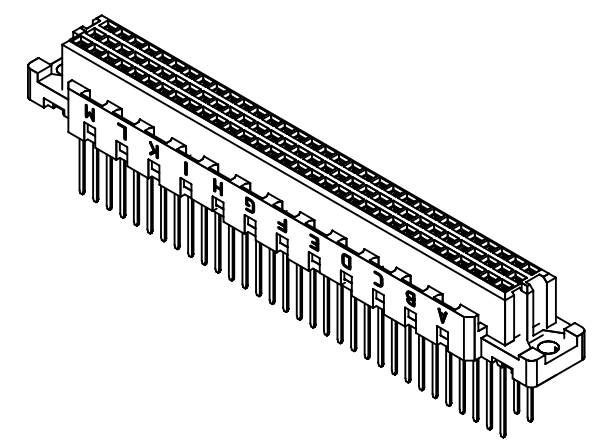
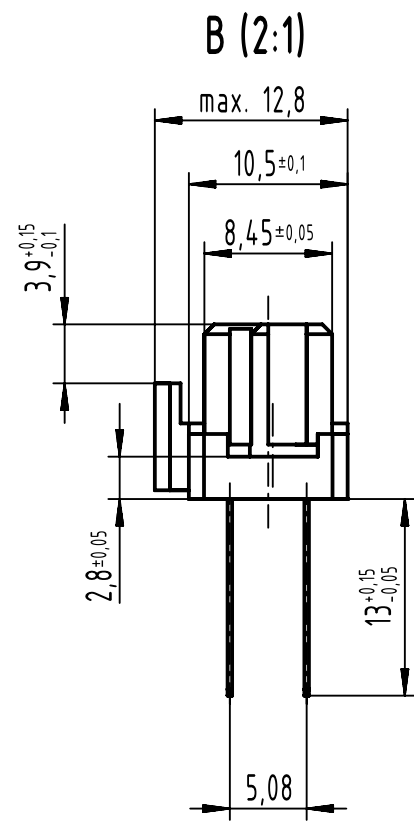
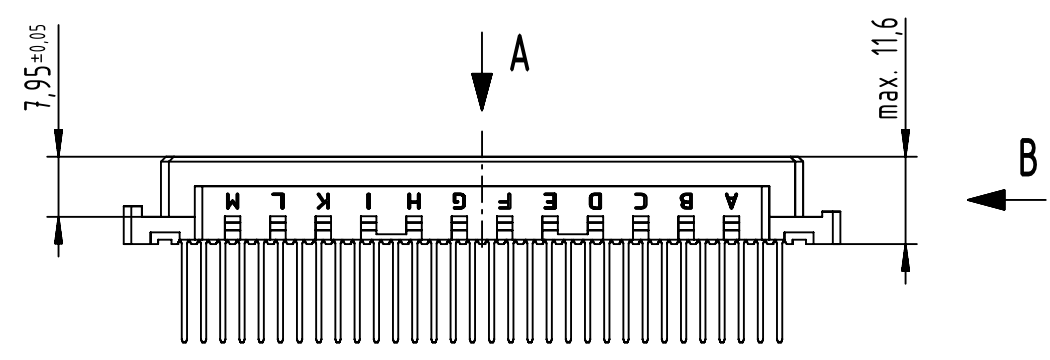
**A**  
contact arrangement



64 solder contacts

☒ = solder contact

□ = position without contact



further information see product data sheet

09 03 764 6421	2
part no.	performance level

All rights reserved Department EL PD HARTING D-32339 Espelkamp	All Dimensions in mm Original Size DIN A3	Scale 1:1	Free size tol. IEC 60603-2	Ref. Sub.	Created by STORCK	Inspected by LEHNERT	Standardisation 302077	Date 2021-03-23	State Final Release	Doc-Key / ECM-Nr. 100173852/UGD/266/F 500000191082
	Title <b>DIN Signal type C female solder 13.0 w. coding 64-pole</b>	Type <b>TB</b>	Number <b>0903764X421</b>	Rev. <b>F</b>	Page 1/1					

1 2 3 4 5 6 7 8